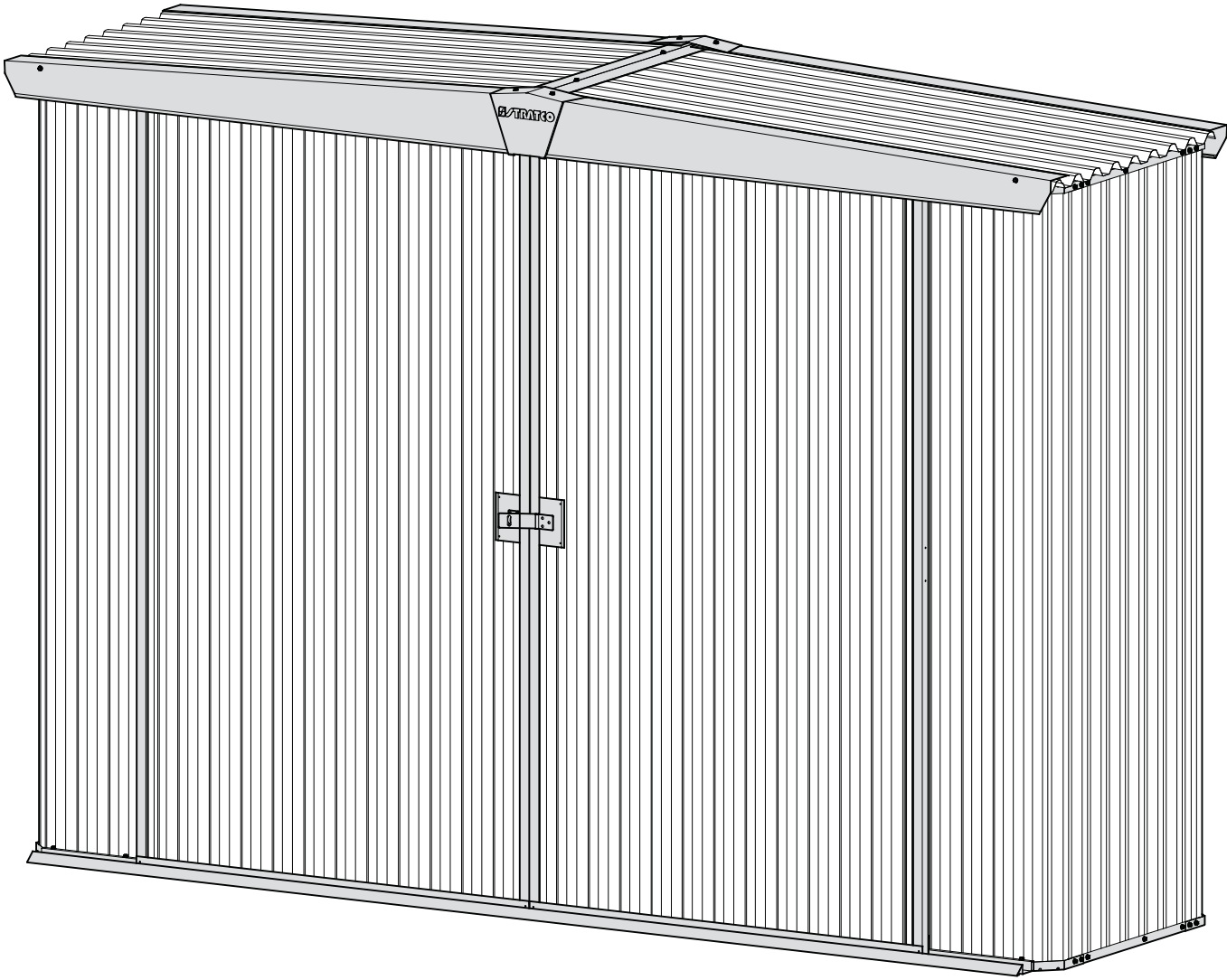




Handi-Mate Shed™ - Locker

TYPE HML

FREE
INSTALLATION VIDEO
ON THE WEB AT
www.stratco.com.au



HMLOHMLME

HMLOHMLRG



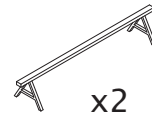
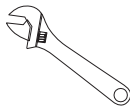
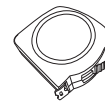
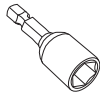
BEFORE YOU START

Prior to installation, it is important that you contact your local government authority to determine if building approval is required.

To ensure that the installation and erection of your Stratco Handi-Mate™ Shed proceeds smoothly you should confirm that all the components and materials listed on the delivery documentation and in this installation guide have been supplied. Carefully read this installation guide to familiarise yourself with all the steps involved, and ensure that you have the correct tools and equipment for the job. A free installation video is on the web at www.stratco.com.au under the Garden Shed section.

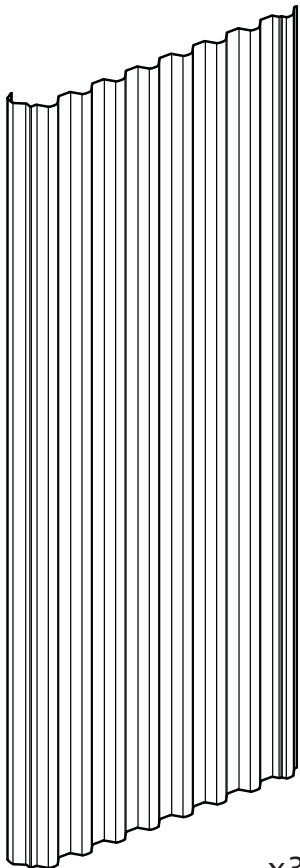
NOTE: Use heavy gloves when handling steel sheeting and flashings and never attempt to install a shed in windy conditions.

TOOLS REQUIRED



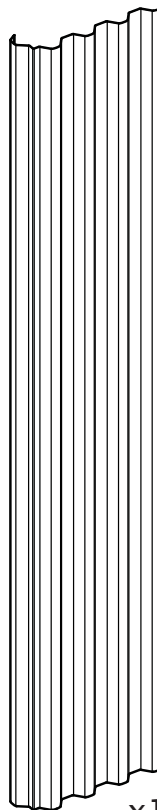
x2

COMPONENTS



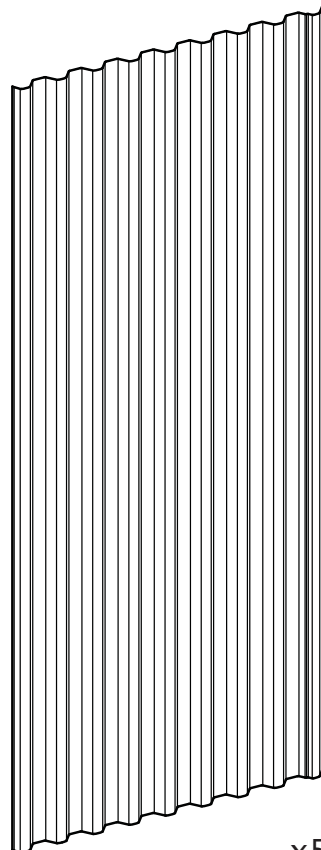
SSPHMWCNR1900## - WALL SHEET CORNER

x3



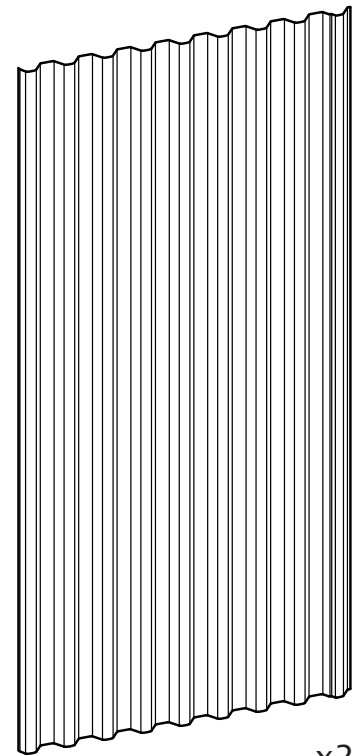
SSPHMWCNR1900## - WALL SHEET

x1



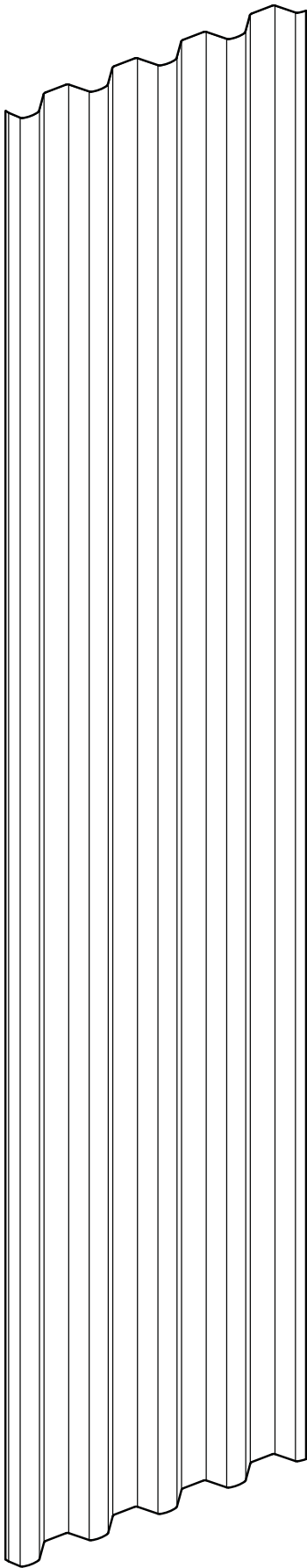
SSPHMWS1900## - WALL SHEET

x5

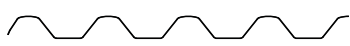


SSPHMRS1440AZ - ROOF SHEET

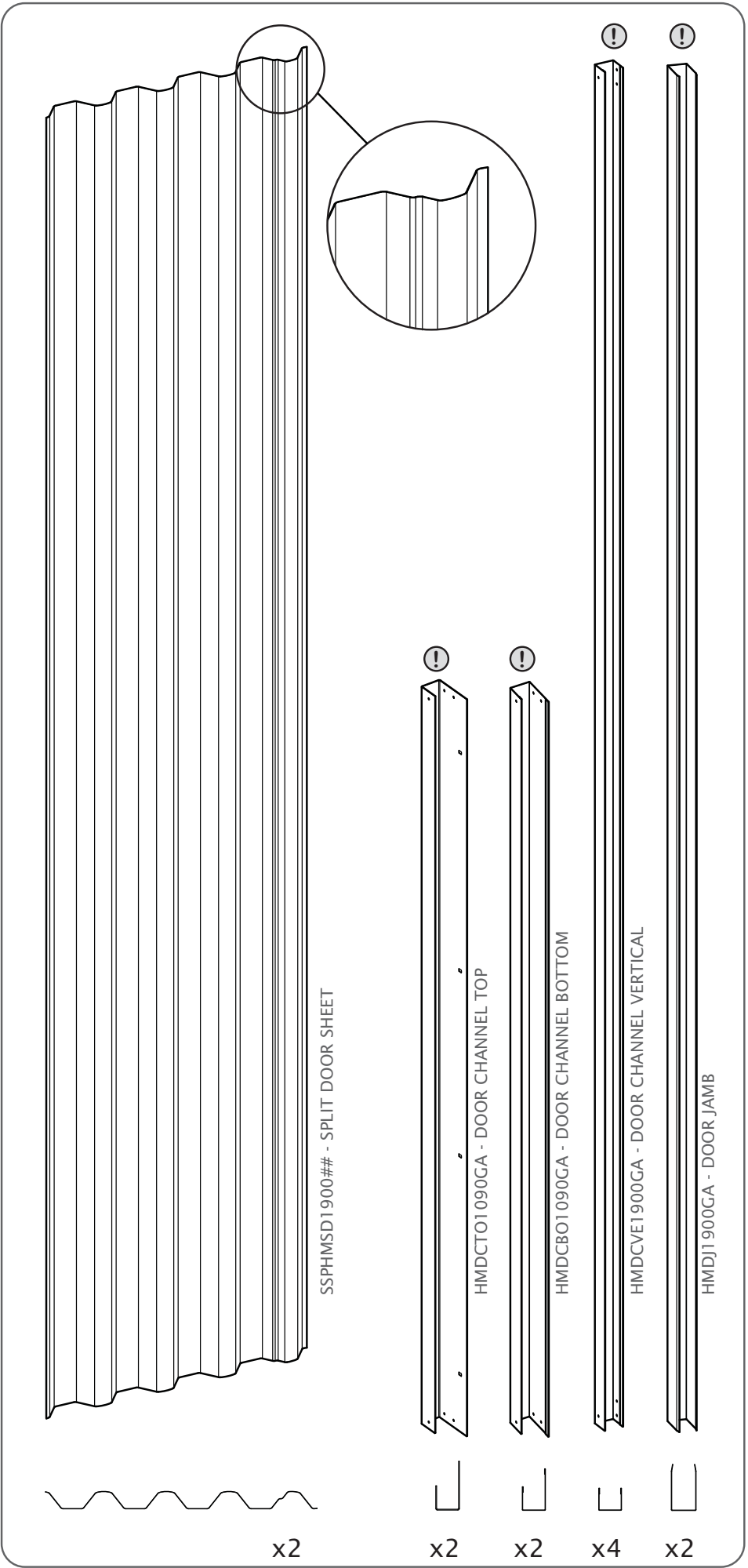
x2



SSPHMSW1900## - SPLIT WALL SHEET



x1



SSPHMSD1900## - SPLIT DOOR SHEET



x2



x2

HMDCT01090GA - DOOR CHANNEL TOP



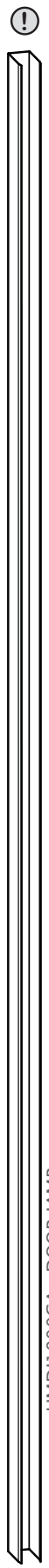
x2

HMDCB01090GA - DOOR CHANNEL BOTTOM



x4

HMDCV01900GA - DOOR CHANNEL VERTICAL



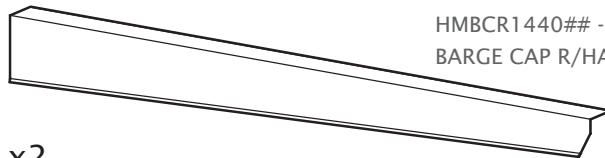
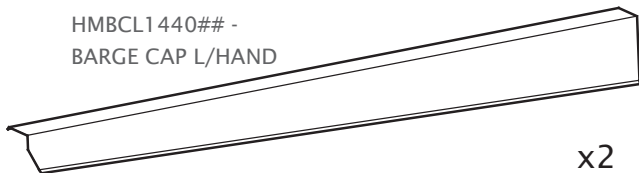
x2

HMDJ1900GA - DOOR JAMB



HMBCL1440## -
BARGE CAP L/HAND

HMBCR1440## -
BARGE CAP R/HAND



x2

x2



HMRC750GA - RIDGE CAP



HMRB750GA - RIDGE BEAM



HMDSB02060GA - DOOR SHROUD BOTTOM



HMBS2747GA - FRONT RAIL BARGE SUPPORT



HMSR2800GA - SLIDING RAIL BRACKET



HMBR2800GA - BOTTOM RAMP CHANNEL



HMRB02747GA - DOOR RUNNER RAIL



HMWC700GA - WALL CHANNEL



HMWC2800GA - WALL CHANNEL



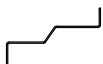
x1



x1



x1



x1



x1



x1



x1



x4

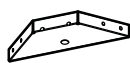


x2



x2

HMAP##



x8

HMCBGA



x4

HMDMLOCGA



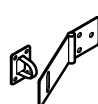
x2

HMSS



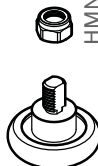
PM-10874

x1



PM-10873

x1



HMDW

x4

HMIN6



HMDW



WTK1016

x2



WTK1022

x2



TEKNNW1016



TEK1016

x4



TEK1016##

x2

TEK1016## only
on colour sheds

SITE AND ASSEMBLY PREPARATION

Preventing Wind Uplift

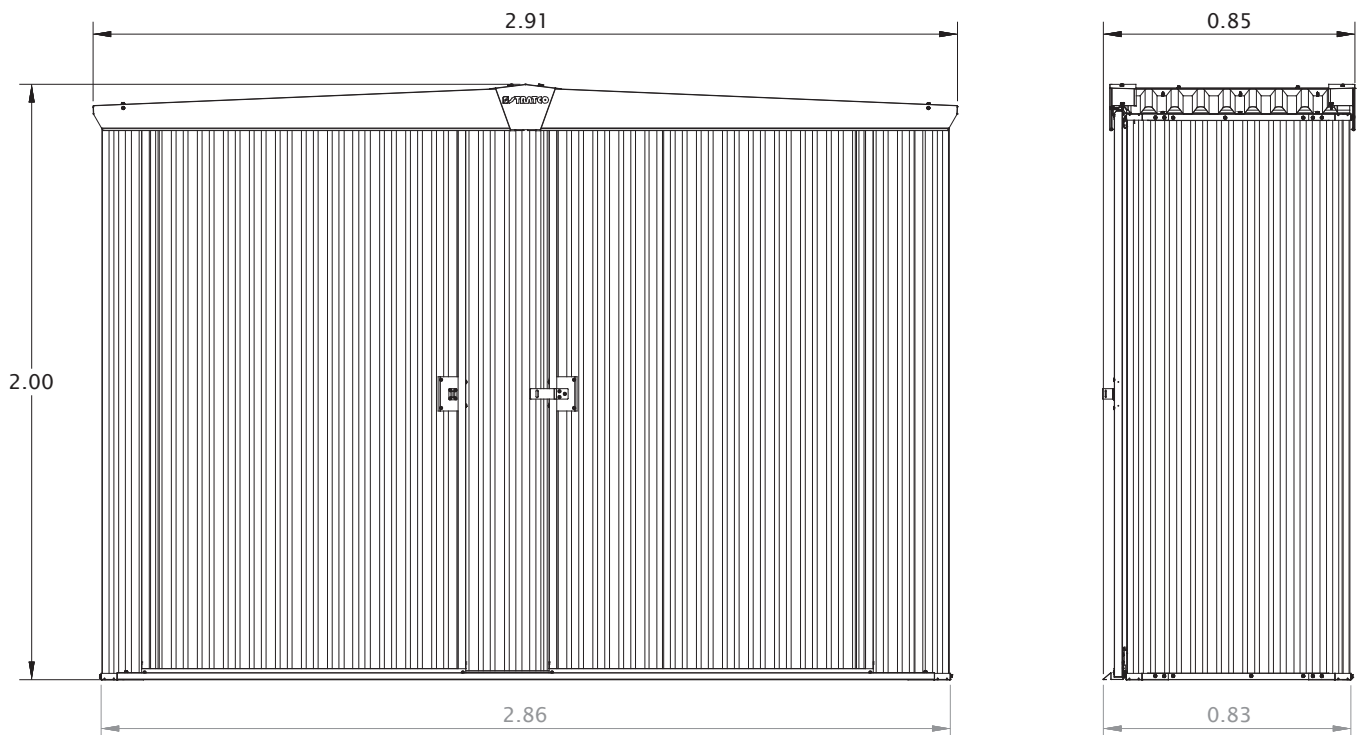
All Stratco Handi-Mate™ Sheds must be securely bolted to a permanent concrete base with sufficient masonry anchors to prevent wind uplift. It is particularly important that masonry anchors are placed within all four corner brackets of the Handi-Mate™ Shed. Further anchors and mounting brackets are also used to fix the Hand-Mate Garden Shed to the permanent concrete base according to shed size. The mounting brackets are to be evenly spaced along the length of the wall.

Stratco Handi-Mate™ mounting bracket kits can be purchased at Stratco Home Improvement Stores.

Concrete Floor

Option 1 - Before building the shed, pour a base that is larger than the area by at least 200mm in each direction. The base should be poured so the concrete that will be outside the shed floor area slopes away from the shed to help prevent water from entering the shed.

Option 2 - Substantial concrete squares may be used at each anchor location as an alternative to a complete concrete floor.



Important Notes

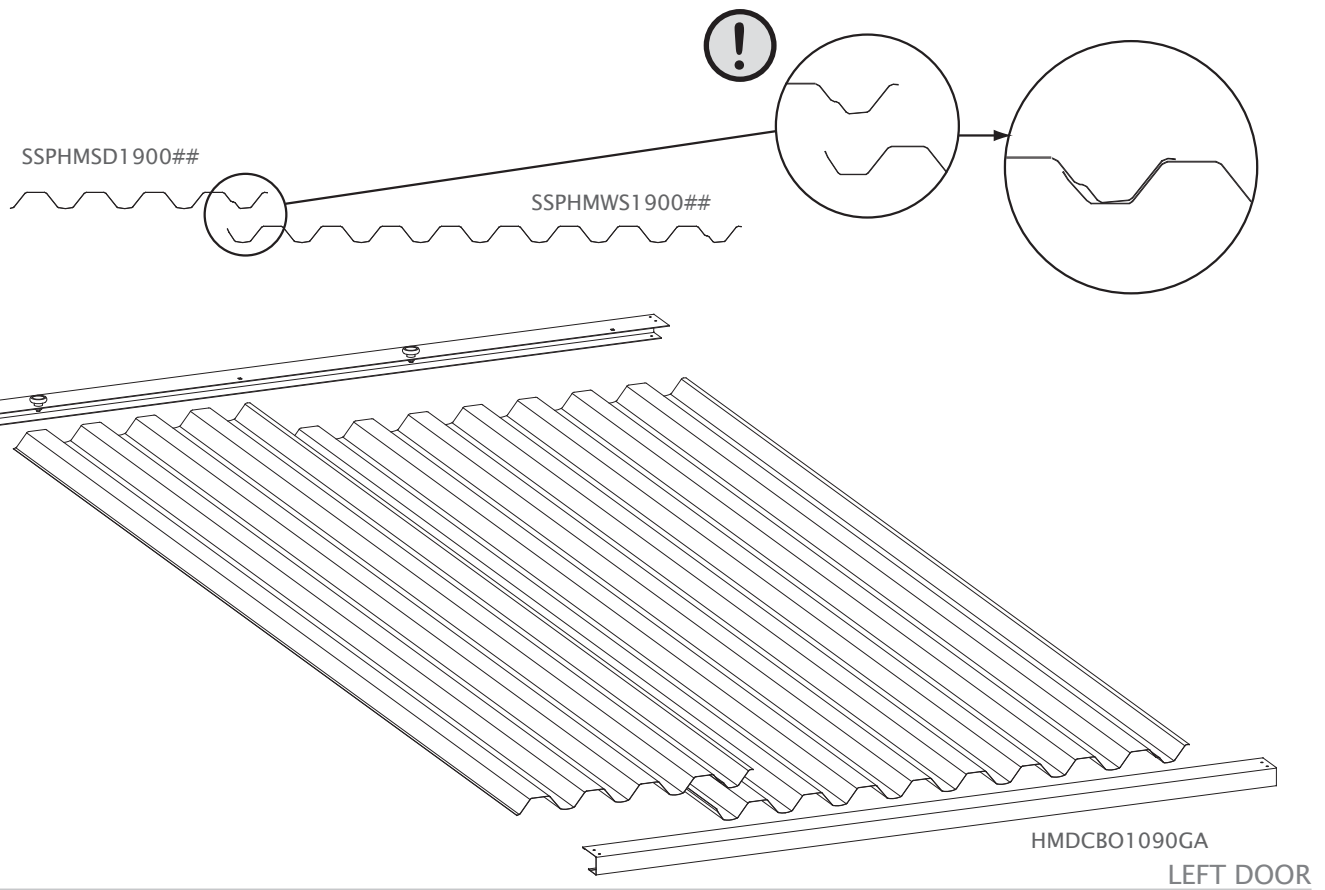
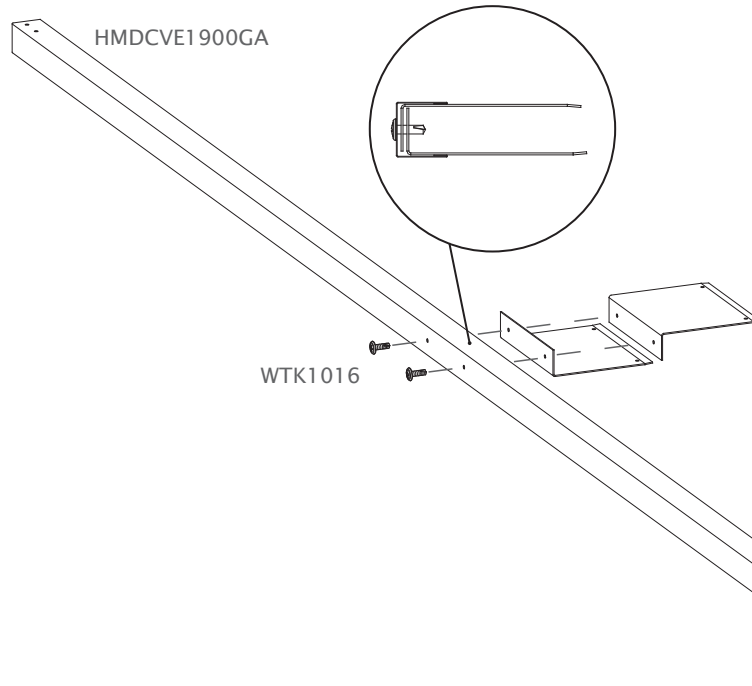
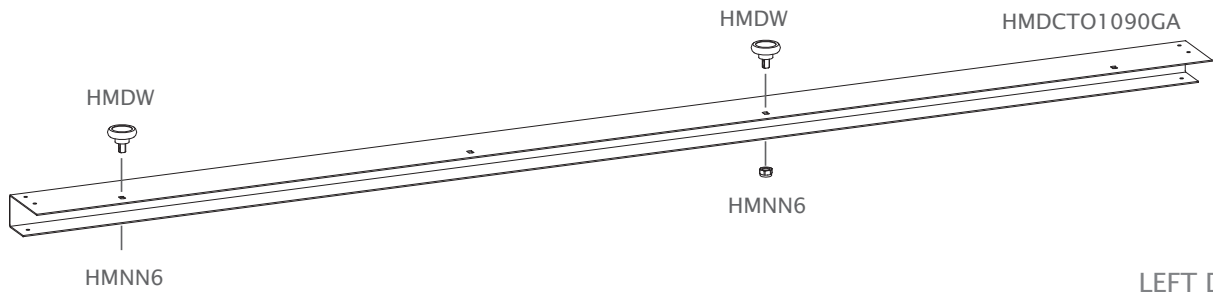
It is essential to clear and level the site prior to assembling your Stratco Handi-Mate™ Shed.

Before starting to build the shed, please refer to the previous pages of this guide for a list of recommended shed assembly tools and shed components.

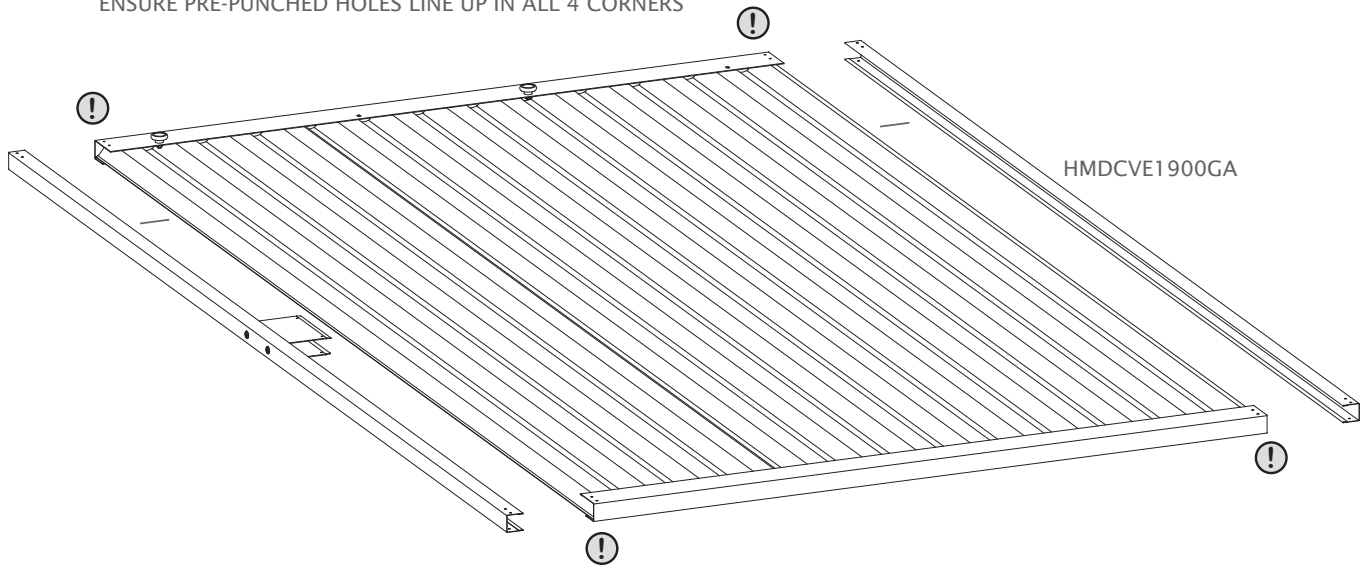
Also note there are different types and colour screws. Ensure that the right type and colour screw is being used at each location.

It is recommended to not walk on the roof. Should the roof need to be traversed, weight shall be kept to the ridge support beam. Wear flat, rubber soled shoes and walk flat footed, spreading your weight as close to the peak of HMRC750GA as possible.

DOOR ASSEMBLY

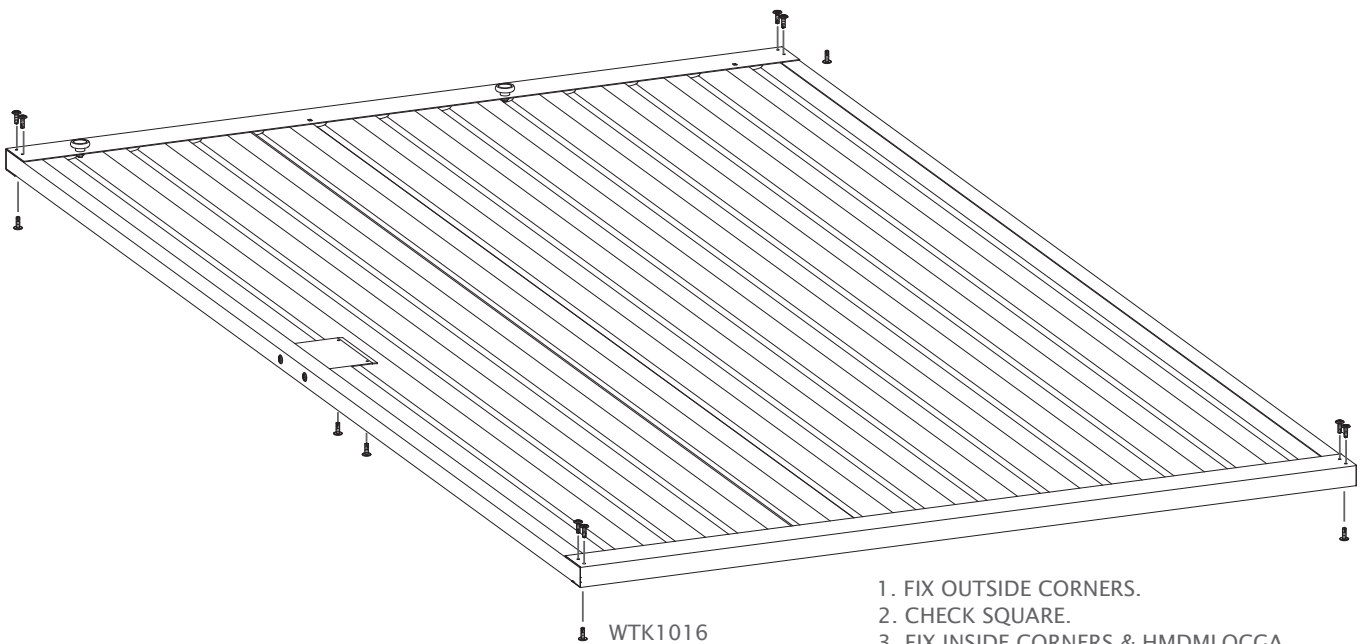


ENSURE PRE-PUNCHED HOLES LINE UP IN ALL 4 CORNERS



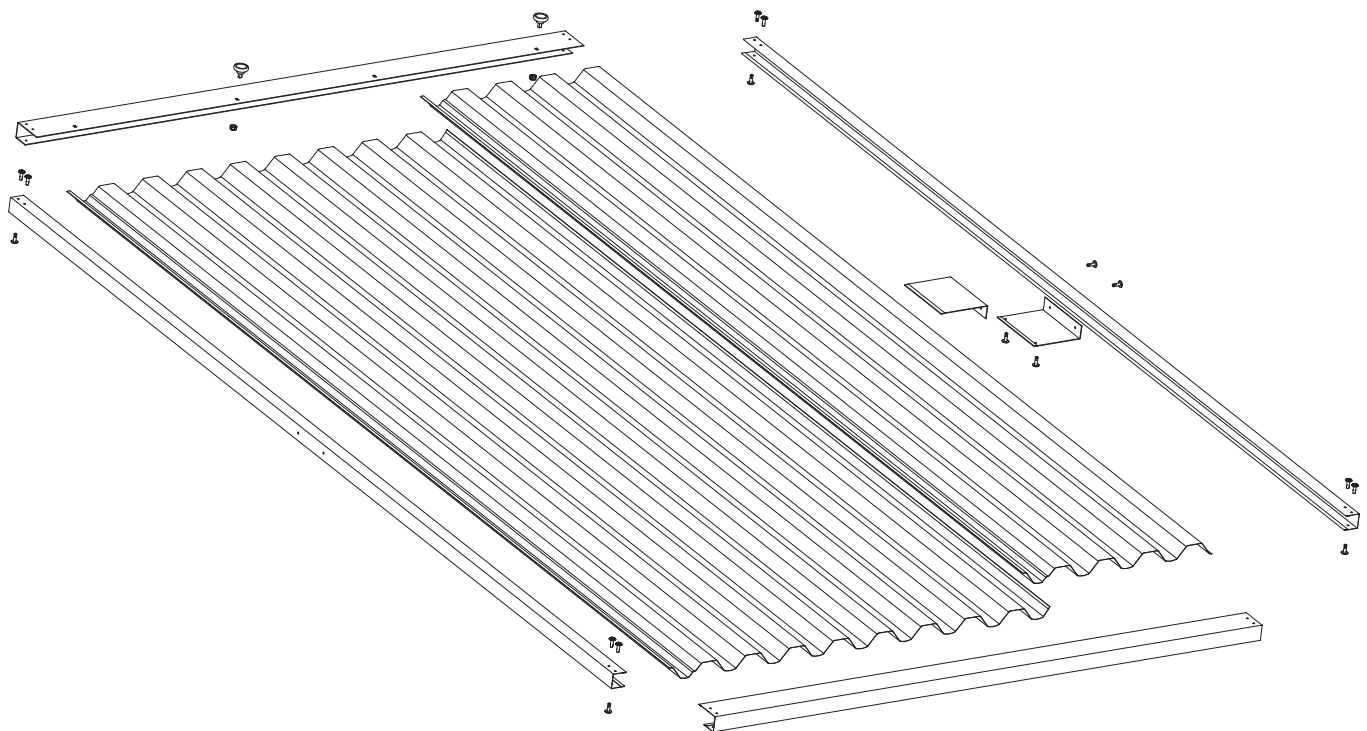
4

LEFT DOOR



5

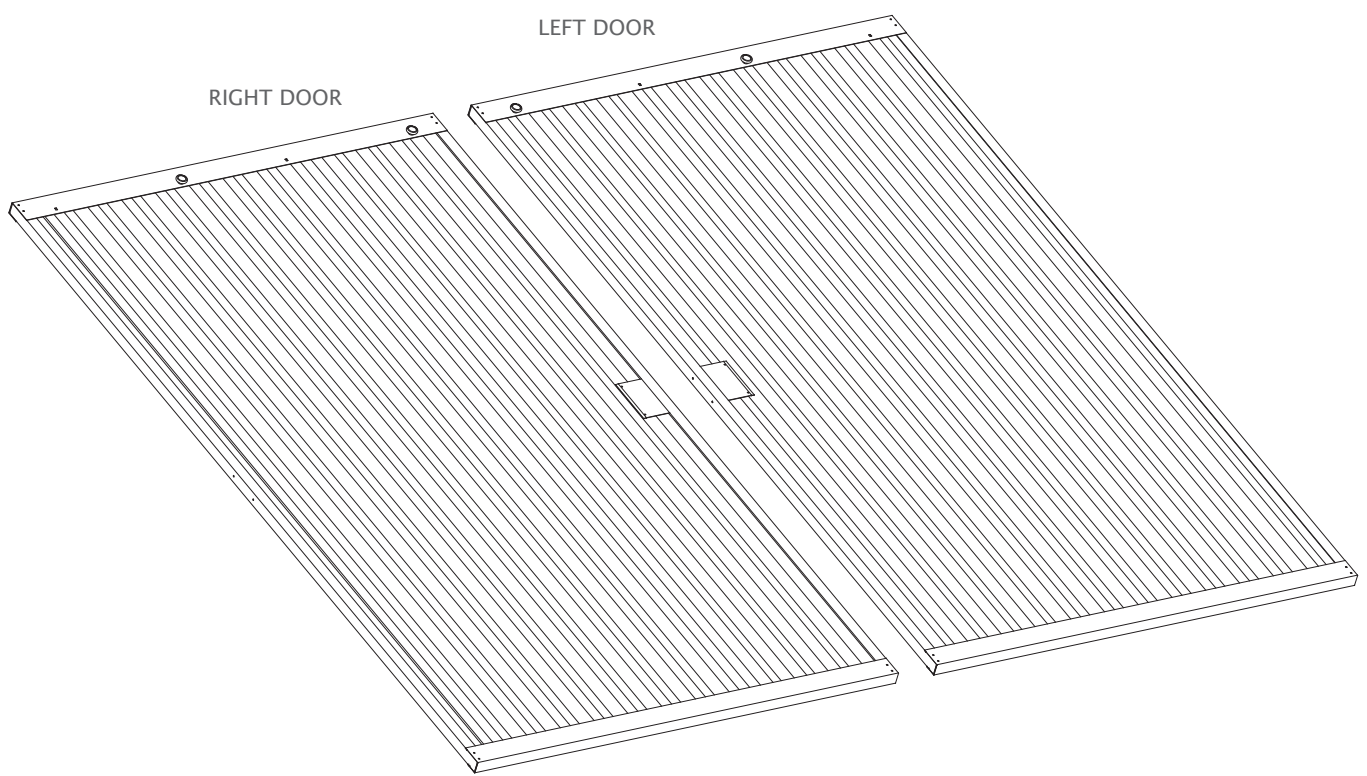
LEFT DOOR



REPEAT ASSEMBLY PROCESS OF LEFT DOOR FOR RIGHT DOOR, USING PARTS LAYOUT SHOWN.

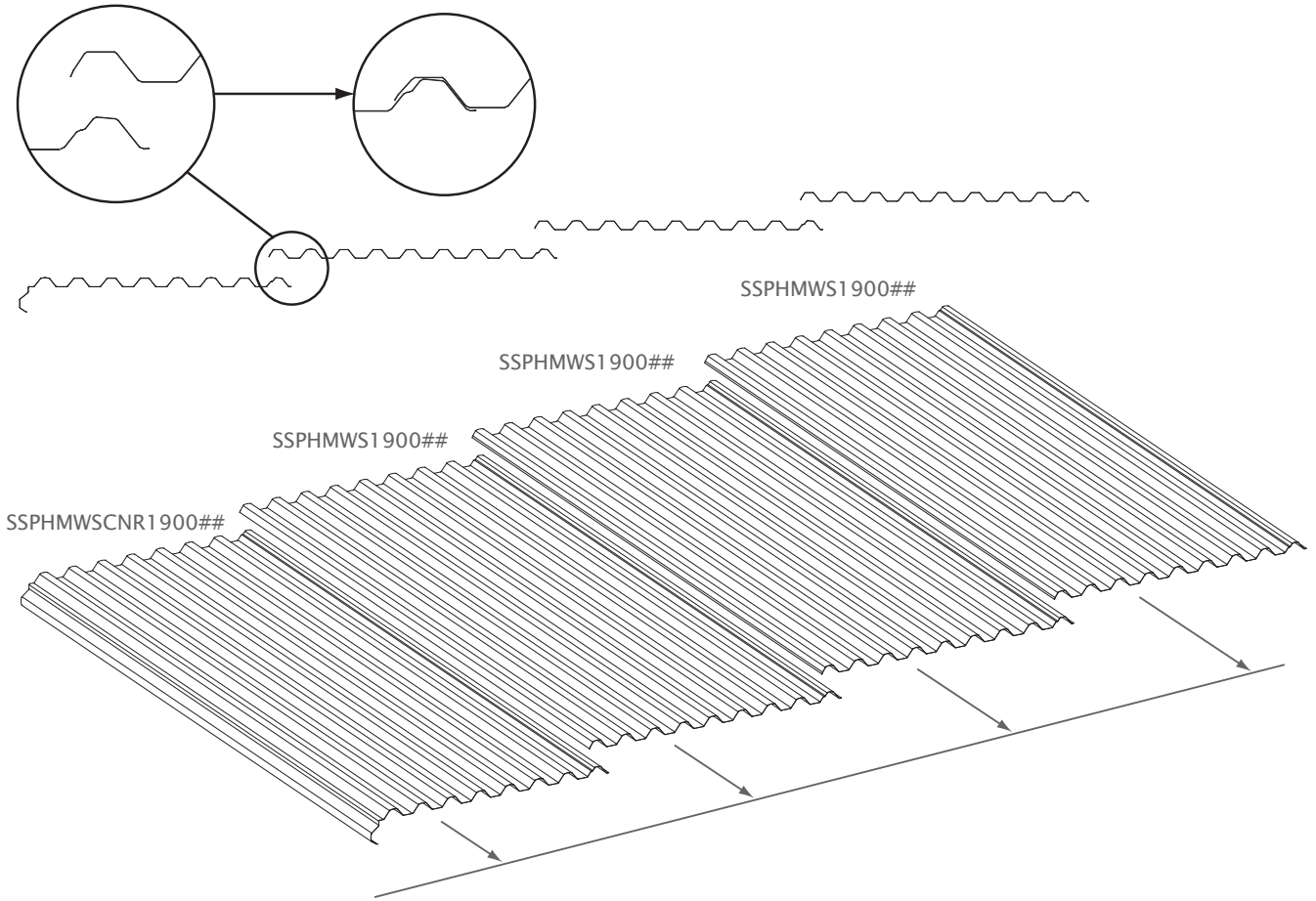
6

RIGHT DOOR

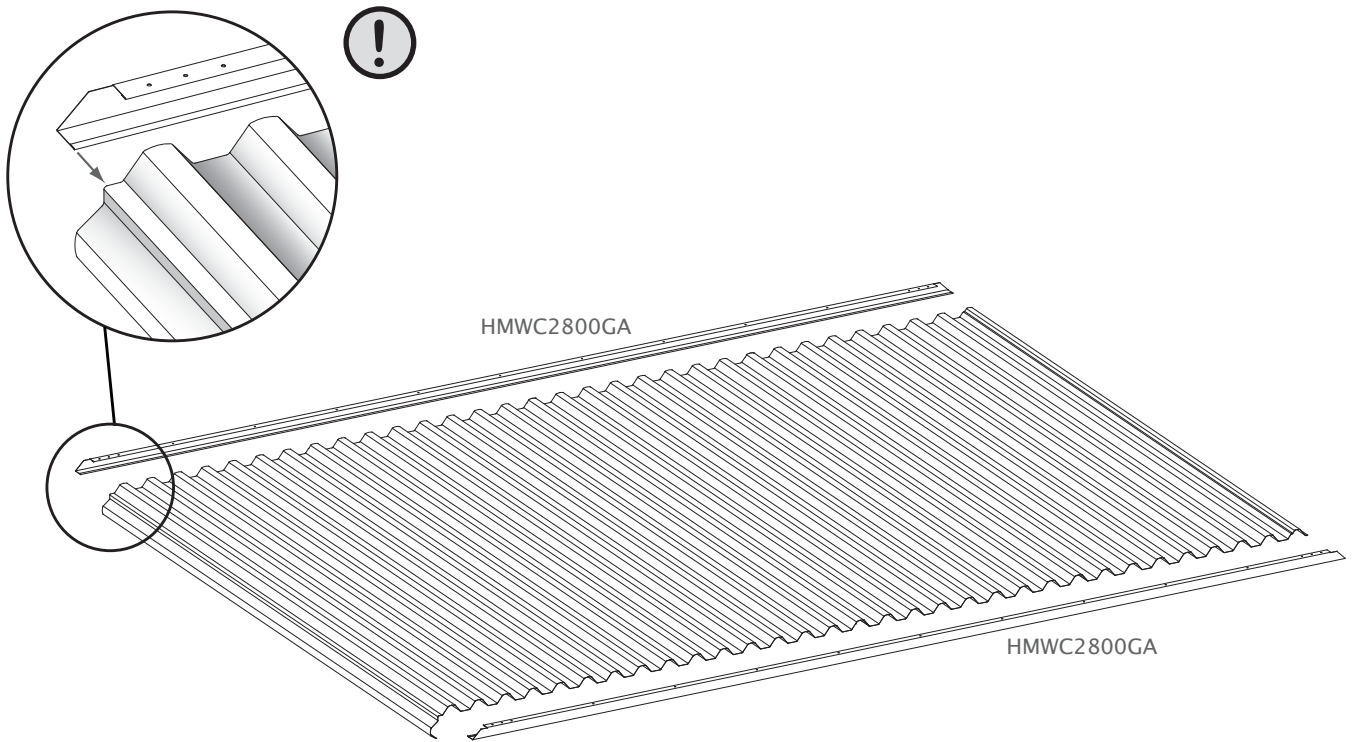


7

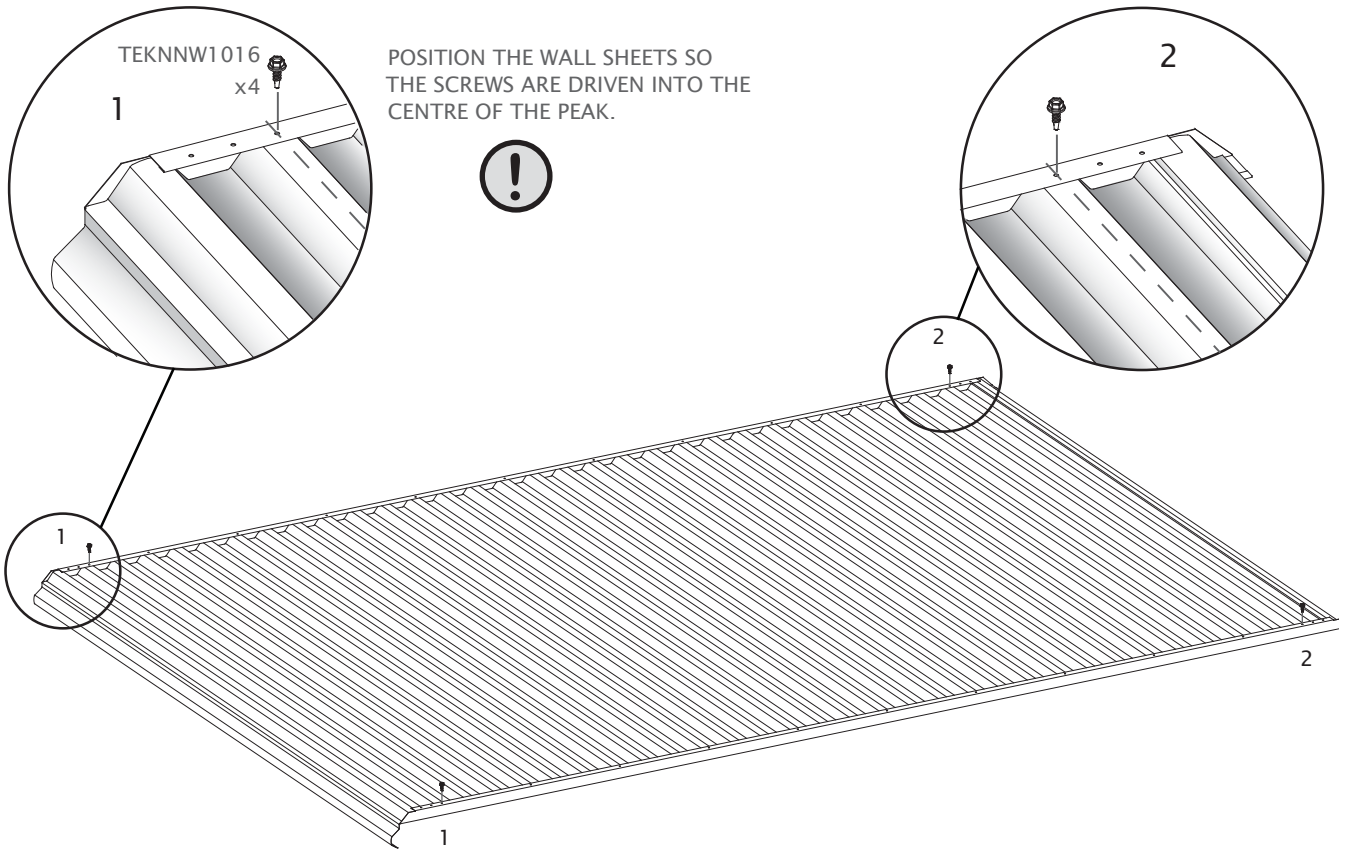
BACK WALL ASSEMBLY



1



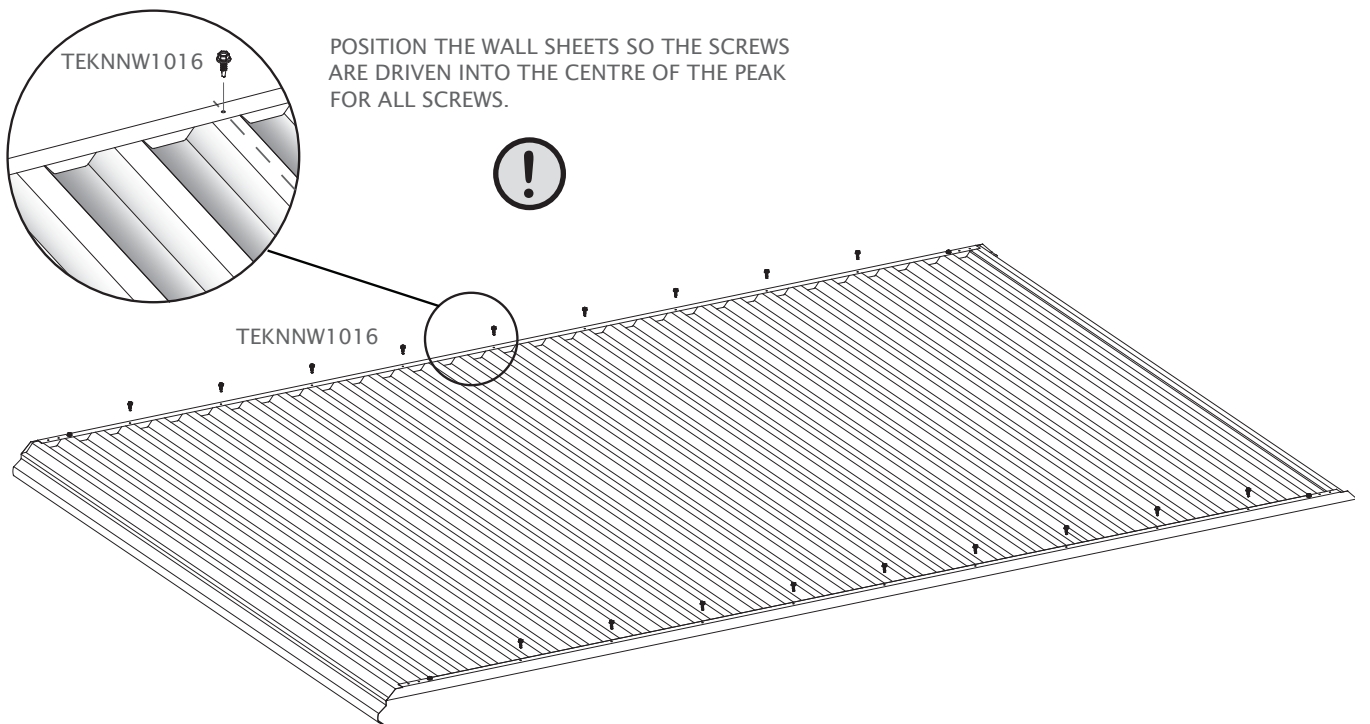
2



POSITION THE WALL SHEETS SO THE SCREWS ARE DRIVEN INTO THE CENTRE OF THE PEAK.



3

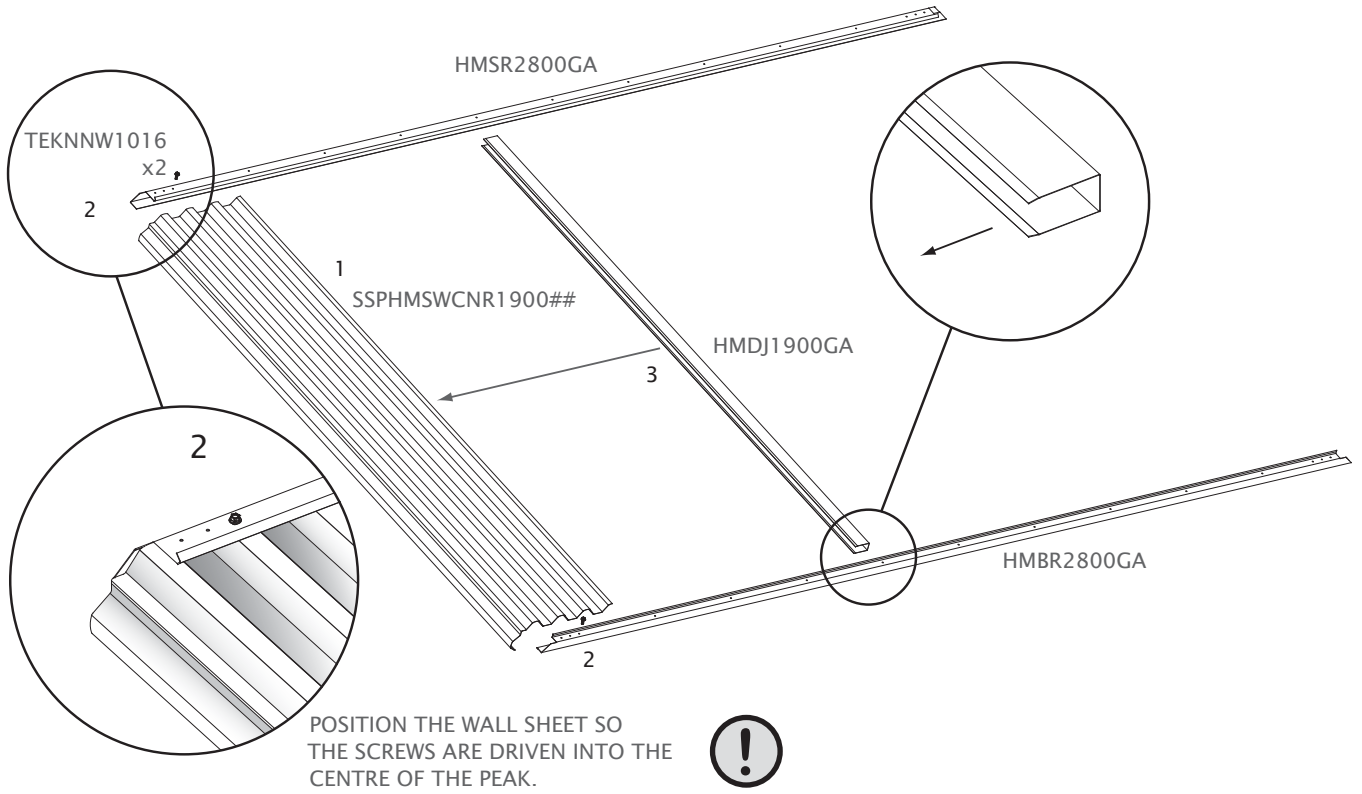


POSITION THE WALL SHEETS SO THE SCREWS ARE DRIVEN INTO THE CENTRE OF THE PEAK FOR ALL SCREWS.

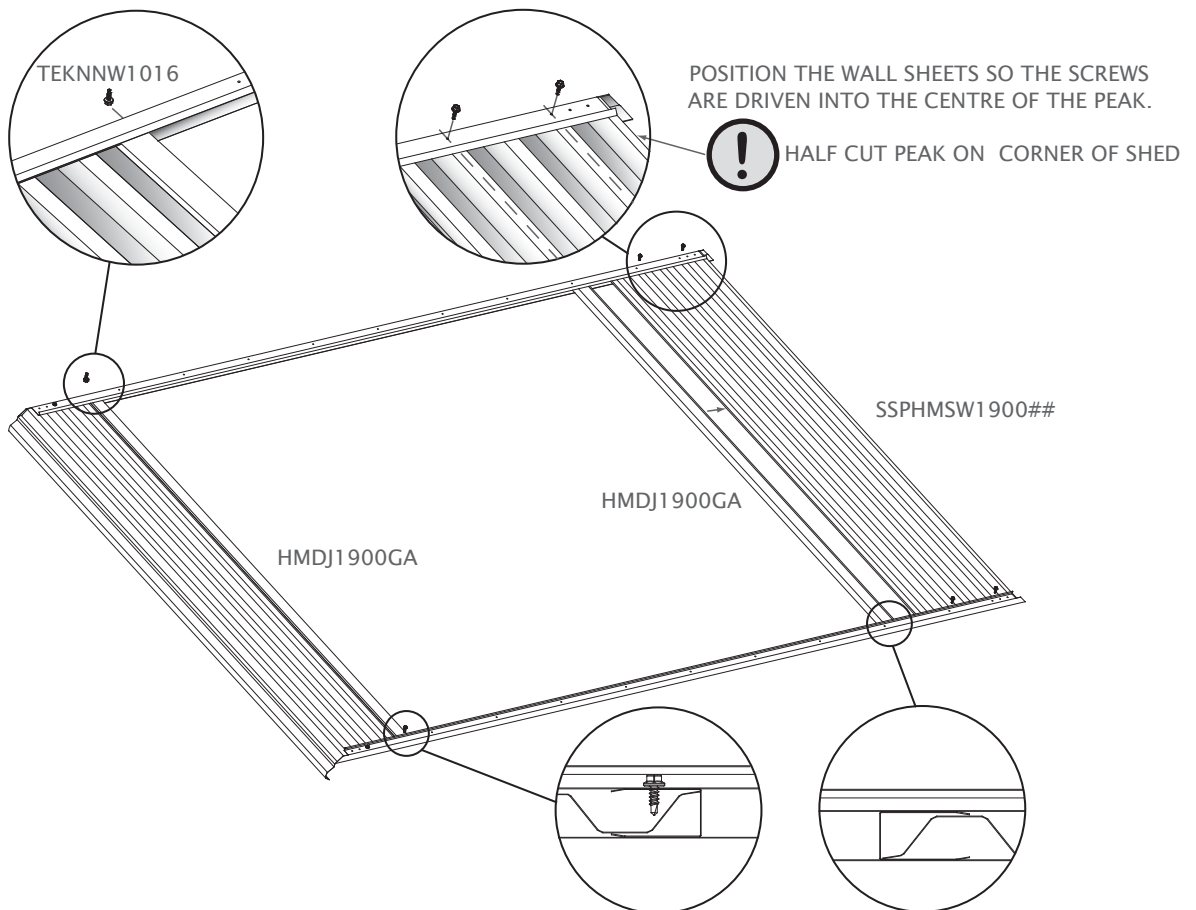


4

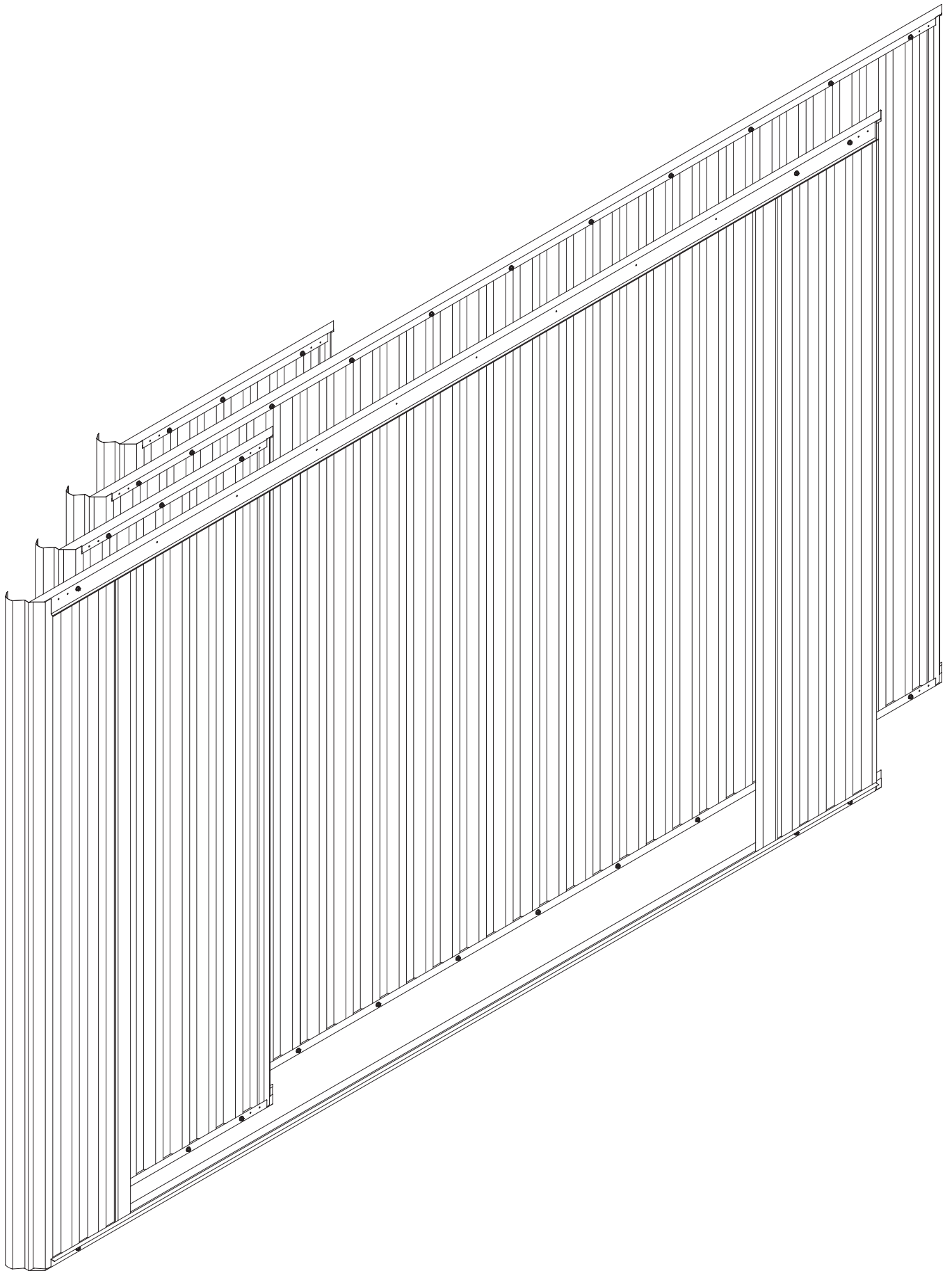
FRONT WALL ASSEMBLY



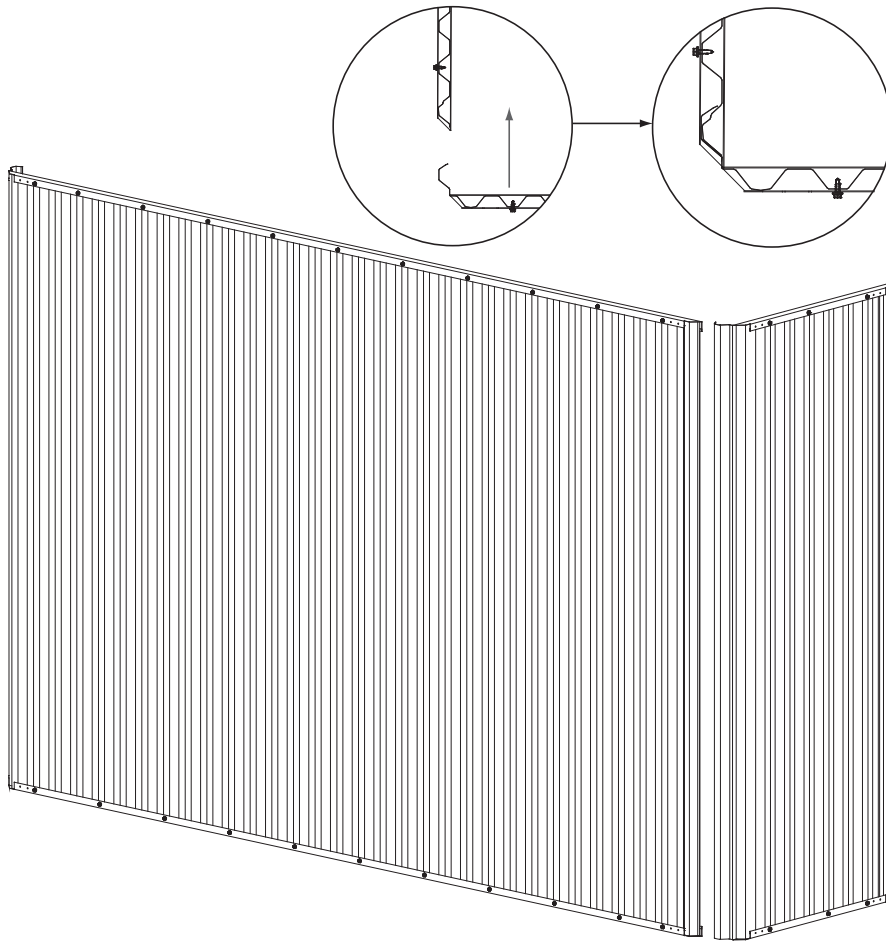
1



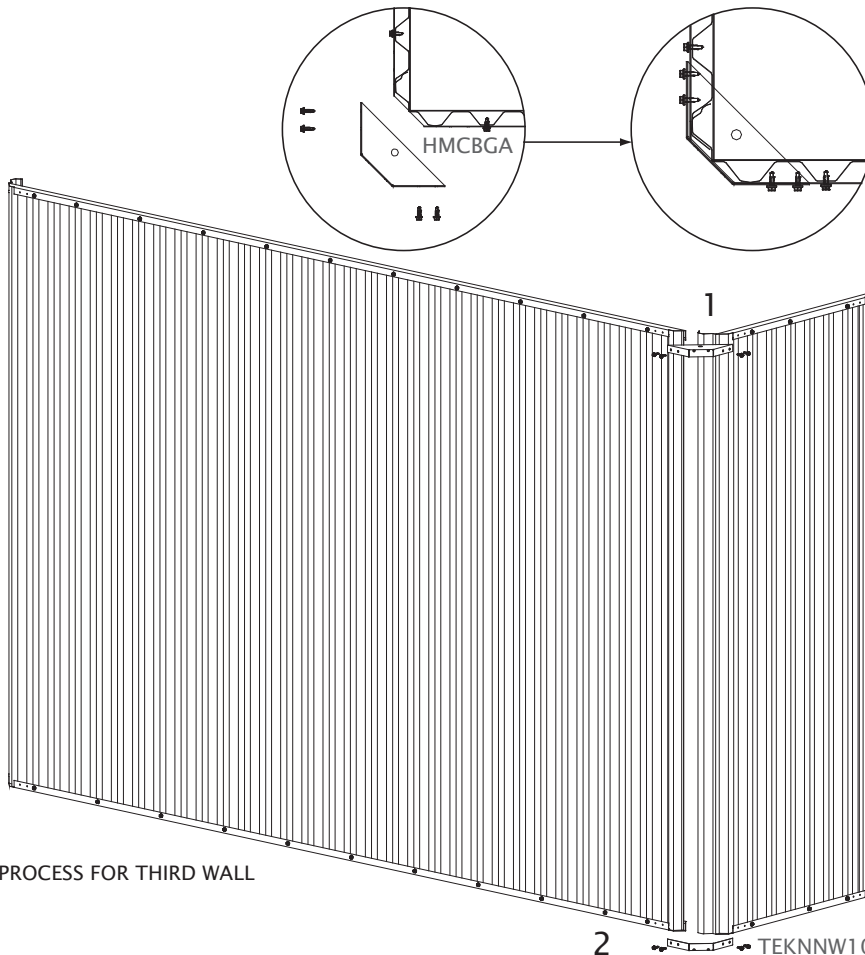
2



SHED ASSEMBLY



1



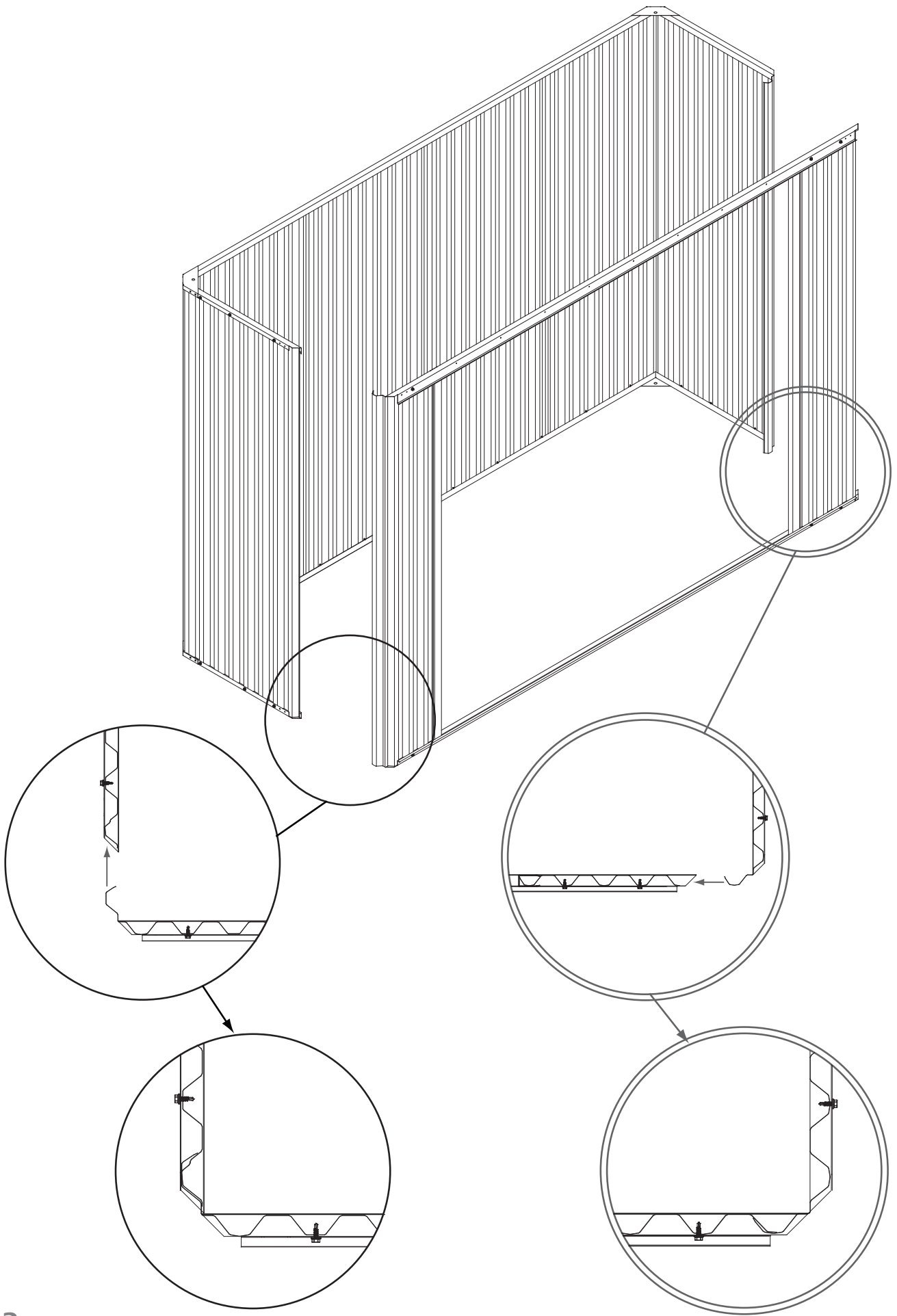
ENSURE PRE-PUNCHED HOLES IN HMCBGA AND WALL PANELS ARE ALIGNED.

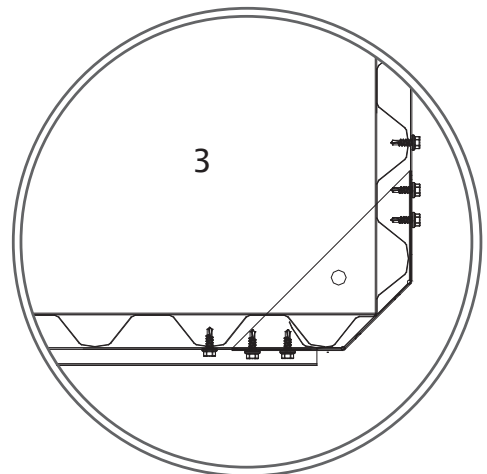
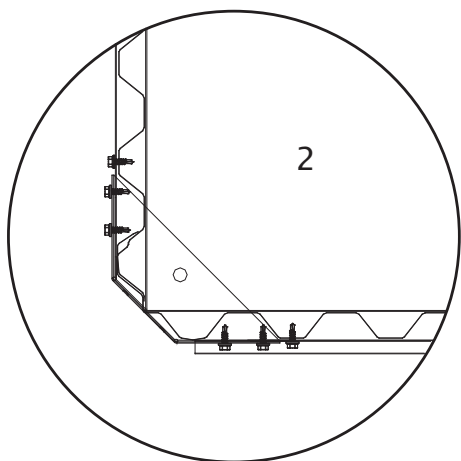
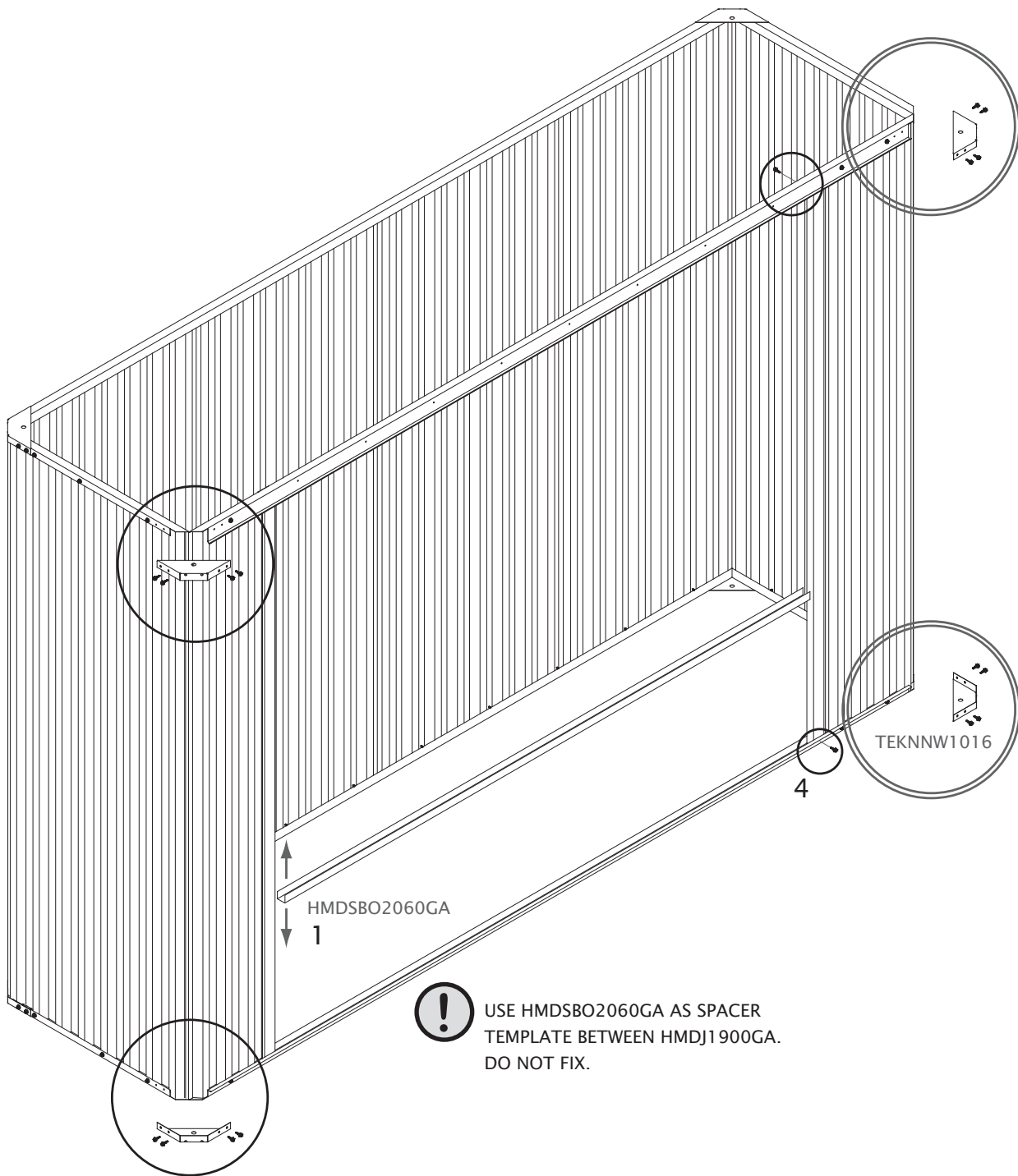
REPEAT PROCESS FOR THIRD WALL

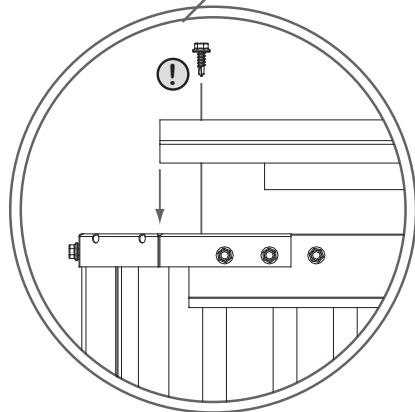
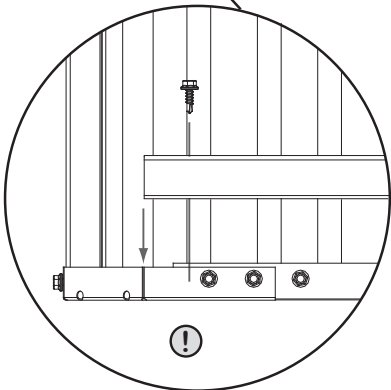
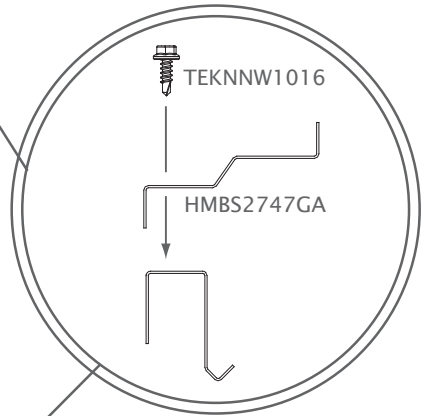
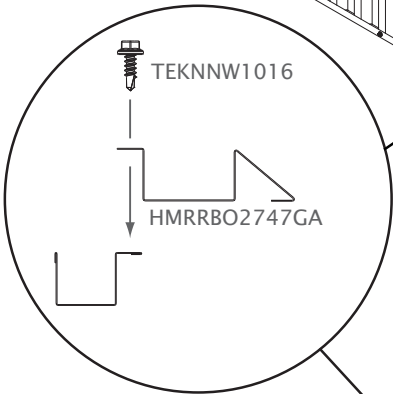
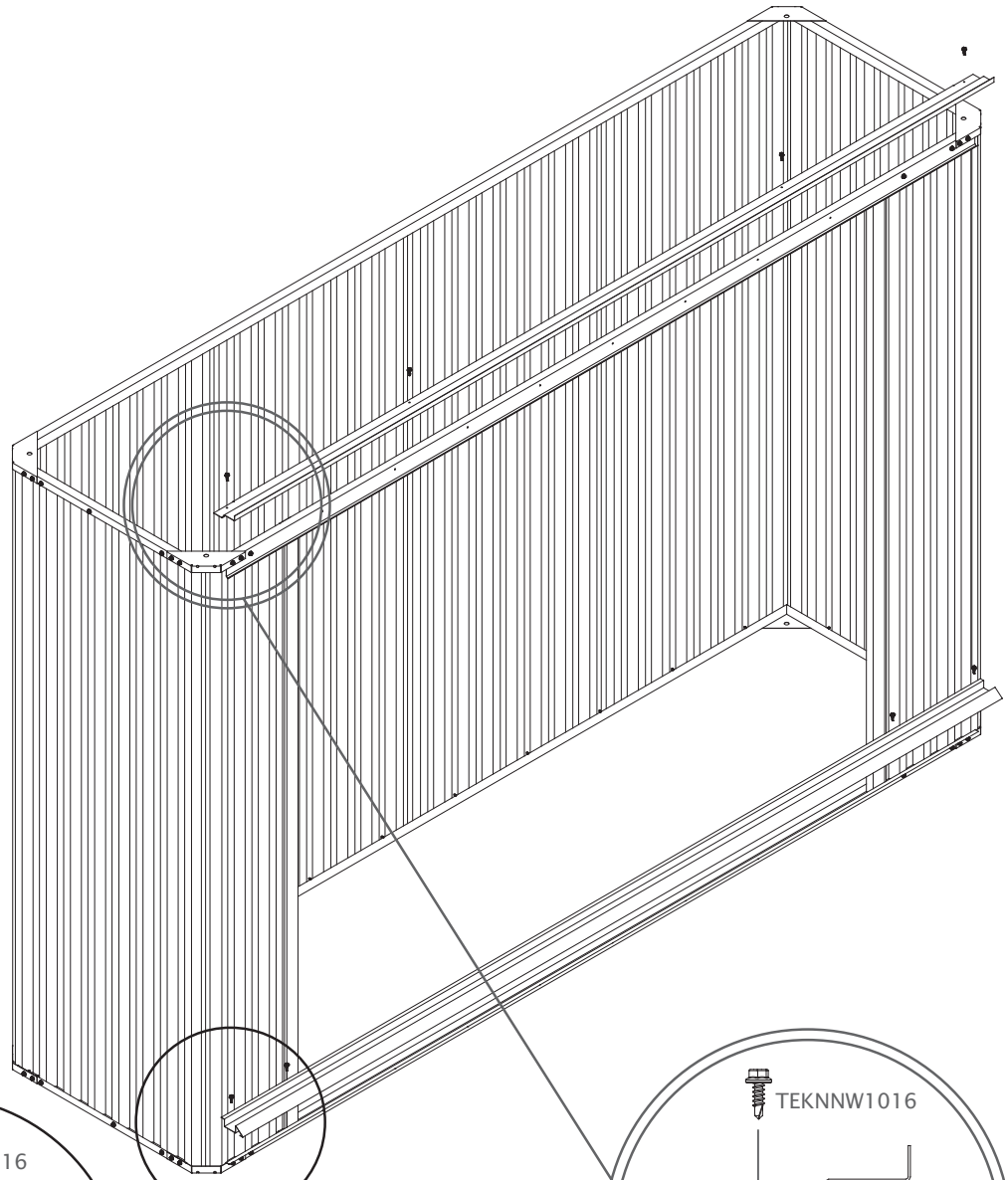
2

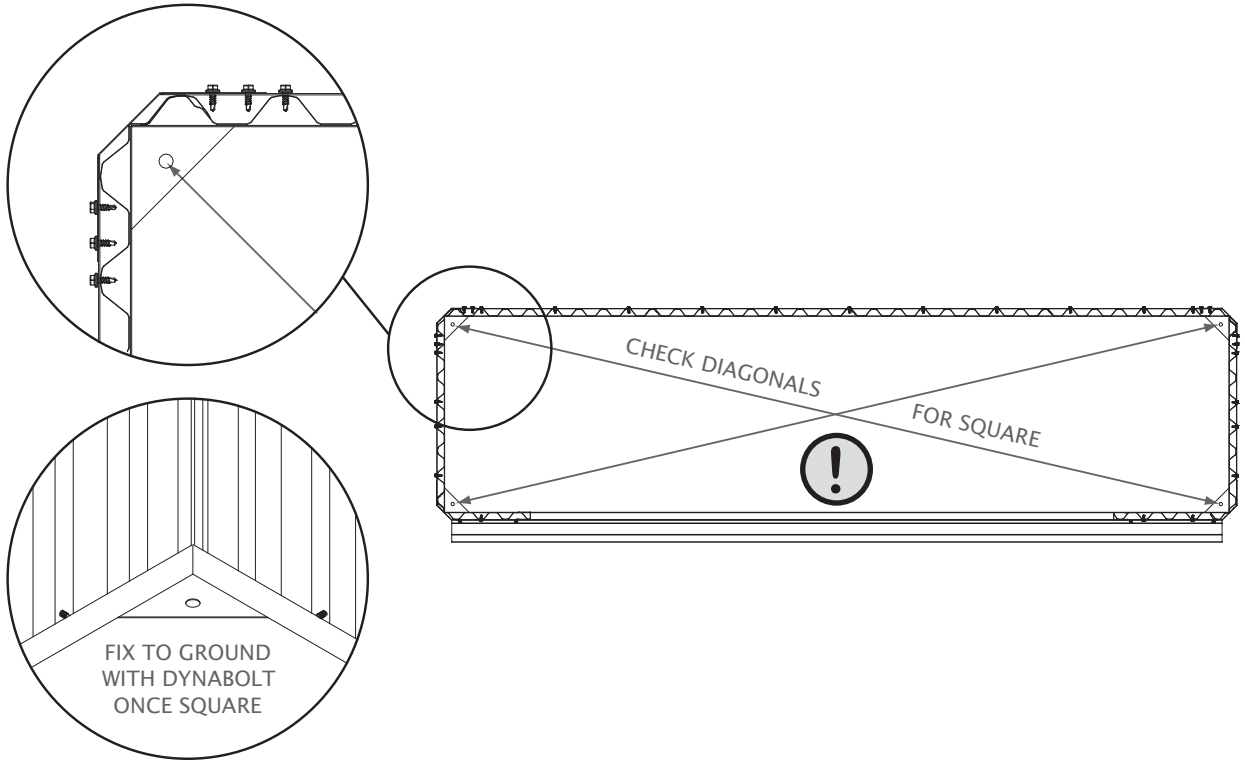
2

TEKNNW1016

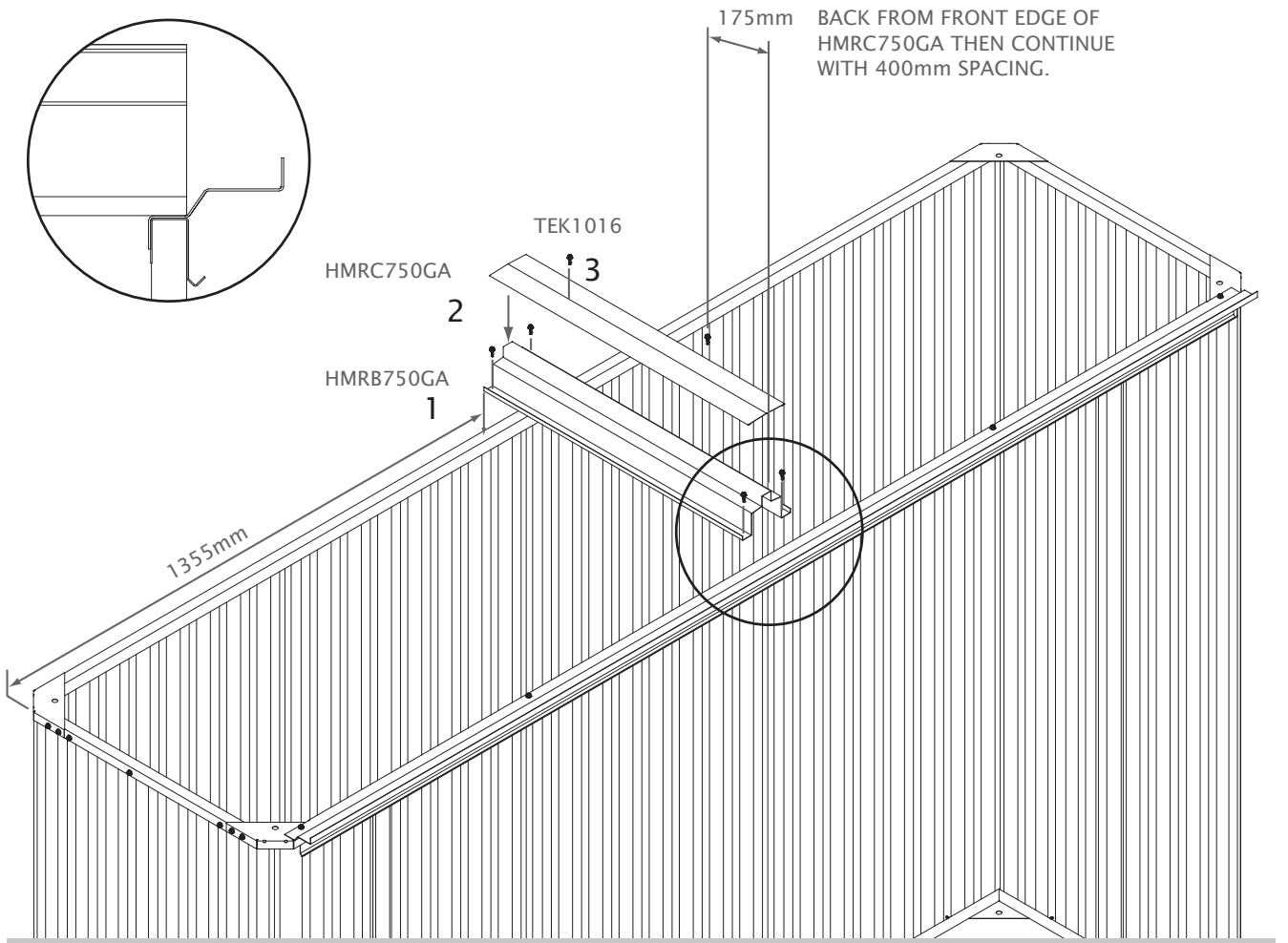




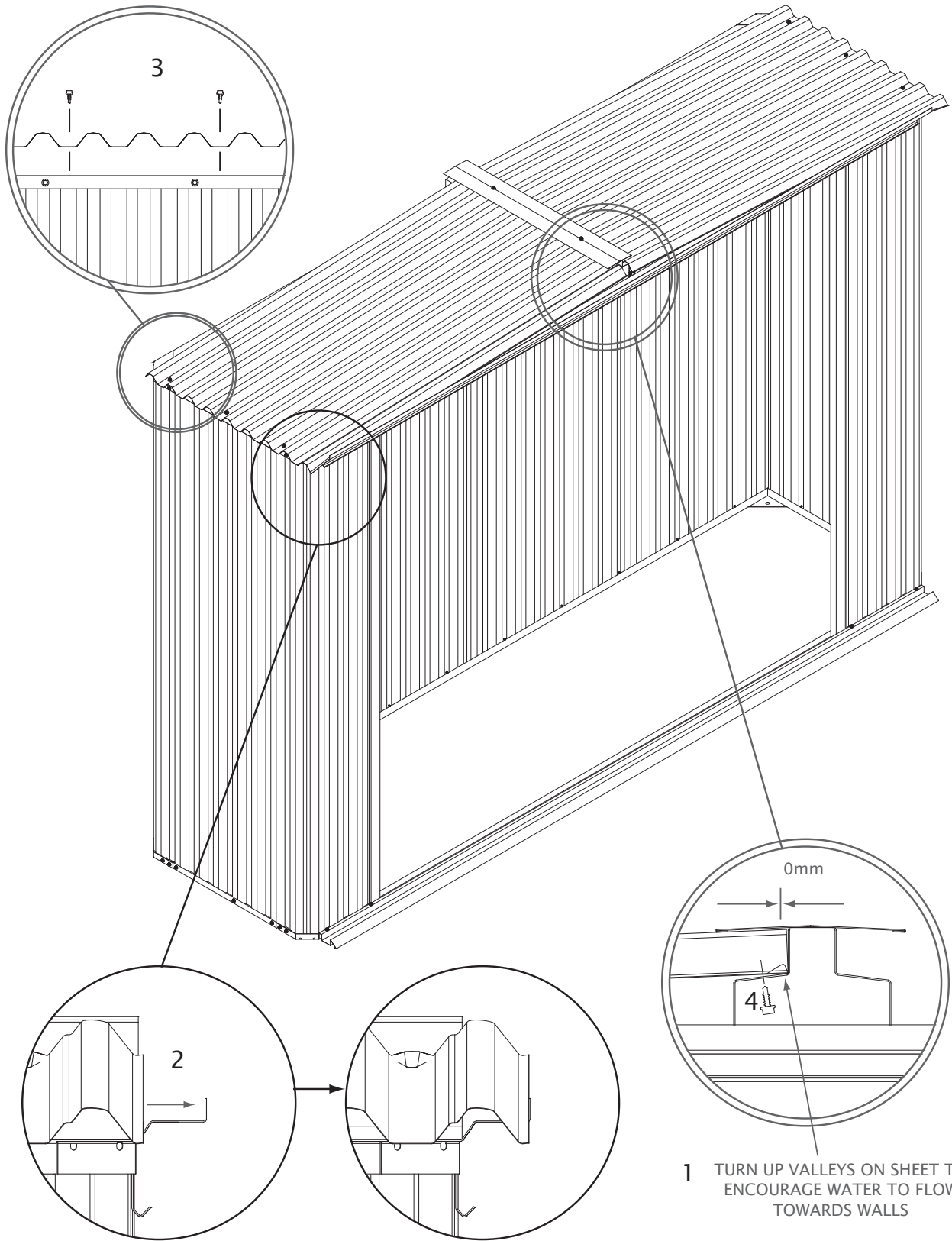




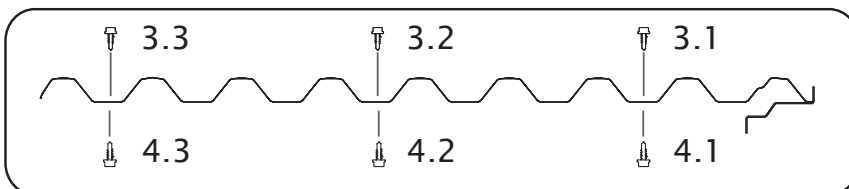
6



7

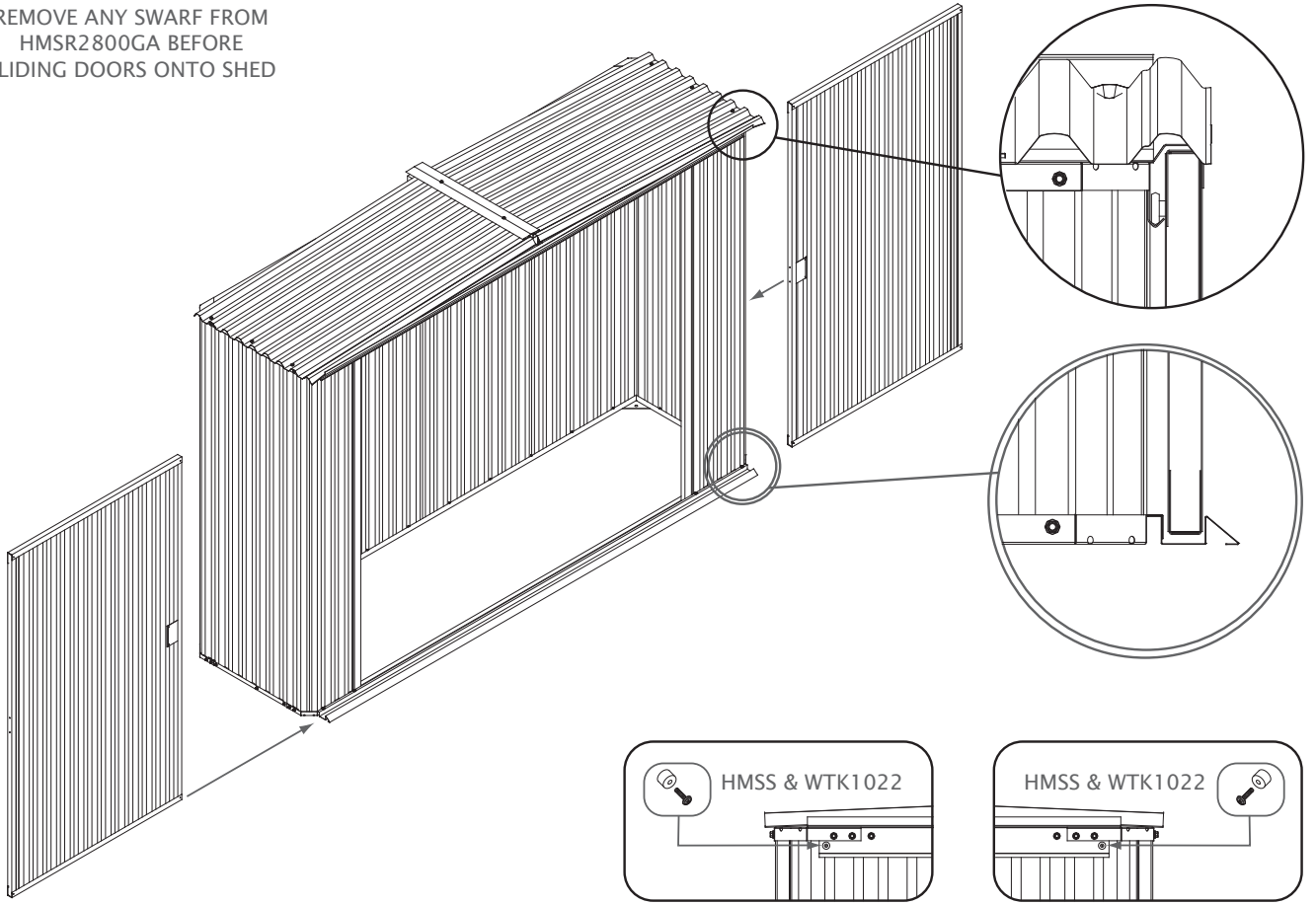


FIXING LOCATIONS FOR ALL SSPHMRS1440AZ

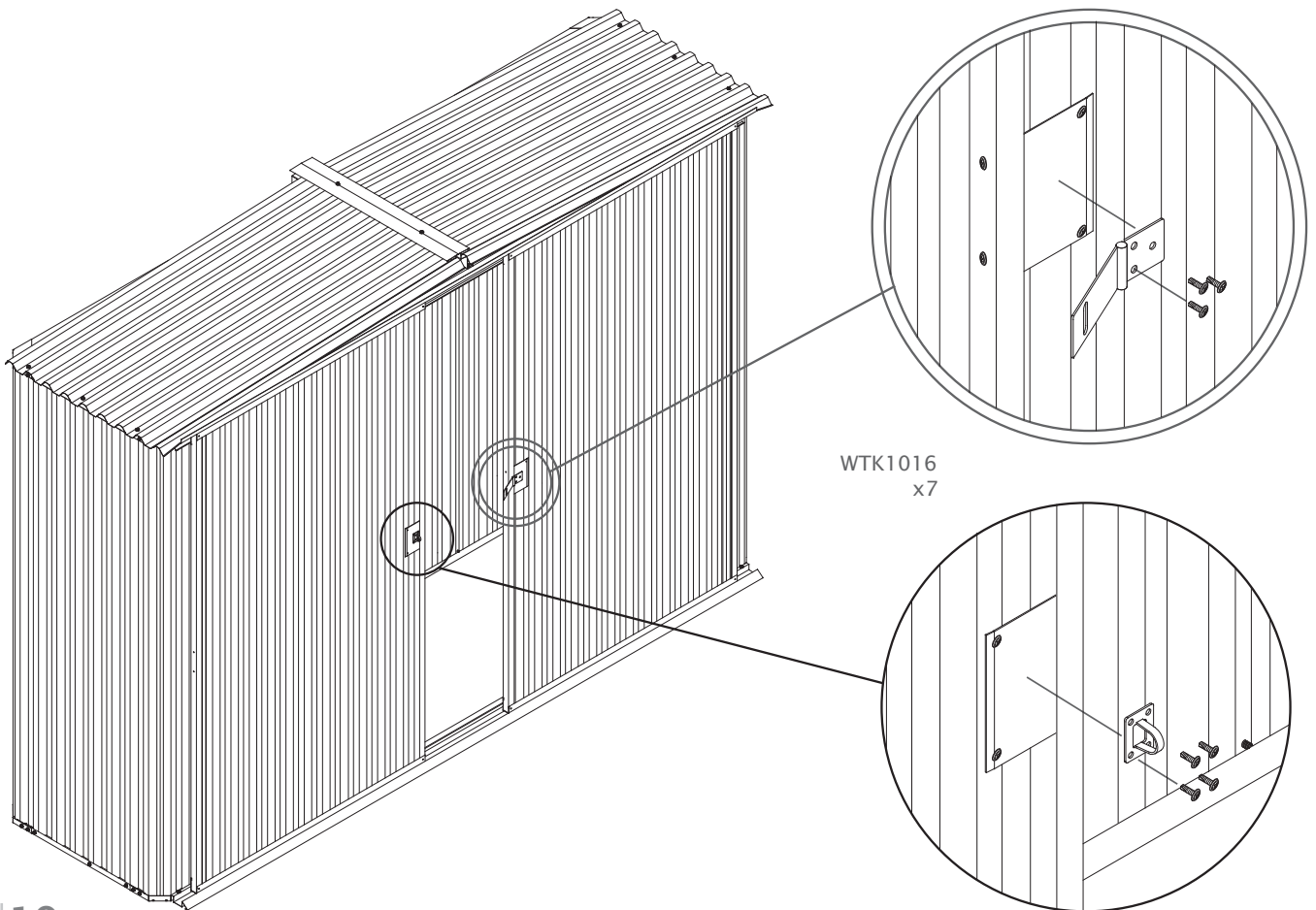


ALL FIXINGS TEK1016

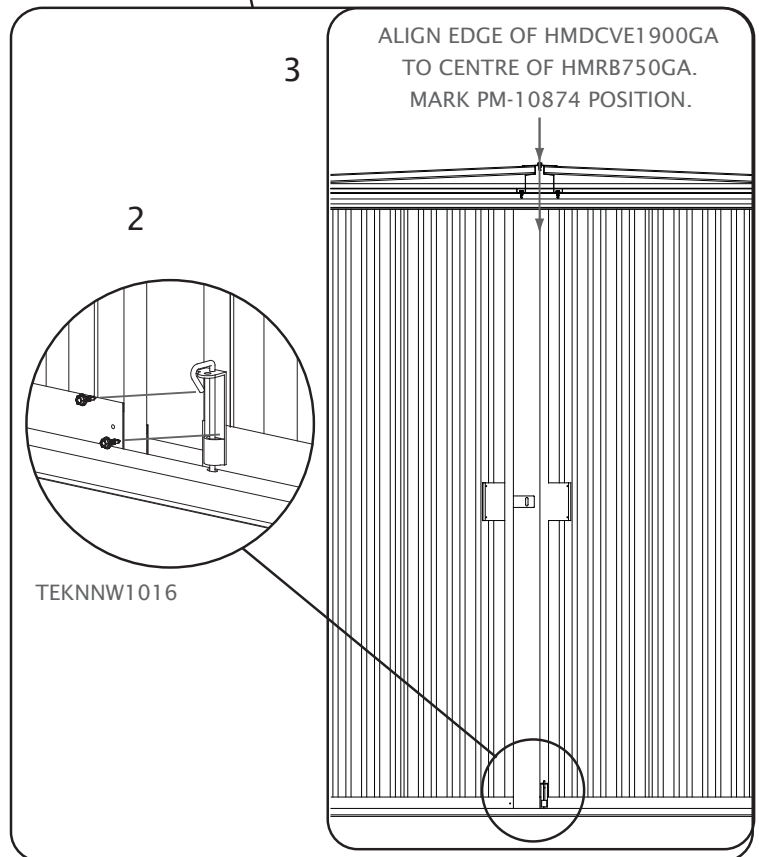
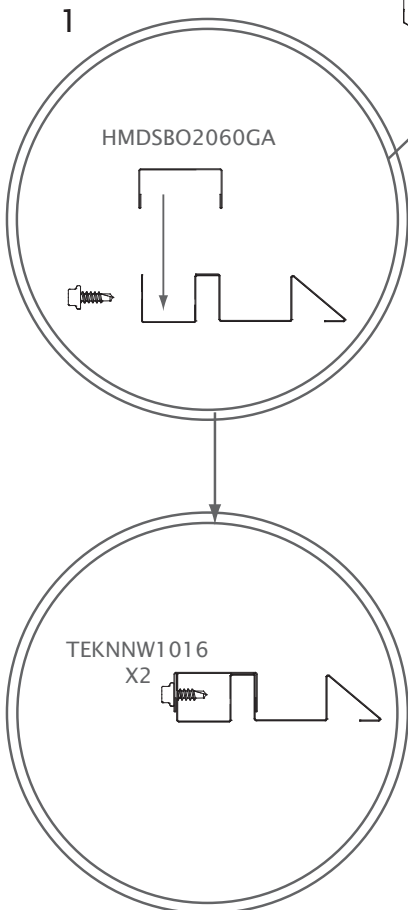
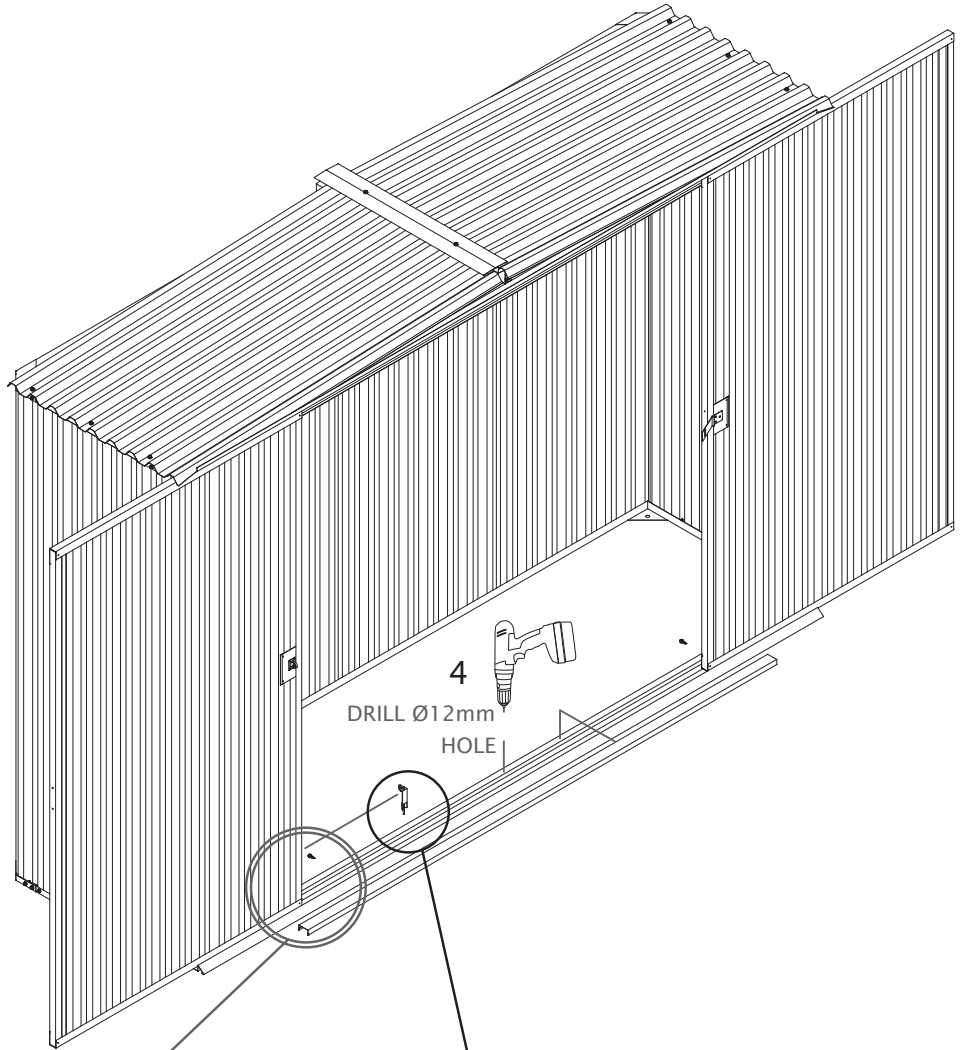
REMOVE ANY SWarf FROM
HMSR2800GA BEFORE
SLIDING DOORS ONTO SHED

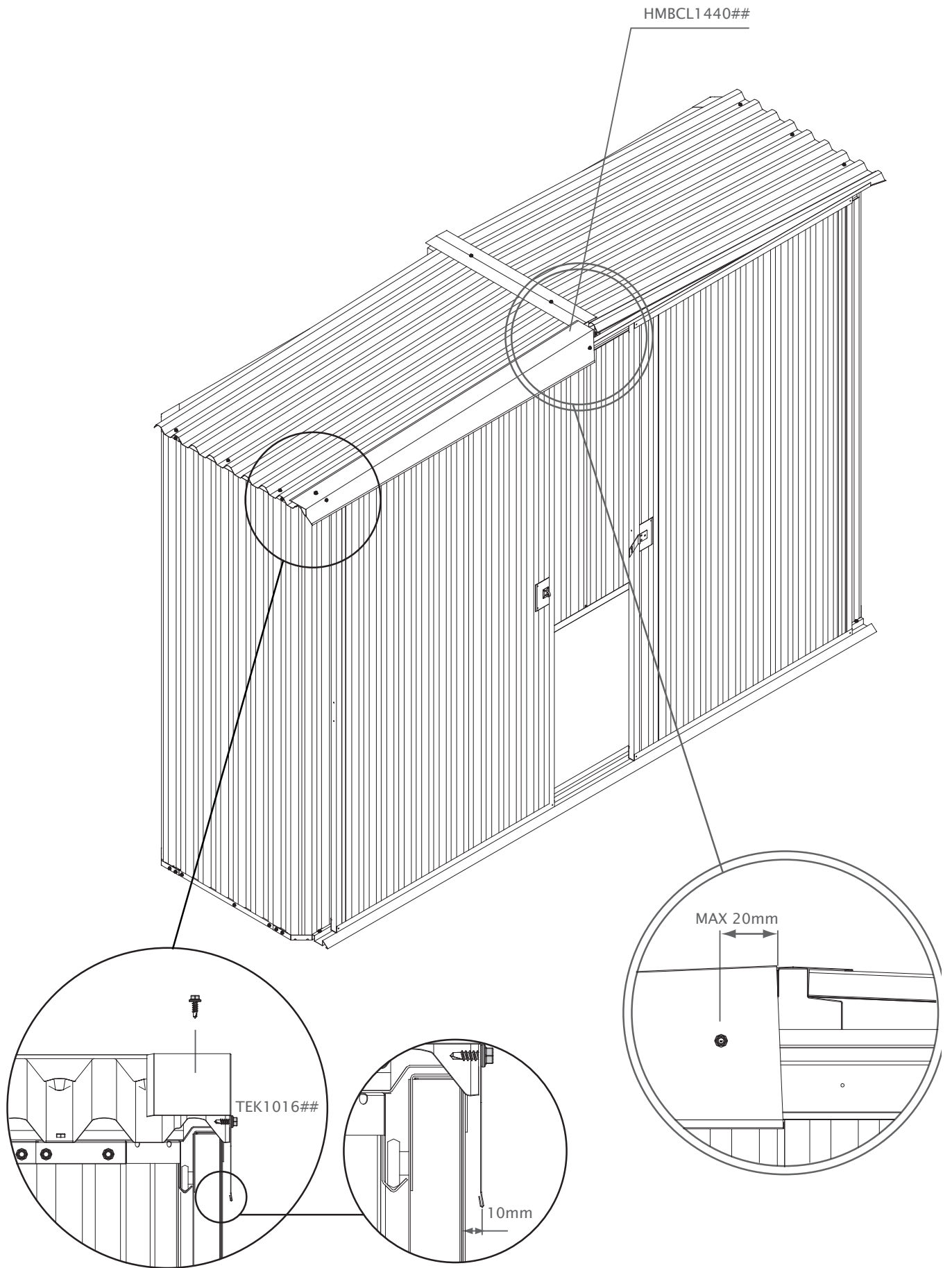


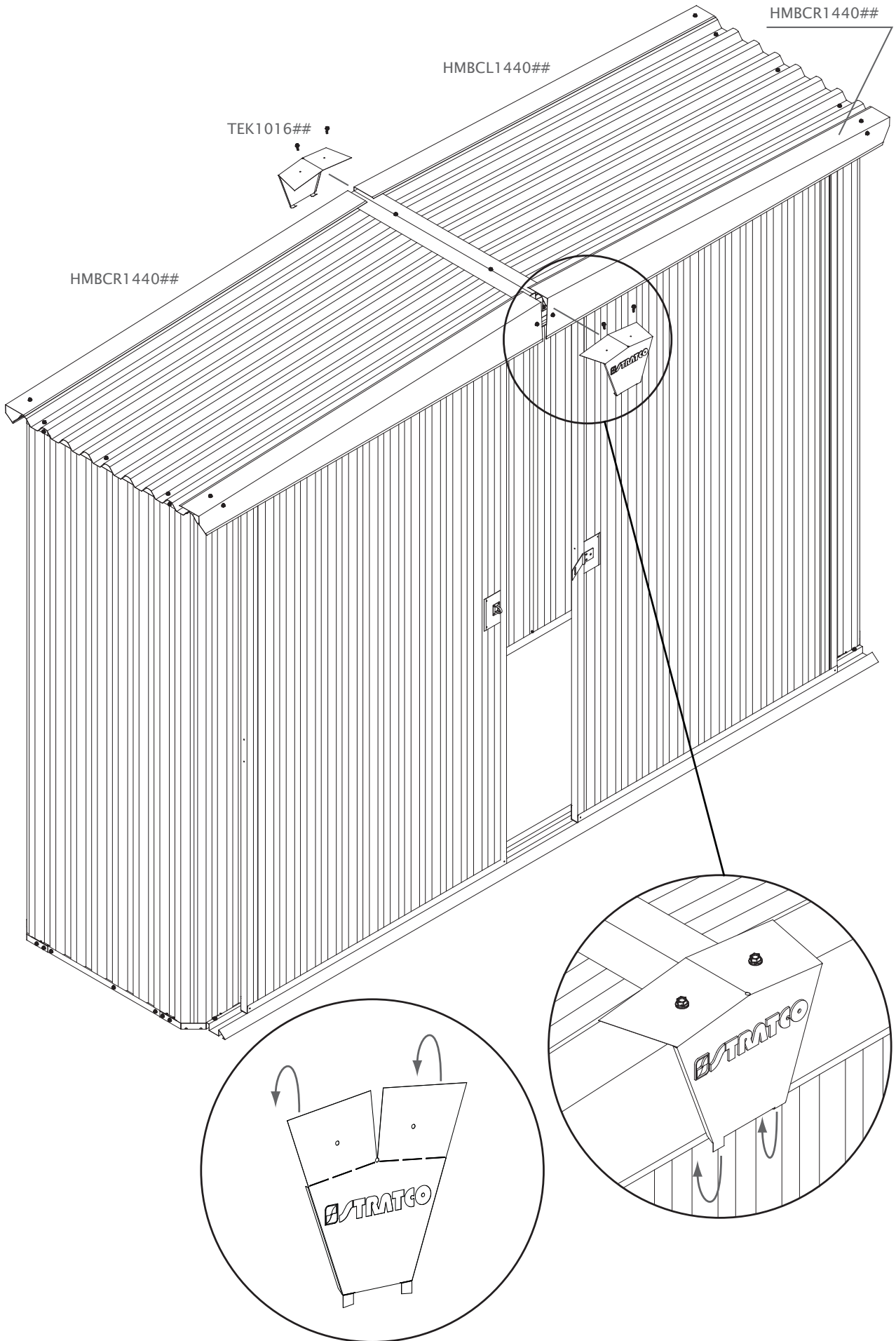
9



10







SECURE THE SHED

The installer is responsible for ensuring the slab or concrete squares are sufficient to support the shed and sustain wind loading. Do not directly anchor your shed to pavers.

MAINTENANCE

Your Stratco Handi-Mate™ Shed will maintain its good looks for even longer with a simple wash and wipe down. Cleaning should be performed as often as is required to remove any dirt, salt and pollutants.

Stratco Handi-Mate™ Sheds are produced from the highest quality materials and will provide many years of service. Refer to the 'Selection Use and Maintenance' brochure for more information on how to get the best out of your product.

