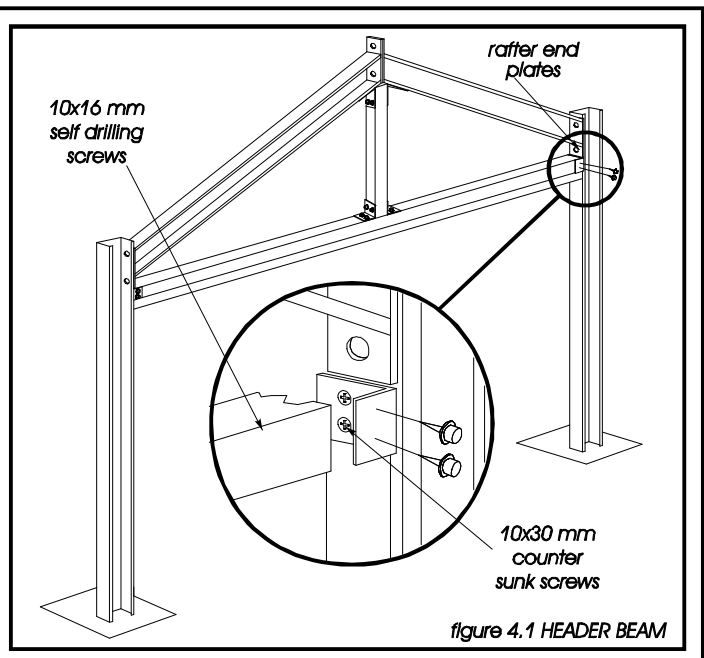
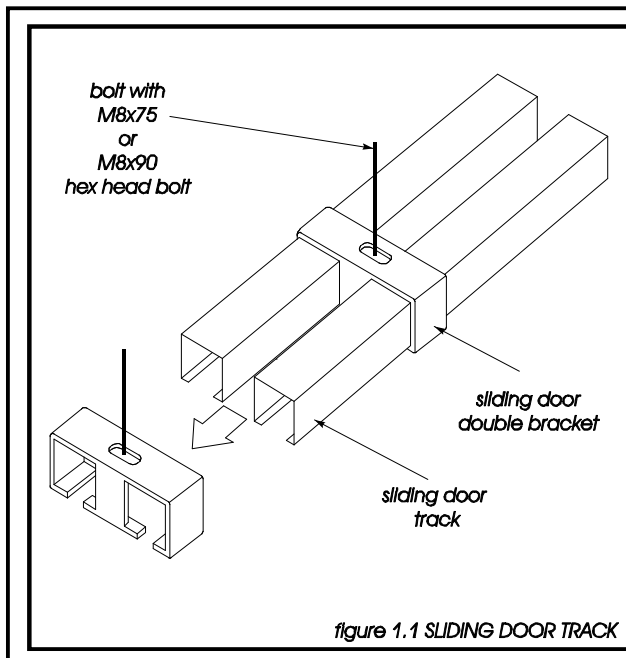


2 x SLIDING DOORS IN GABLE END (Type 3)

This page is designed to give you the basic assembly techniques required to install 2 sliding doors into the gable end of your Stratco Gable Homeshed. Please use this page in conjunction with the main set of instruction supplied, "Stratco Gable Homesheds, Framework".



Step 1

Push both sliding door tracks through the double brackets and space at 800mm centres as illustrated in *figure 1.1 SLIDING DOOR TRACK*.

Place the track and brackets on top of the 50x50mm or 65x65mm header beam and mark the hole locations for each bracket. Drill 10mm diameter holes as marked.

Step 2

Bolt the track to the header beam with one M8x75mm or M8x90mm hex head bolt per bracket.

Step 3

Slide two nylon 4 wheel carriages into the end of each sliding door track.

Step 4

Fix the front header beam between the two front columns. Use two header beam brackets as illustrated in *figure 4.1 HEADER BEAM*. Screw two brackets to each column with two 10x30mm counter sunk screws. Screw the header beam to the column brackets with two 10x16mm self tapping screws.

The beam can be fixed directly under the rafter end plates.

Step 5

Fix the vertical strut between the apex and header beam. Use 2 additional header beam brackets at the strut/beam junction, and 2 apex brackets at the strut/apex junction. Fasten each bracket with two 10x16mm self drilling screws as illustrated in *figure 4.1 HEADER BEAM*.

Step 6

Pop rivet the sliding door flashing to the 50x50mm or 65x65mm header beam as illustrated in *figure 6.1 GABLE END*.

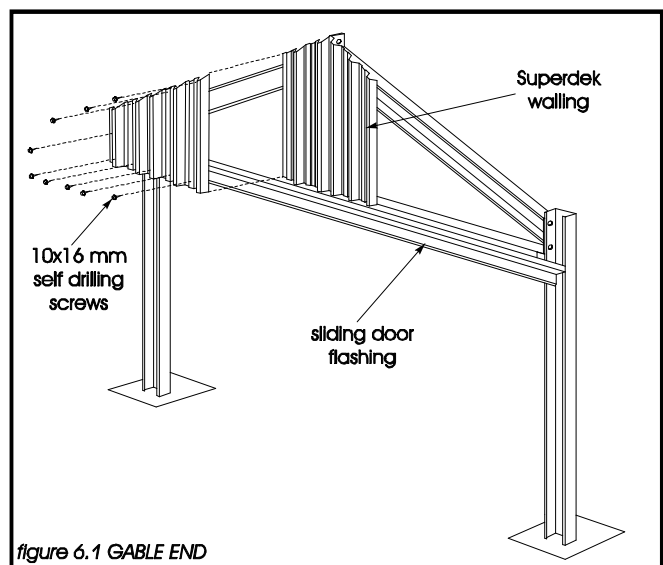
Step 7

Pan fix the Superdek wall sheets to the open gable end with 10x16mm self drilling screws.

Step 8

The barge capping and corner flashings can also be fixed to the gable end.

Fix all flashings with pop rivets at 800mm centres.



2 x SLIDING DOORS IN GABLE END (Type 3)

Step 9

Fix a track stop into each end of the front sliding door track.

Step 10 sliding door frame

Pan fix the Stratco Superdek wall sheets to the sliding door frame with 10x16mm self tapping screws as illustrated in figure 10.1 SLIDING DOOR FRAME.

Start from one end, ensuring the under-lap lip is aligned with the edge of the frame as illustrated in figure 10.2 SLIDING DOOR FRAME.

Rotate the final sheet, fixing the under-lap lip to the other end of the frame.

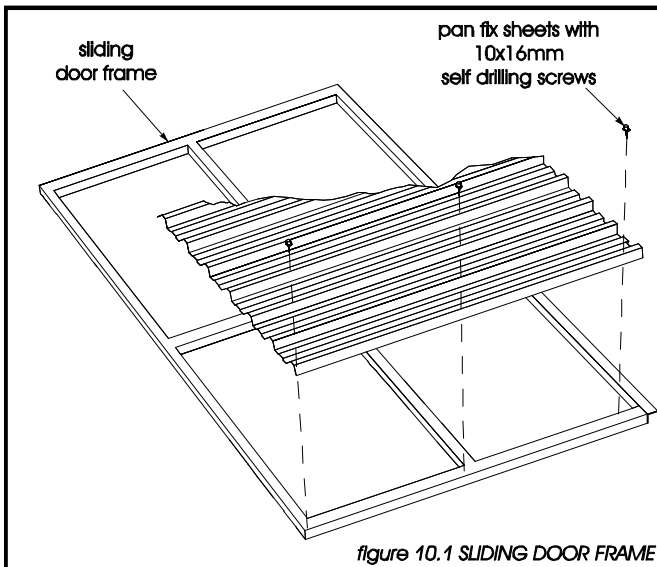


figure 10.1 SLIDING DOOR FRAME

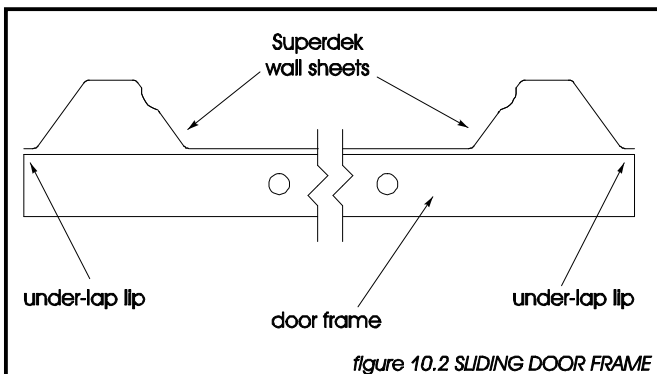


figure 10.2 SLIDING DOOR FRAME

Step 11

Lift the door, and stand it directly under the door track. Insert the carriage pin through the top of the door frame and secure with a nut as illustrated in figure 11.1 SLIDING DOOR CARRIAGE.

Adjust the height of the door accordingly. Ensure the door slides before footings are poured.

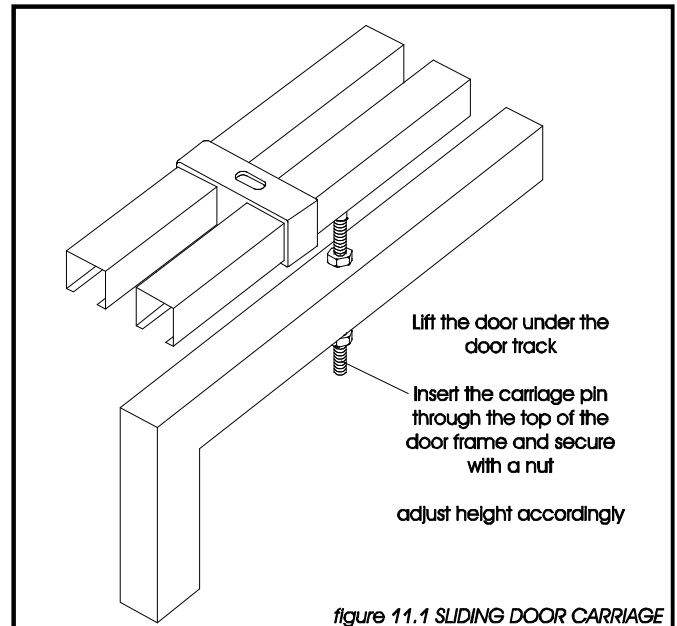


figure 11.1 SLIDING DOOR CARRIAGE

Step 12

Once the footings have been poured, bolt the polycarbonate floor guides to a concrete base with four M8x65mm masonry anchors.

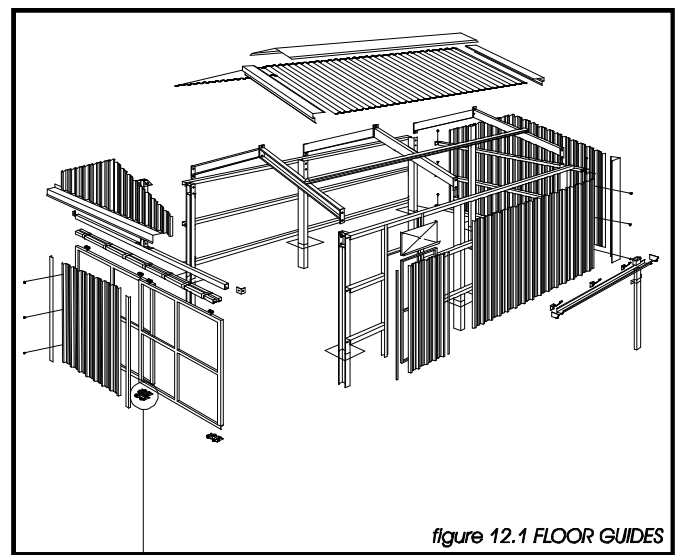


figure 12.1 FLOOR GUIDES

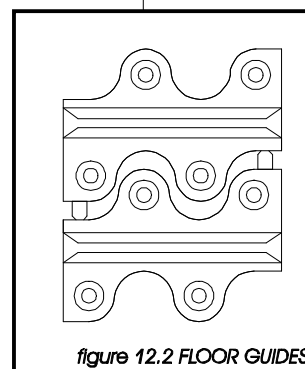


figure 12.2 FLOOR GUIDES

The central floor guides are located side by side as illustrated in figure 12.2 FLOOR GUIDES.

Step 13 sliding door lock

Please refer to the Manufacturer's installation details for the sliding door lock assembly instructions.