

## 3 x TRIPLE SLIDING DOOR IN GUTTER SIDE (Type 6)

This page is designed to give you the basic assembly techniques required to install 3 sliding doors into the gutter side of your Stratco Gable Homeshed. Please use this page in conjunction with the main set of instructions supplied, "Stratco Gable Homesheds, Framework".

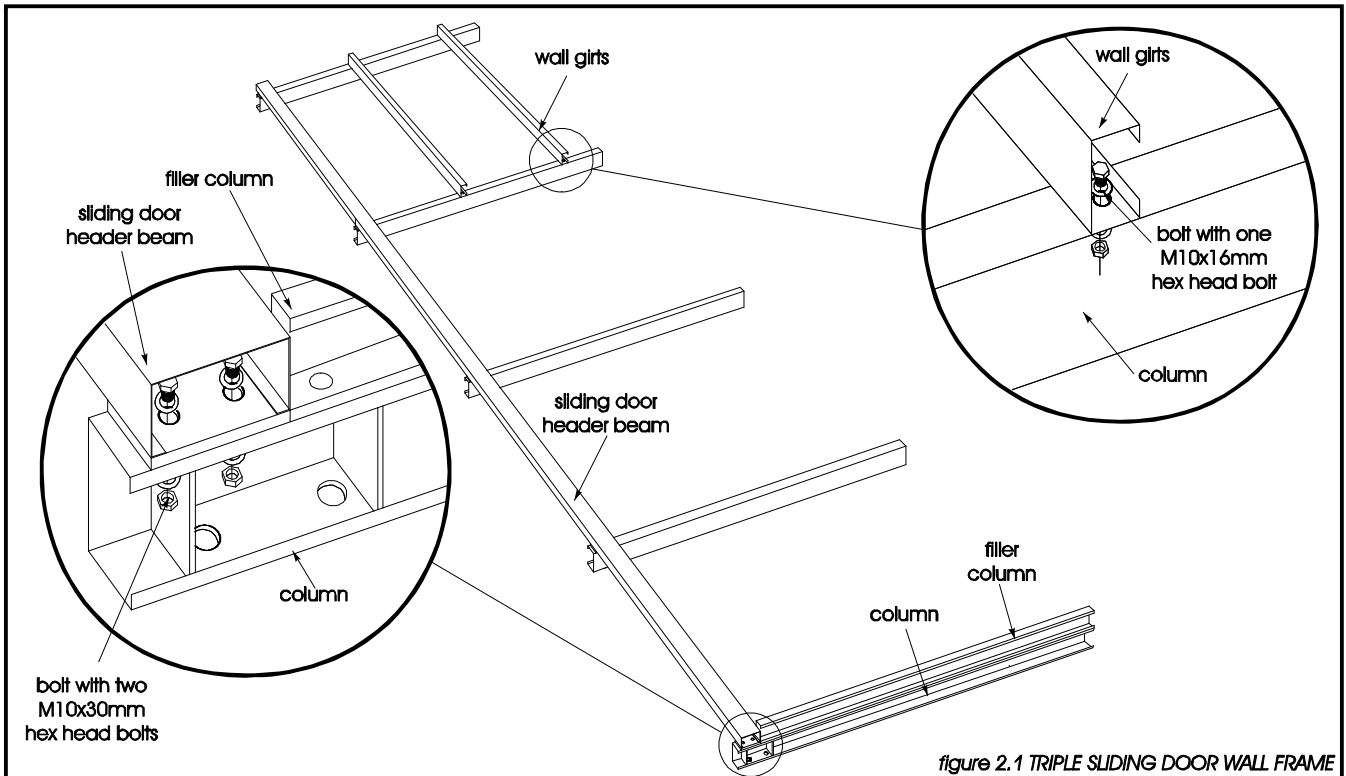


figure 2.1 TRIPLE SLIDING DOOR WALL FRAME

### Step 1 wall frame

Lay the lipped c-section columns on the ground making sure the open side of each column is facing the correct way.

As a general rule, the open side of each column will face the rear of the Homeshed, except the front columns which face the front of the Homeshed.

### Step 2

Place the sliding door header beam across the columns and match the pre-drilled holes as illustrated in *figure 2.1 TRIPLE SLIDING DOOR WALL FRAME*.

Fix the header beam to each column with two M10x30mm hex head bolts. Use 2 washers, each side of the material being clamped.

### Step 3 wall sheets for Homesheds longer than 9.3m

Place the wall girts across the columns, leaving an opening between the columns where the sliding doors are positioned.

Match the pre-drilled holes and fix the girts to each column with a M10x16mm hex head bolt. Use 2 washers, each side of the material being clamped.

### Step 4

Place the filler column on top of the front end column as illustrated in *figure 2.1 TRIPLE SLIDING DOOR WALL FRAME*.

Match the pre-drilled holes and fasten both columns together with three M10x16mm hex head bolts.

For Homesheds shorter than 12.3m long, a filler column will need to be fixed to the rear end column. Similarly, match the pre-drilled holes and fasten both columns together with three M10x16mm hex head bolts.

### Step 5 end panel wall sheets for Homesheds longer than 6.2m

Ensure framework is square and the diagonal measurements are equal.

Start sheeting from one end, ensuring the under-lap is aligned with the edge of the wall girts.

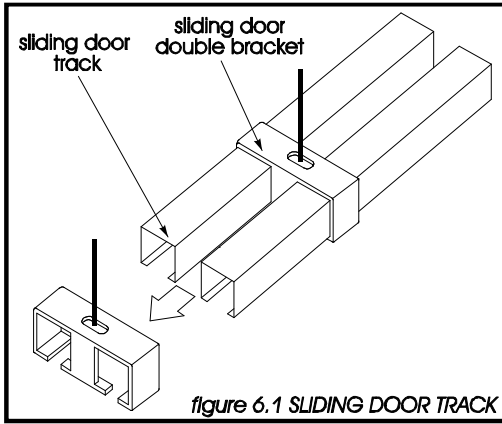
Pan fix the wall sheets with 10x16mm self tapping screws at every wall sheet and girt junction.

The top of each wall sheet must finish 5mm below the top of the sliding door header beam. This will prevent any rubbing between wall and roof sheets.

## 3 x TRIPLE SLIDING DOOR IN GUTTER SIDE (Type 6)

### Step 6

Push both sliding door tracks through the double brackets. space the brackets at approximately 800 mm centres as illustrated in *figure 6.1 SLIDING DOOR TRACK*.



Slide two nylon 4 wheel carriages into each sliding door track.

### Step 7

Drill the base of the header beam with 10mm diameter holes at 800mm centres to match the bracket spacing. Bolt the double brackets with track to the under side of the header beam with M8x20mm hex head bolts. Refer to *figure 9.1 SLIDING DOOR TRACK*.

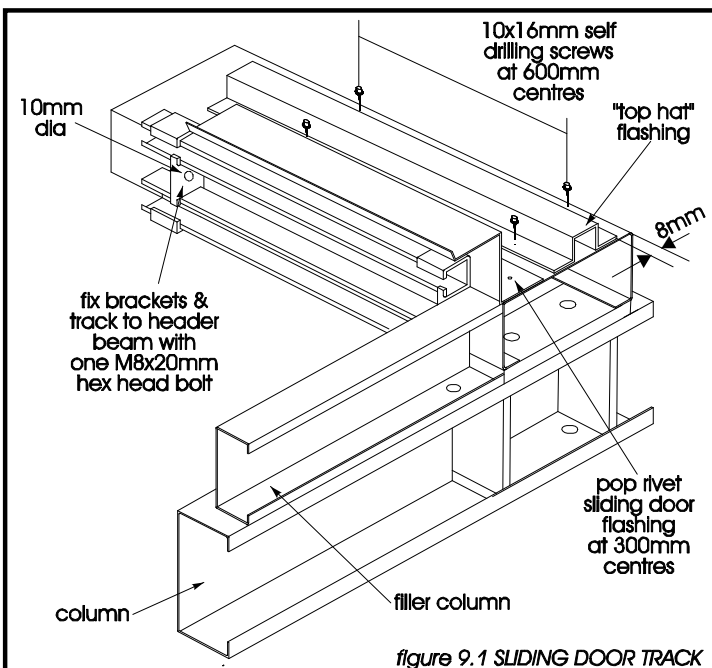
### Step 8

Pop rivet the sliding door flashing to the header beam at 300 mm centres. Position the flashing above the track as illustrated in *figure 9.1 and 10.1*.

### Step 9

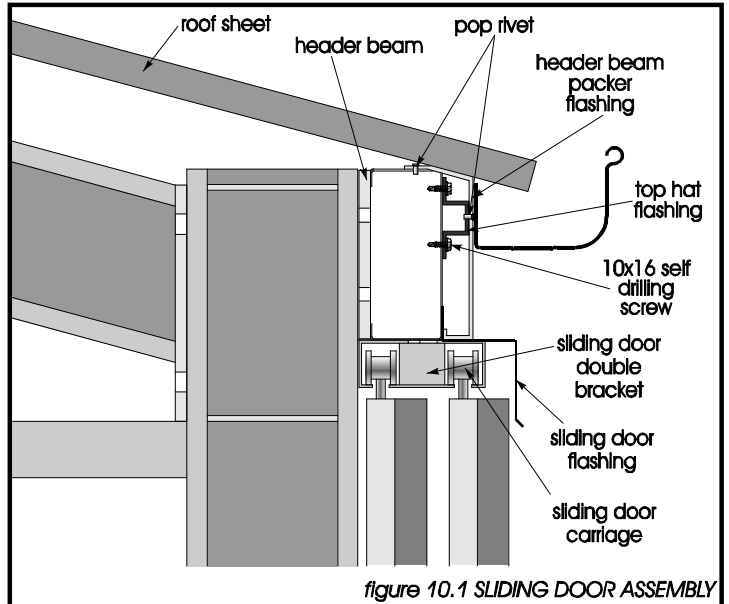
A "top hat" shaped flashing has been supplied to pack the area above the sliding door. Fix the "top hat" flashing to the header beam at 600mm centres with 10x16mm self drilling screws. This is illustrated in *figure 9.1 SLIDING DOOR TRACK*.

Position the "top hat" flashing 8mm below the top edge of the header beam.



### Step 10

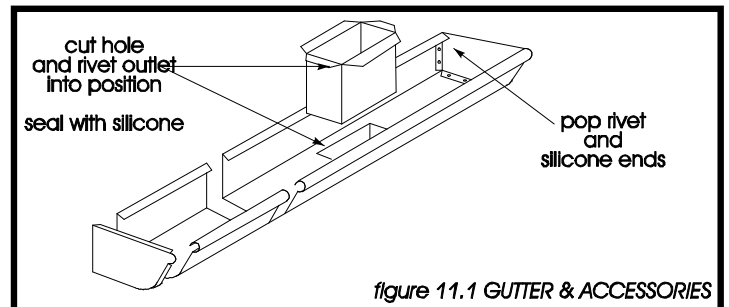
Fix the header beam packer flashing to the "top hat" flashing and header beam with pop rivets at approximately 300mm centres.



### Step 11 gutter and downpipe

Pop rivet a left and right hand stop end to each length of gutter. Seal with silicone.

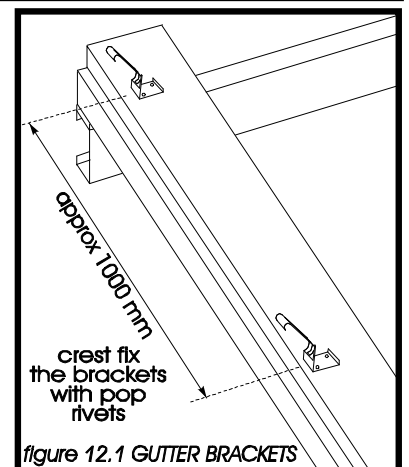
Cut a hole for each downpipe outlet and rivet the outlet into position. Seal with silicone.



### Step 12

Crest fix the gutter brackets to the header beam flashing at approximately 1000 mm centres with pop rivets.

Once the gutter brackets have been installed, roll the gutter bead onto the gutter bracket and clip the back of the gutter into position.



### Step 13 standing wall frame

Stand the wall frame in the footing holes, and temporarily brace it with props.

## 3 x TRIPLE SLIDING DOOR IN GUTTER SIDE (Type 6)

### Step 14

Fix a track stop into each end of the front sliding door track.

### Step 15 sliding door frame

Pan fix the Stratco Superdek wall sheets to the sliding door frame with 10x16 mm self tapping screws as illustrated in *figure 15.1 SLIDING DOOR FRAME*.

Start from one end, ensuring the under-lap lip is aligned with the edge of the frame. This is shown in *figure 15.2 SLIDING DOOR FRAME*.

Rotate the final sheet, fixing the under-lap lip to the other end of the frame.

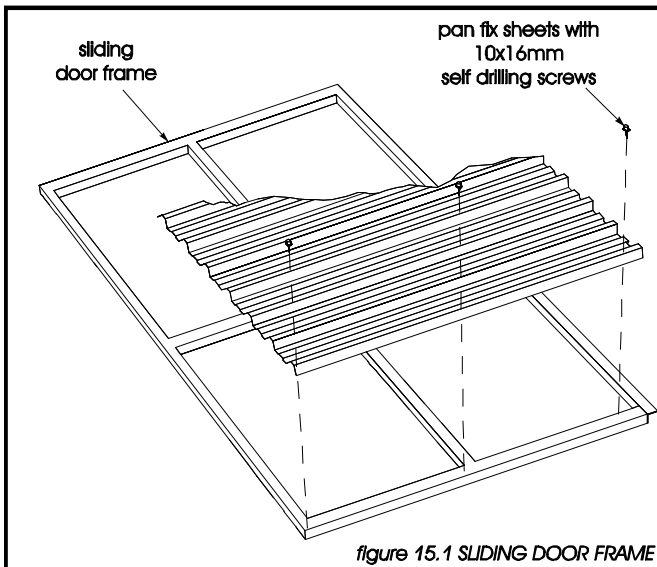


figure 15.1 SLIDING DOOR FRAME

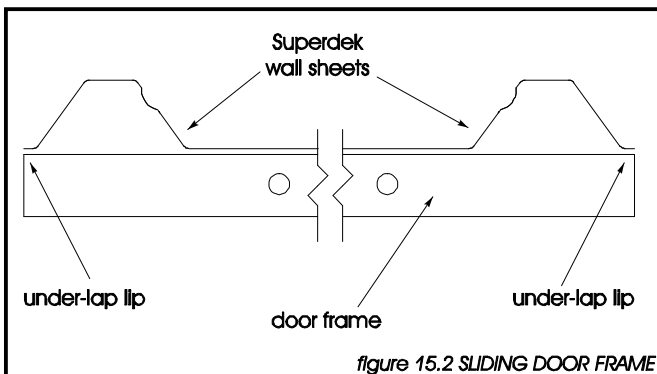


figure 15.2 SLIDING DOOR FRAME

### Step 16

Lift the door, and stand it directly under the door track. Insert the carriage pin through the top of the door frame and secure with a nut as illustrated in *figure 16.1 SLIDING DOOR CARRIAGE*.

Adjust the height of the door accordingly. Ensure the door slides before footings are poured.

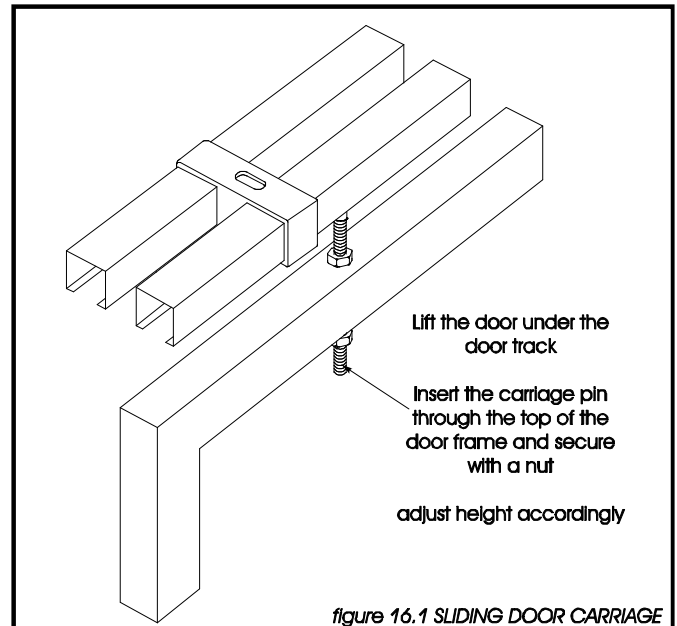


figure 16.1 SLIDING DOOR CARRIAGE

### Step 17

Once the footings have been poured, bolt the polycarbonate floor guides to a concrete base with four M8.0x65 mm masonry anchors.

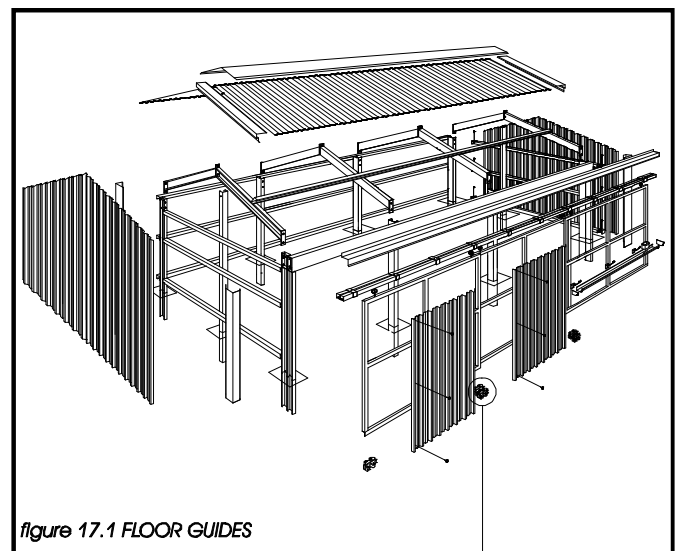


figure 17.1 FLOOR GUIDES

The central floor guides are located side by side as illustrated in *figure 17.2 FLOOR GUIDES*.

### Step 18 sliding door lock

Please refer to the Manufacturer's installation details for the sliding door lock assembly instructions.

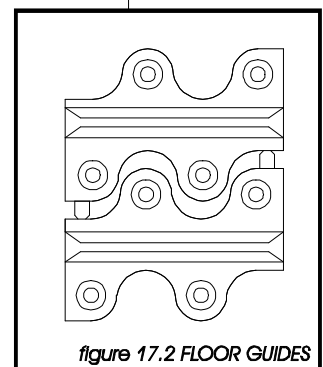


figure 17.2 FLOOR GUIDES