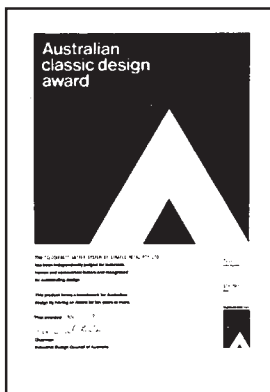




CLICKFAST® Fascia and Gutter System

WHY YOU SHOULD INSIST ON THIS PRODUCT



AWARD WINNING DESIGN

The Clickfast Fascia & Gutter system is one of the few products in Australia to receive the coveted "Classic" design award. Your guarantee of excellence.

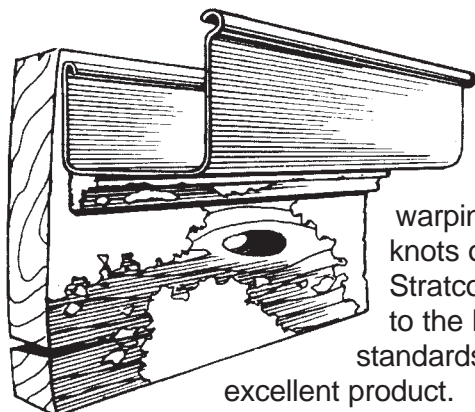
FAST, EFFICIENT INSTALLATION

Stratco has a network of experienced installers who provide quality erection in the minimum amount of time.

This ensures a fast trouble-free job and the best material and the best tradespeople for your project.

PRICED RIGHT

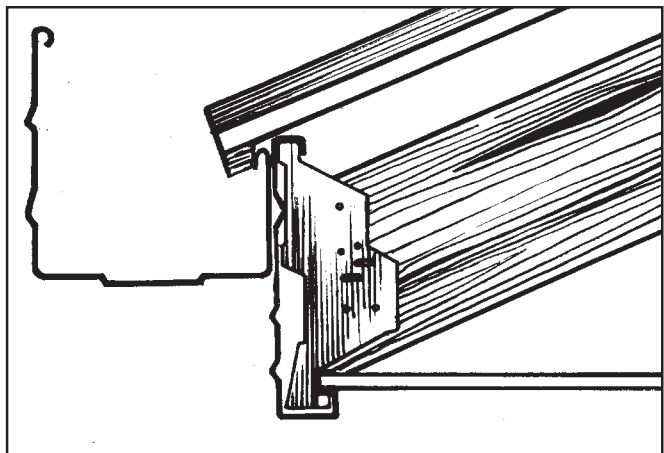
Steel is not subject to large price fluctuations caused by uncertain supply. It is produced economically and its quality means installation costs are kept low as well.



CONSISTENT QUALITY

Unlike timber you will not experience warping, bowing, knots or cracking. Stratco manufacture to the highest standards to produce an excellent product.

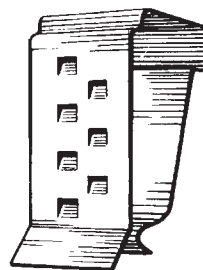
EXTRA STRENGTH CONSTRUCTION



Nailing into side grain of rafters is far stronger than nailing into end grain which may open up releasing the nails.

FLEXIBLE

The fascia & gutter have free horizontal movement allowing uniform expansion & contraction whilst minimising distortion.



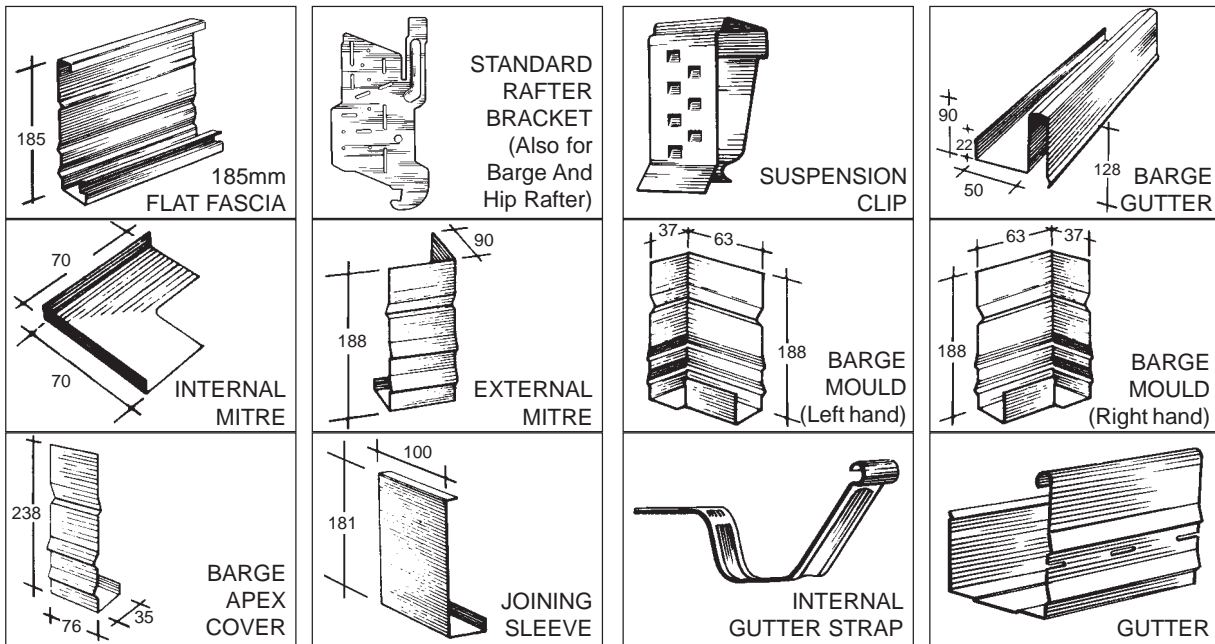
GUTTERS EASILY ADJUSTED

The revolutionary suspension clip allows you to select the amount of fall the gutter receives. Your gutters can even be adjusted later to correct house settlement.

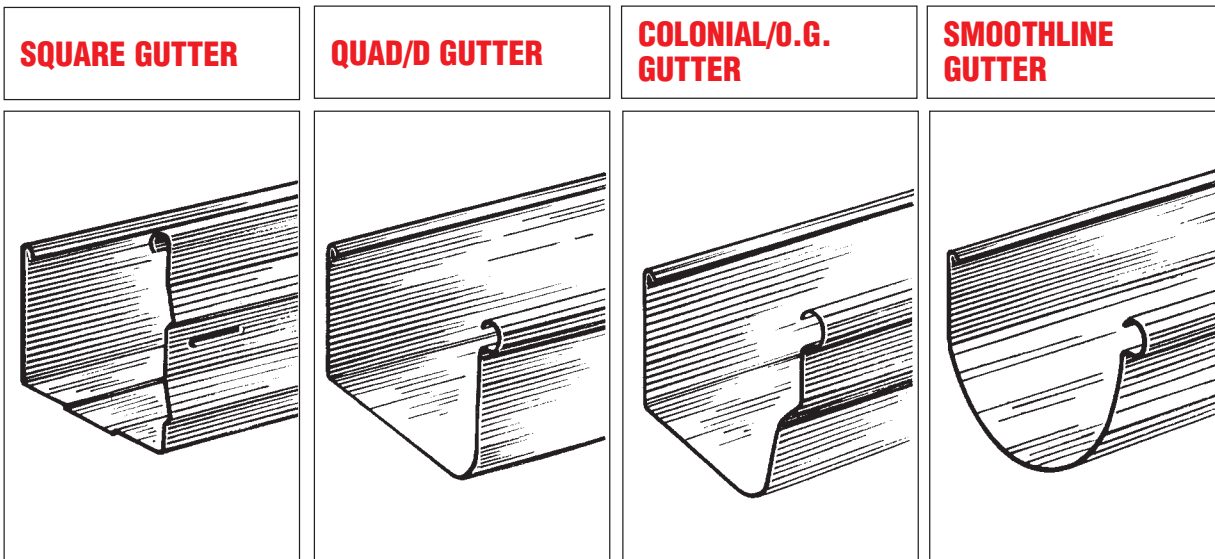
WIDE GUTTER RANGE

Stratco manufactures a wide range of gutters compatible with the Clickfast system. Galv, Zinalume & colour options are available.

COMPONENTS OF THE CLICKFAST FASCIA AND GUTTER SYSTEM



MAJOR GUTTER PROFILES



COLOUR OPTIONS

WASHCOAT: Stratco fascia is available pre-primed to reduce your painting costs.

COLOUR: For those who do not wish to paint, a wide range of factory applied colours are available.

IMPORTANT: CONSULT YOUR NEAREST STRATCO OFFICE FOR AVAILABILITY IN YOUR REGION

GUTTERS

There are styles to suit contemporary, colonial, tudor & federation style homes. The wide range of gutters & accessories will provide the perfect match for your home.

AUSTRALIAN STANDARDS

Clickfast Fascia & Gutter System was designed to comply with Australian Standard AS 2180-1986 "Metal Rainwater Goods - Section & Installation". This standard requires that eaves gutters receive a minimum 1 in 500 fall.

Rebate metal fascias are often unable to comply without complex structural alterations and systems where brackets rivet to the fascia reducing flexibility.

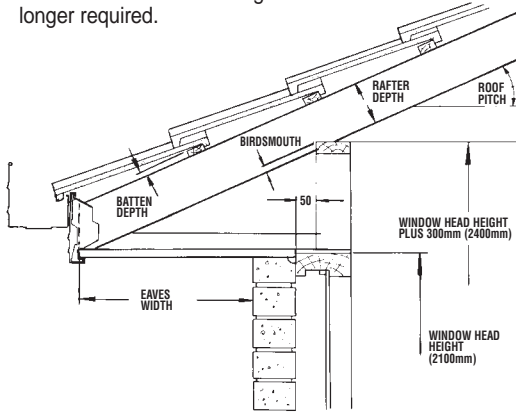
The Clickfast system has been successfully used by major builders for more than 20 years and remains the industry leader.

MAINTENANCE: For specifications on maintenance, fixing methods, handling, storage and a wide range of other important facts, consult the "Selection Use and Maintenance of Stratco Steel Products" brochure.

INSTALLATION OF THE CLICKFAST FASCIA AND GUTTER SYSTEM

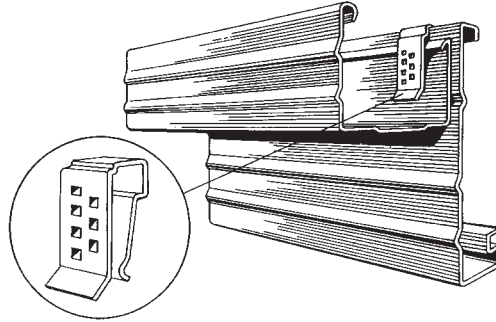
1 EAVES CONSTRUCTION

The Clickfast Fascia & Gutter System is completely compatible with normal building construction. It complements steel or tiled roofs and means that accurate cutting of rafter ends is no longer required.



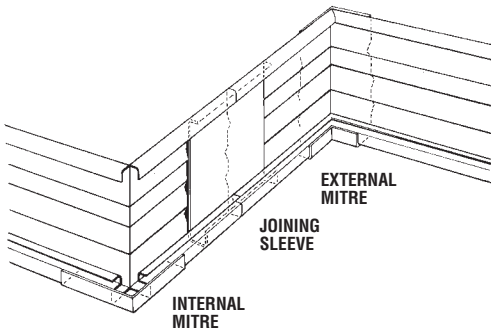
2 EASILY ASSEMBLED

The patented gutter suspension clip is notched to allow easy falling of gutters. These high strength spring-steel clips attach to a suspension rib found on Stratco gutters.



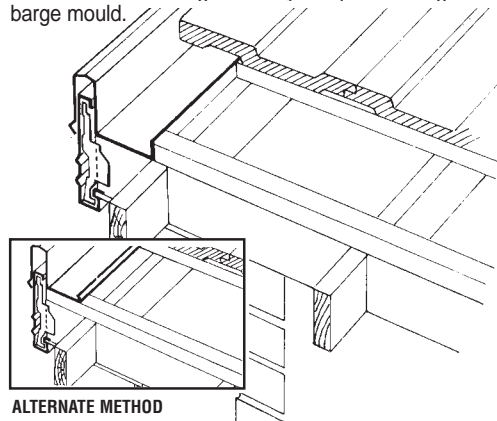
3 FINISHING OFF

Because it is a complete system, external and internal mitres present no problem and joining two lengths of fascia together is easily done by using a concealed joining sleeve. All components are simply riveted together.



4 SIMPLE STEEL BARGES

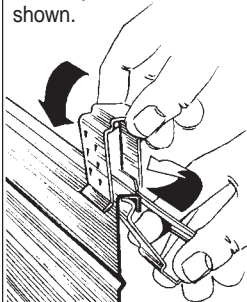
Now the simple elegant lines of your fascia can continue up the barges providing a consistent look all round the house. The junction between fascia & barge is easily completed using a barge mould.



GUTTER INSTALLATION

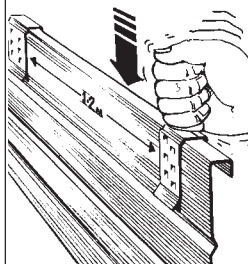
1 ROLL IN CLIPS

Push suspension clip up from rear and into the vertical position as shown.



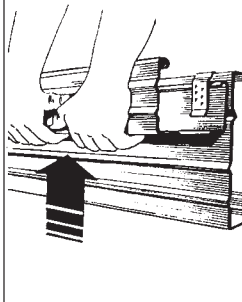
2 CLIP SPACING

Knock suspension clip down with fist. Place at 1.2 metre intervals.



3 INSTALL GUTTER

Pull gutter upwards until suspension clip engages.



4 FIX INTERNAL STRAPS

Roll gutter strap into bead & press over top of fascia.

