

ALFRESCO KITCHEN RANGE



CUCINA APERTO RANGE



CA 1
2502 x 640 x 920 WxDxH(mm)

PAGE
04



SINK + TAP

PAGE
10



CA 2
3138 x 640 x 920 WxDxH(mm)

PAGE
04



OUTDOOR CANOPY

PAGE
10



CA 3
3138 x 640 x 920 WxDxH(mm)

PAGE
05



BEVERAGE FRIDGE

PAGE
10



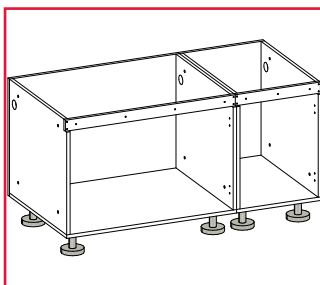
CA 4
3774 x 640 x 920 WxDxH(mm)

PAGE
05



4 & 6 BURNER BBQ

PAGE
11



CUSTOMISE TO SUIT YOUR SPACE

PAGE
06-09



WASTE BIN + CLEANING AGENT

PAGE
12

COLOUR RANGE

COMPACT LAMINATE DOOR AND DRAWER FRONT COLOUR RANGE



VINTAGE WHITE



CLOUD



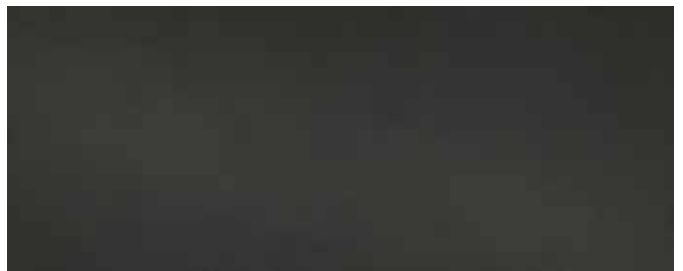
CHESTNUT



GREYWOOD



BRUSHED METAL



MIDNIGHT

* Kickboards are supplied in Brushed Metal only.

STONE BENCHTOPS AND SLAB ENDS



GRANITE BLACK PEARL



GRANITE STEEL GREY



NATURAL QUARTZ ENGLISH GREY

* Colours may vary to actual product due to the printing process. Always check a physical sample before ordering.

Dimensions in mm Dimensional data not binding. We reserve the right to alter specifications without notice.

CA 1



GREYWOOD

> Features:	2 Door Cabinet 3 Door BBQ Cabinet 2 Door Gas Bottle Cabinet
> Kitchen Width (mm):	2502

COMPLETE SET WITHOUT SINK AND TAP

Door Colour	English Grey Natural Quartz Benchtops & Slab Ends	Black Pearl Granite Benchtops & Slab Ends	Steel Grey Granite Benchtops & Slab Ends
Cloud	CO-4702	CO-4567	CO-4568
Vintage White	CO-4705	CO-4573	CO-4574
Midnight	CO-4704	CO-4571	CO-4572
Greywood	CO-4703	CO-4569	CO-4570
Brushed Metal	CO-4701	CO-4563	CO-4564
Chestnut	CO-4700	CO-4565	CO-4566

Packing: 1 Piece



Supplied with:
> Brushed metal kickboard

COMPLETE SET WITH LEFT/ RIGHT HAND SINK AND TAP

Door Colour	English Grey Natural Quartz Benchtops & Slab Ends	Black Pearl Granite Benchtops & Slab Ends	Steel Grey Granite Benchtops & Slab Ends
Cloud	CO-4726	CO-4615	CO-4616
Vintage White	CO-4729	CO-4621	CO-4622
Midnight	CO-4728	CO-4619	CO-4620
Greywood	CO-4727	CO-4617	CO-4618
Brushed Metal	CO-4724	CO-4611	CO-4612
Chestnut	CO-4725	CO-4613	CO-4614

Packing: 1 Piece



Supplied with:
> Brushed metal kickboard



Note:
Barbeque depicted is for illustrative purposes. Refer to page 11 for Barbeque Specifications.

CA 2



MIDNIGHT

> Features:	2 Door Cabinet 2 Door Gas Bottle Cabinet 3 Door BBQ Cabinet 3 Drawer Cabinet
> Kitchen Width (mm):	3138

COMPLETE SET WITHOUT SINK AND TAP

Door and Drawer Front Colour	English Grey Natural Quartz Benchtops & Slab Ends	Black Pearl Granite Benchtops & Slab Ends	Steel Grey Granite Benchtops & Slab Ends
Cloud	CO-4708	CO-4579	CO-4580
Vintage White	CO-4711	CO-4585	CO-4586
Midnight	CO-4710	CO-4583	CO-4584
Greywood	CO-4709	CO-4581	CO-4582
Brushed Metal	CO-4706	CO-4575	CO-4576
Chestnut	CO-4707	CO-4577	CO-4578

Packing: 1 Piece



Supplied with:
> Brushed metal kickboard

COMPLETE SETS

Door and Drawer Front Colour	English Grey Natural Quartz Benchtops & Slab Ends	Black Pearl Granite Benchtops & Slab Ends	Steel Grey Granite Benchtops & Slab Ends
------------------------------	---	---	--

WITH LEFT HAND SINK AND TAP

Cloud	CO-4732	CO-4627	CO-4628
Vintage White	CO-4735	CO-4633	CO-4634
Midnight	CO-4734	CO-4631	CO-4632
Greywood	CO-4733	CO-4629	CO-4630
Brushed Metal	CO-4730	CO-4623	CO-4624
Chestnut	CO-4731	CO-4625	CO-4626

WITH RIGHT HAND SINK AND TAP

Cloud	CO-4742	CO-4749	CO-4750
Vintage White	CO-4758	CO-4757	CO-4759
Midnight	CO-4756	CO-4754	CO-4755
Greywood	CO-4752	CO-4751	CO-4753
Brushed Metal	CO-4744	CO-4743	CO-4745
Chestnut	CO-4747	CO-4746	CO-4748

Packing: 1 Piece



Supplied with:
> Brushed metal kickboard



Note:
Barbeque depicted is for illustrative purposes. Refer to page 11 for Barbeque Specifications.

CA 3



CLOUD

- > Features:
 - 3 Drawer Cabinet
 - 3 Door BBQ Cabinet
 - 2 Door Gas Bottle Cabinet
 - Fridge Cabinet
- > Kitchen Width (mm): 3138

COMPLETE SET WITHOUT SINK AND TAP

Door and Drawer Front Colour	English Grey Natural Quartz Benchtops & Slab Ends	Black Pearl Granite Benchtops & Slab Ends	Steel Grey Granite Benchtops & Slab Ends
Cloud	CO-4714	CO-4591	CO-4592
Vintage White	CO-4717	CO-4597	CO-4598
Midnight	CO-4716	CO-4595	CO-4596
Greywood	CO-4715	CO-4593	CO-4594
Brushed Metal	CO-4712	CO-4587	CO-4588
Chestnut	CO-4713	CO-4589	CO-4590

Packing: 1 Piece



Supplied with:
> Brushed metal kickboard



Note:
Barbeque, Beverage Fridge and Outdoor Canopy rangehood depicted is for illustrative purposes. Refer Page 10 and 11 for Appliance Specifications.

CA 4



VINTAGE WHITE

- > Features:
 - 2 Door Cabinet
 - 3 Drawer Cabinet
 - 3 Door BBQ Cabinet
 - 2 Door Gas Bottle Cabinet
 - Fridge Cabinet
- > Kitchen Width (mm): 3774

COMPLETE SET WITHOUT SINK AND TAP

Door and Drawer Front Colour	English Grey Natural Quartz Benchtops & Slab Ends	Black Pearl Granite Benchtops & Slab Ends	Steel Grey Granite Benchtops & Slab Ends
Cloud	CO-4718	CO-4603	CO-4604
Vintage White	CO-4723	CO-4609	CO-4610
Midnight	CO-4722	CO-4607	CO-4608
Greywood	CO-4721	CO-4605	CO-4606
Brushed Metal	CO-4719	CO-4599	CO-4600
Chestnut	CO-4720	CO-4601	CO-4602

Packing: 1 Piece



Supplied with:
> Brushed metal kickboard

COMPLETE SETS

Door and Drawer Front Colour	English Grey Natural Quartz Benchtops & Slab Ends	Black Pearl Granite Benchtops & Slab Ends	Steel Grey Granite Benchtops & Slab Ends
------------------------------	---	---	--

WITH LEFT HAND SINK AND TAP

Cloud	CO-4738	CO-4639	CO-4640
Vintage White	CO-4741	CO-4645	CO-4646
Midnight	CO-4740	CO-4643	CO-4644
Greywood	CO-4739	CO-4641	CO-4642
Brushed Metal	CO-4736	CO-4635	CO-4636
Chestnut	CO-4737	CO-4637	CO-4638

WITH RIGHT HAND SINK AND TAP

Cloud	CO-4767	CO-4766	CO-4768
Vintage White	CO-4776	CO-4775	CO-4777
Midnight	CO-4774	CO-4772	CO-4773
Greywood	CO-4770	CO-4769	CO-4771
Brushed Metal	CO-4761	CO-4760	CO-4762
Chestnut	CO-4764	CO-4763	CO-4765

Packing: 1 Piece

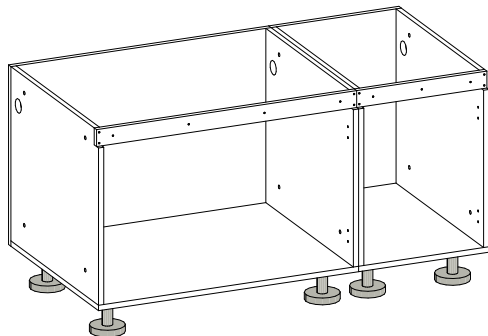


Supplied with:
> Brushed metal kickboard



Note:
Barbeque and Beverage Fridge depicted is for illustrative purposes. Refer Page 10 & 11 for Appliance Specifications

BBQ CABINET



> Version:	3 door version for 6 burner BBQ
> Material:	White PVC foam filled carcass with white PVC edging
> Dimensions (mm):	1190 (1x793,1x397) x 630 x 625 (WxHxD)
	Cat. No. CO-4530

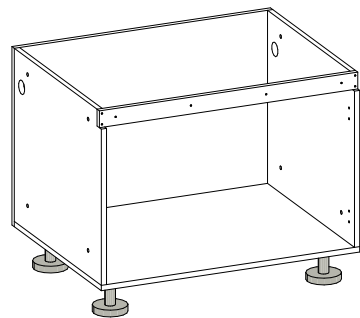
Packing: 1 Piece

COMPACT LAMINATE DOORS AND RAILS TO SUIT 3 DOOR BBQ CABINET

Colour	Cat. No.
Cloud	CO-4538
Vintage White	CO-4541
Brushed Metal	CO-4536
Midnight	CO-4540
Greywood	CO-4539
Chestnut	CO-4537

Packing: 1 Set (3 x Doors, 2 x Rails)

BBQ CABINET



> Version:	2 door version for 4 burner BBQ Designed to also suit built-in Weber BBQ
> Material:	White PVC foam filled carcass with white PVC edging
> Dimensions (mm):	906 x 630 x 625 (W x H x D)
	Cat. No. CO-4793

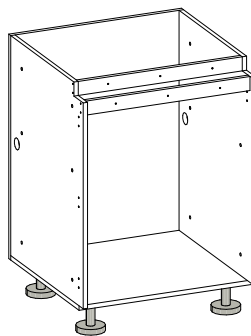
Packing: 1 Piece

COMPACT LAMINATE DOORS AND RAILS TO SUIT 2 DOOR BBQ CABINET

Colour	Cat. No.
Cloud	CO-4796
Vintage White	CO-4799
Brushed Metal	CO-4794
Midnight	CO-4798
Greywood	CO-4797
Chestnut	CO-4795

Packing: 1 Set (2 x Doors, 1 x Rail)

GAS BOTTLE CABINET



> Material:	White PVC foam filled carcass with white PVC edging
> Dimensions (mm):	636 x 900 x 625 (WxHxD)
	Cat. No. CO-4533

Packing: 1 Piece

COMPACT LAMINATE DOORS AND RAILS TO SUIT GAS BOTTLE CABINET

Colour	Cat. No.
Cloud	CO-4544
Vintage White	CO-4547
Brushed Metal	CO-4542
Midnight	CO-4546
Greywood	CO-4545
Chestnut	CO-4543

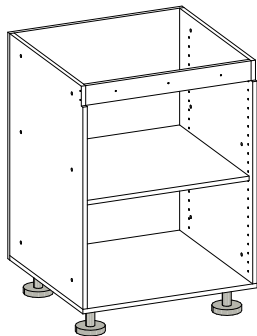
Packing: 1 Set (2 x Doors, 2 x Rails)



Note:

Only the Gas bottle cabinet to be used for a Gas bottle as it has specific venting to comply with Australian Standards.

CABINET WITH ADJUSTABLE SHELF



- > Material: White PVC foam filled carcass with white PVC edging
- > Dimensions (mm): 636 x 900 x 625 (WxHxD)

	Cat. No.
	CO-4534

Packing: 1 Piece

COMPACT LAMINATE DOORS AND RAIL TO SUIT CABINET WITH SHELF

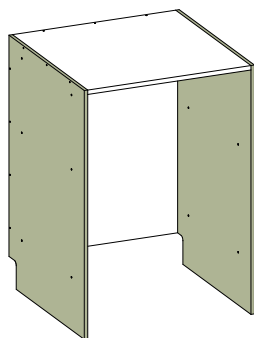
Colour	Cat. No.
Cloud	CO-4550
Vintage White	CO-4553
Brushed Metal	CO-4548
Midnight	CO-4552
Greywood	CO-4551
Chestnut	CO-4549

Packing: 1 Set (2 x Doors, 1 x Rail)



Note: Do not use the Cabinet with shelf for a Gas bottle

FRIDGE CABINET



- > Material: White PVC foam filled back and top panel
- > Dimensions (mm): 636 x 900 x 625 (WxHxD)

	Cat. No.
	CO-4532

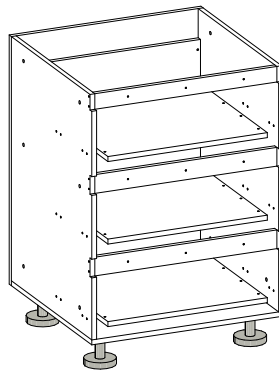
Packing: 1 Piece

COMPACT LAMINATE ENDS TO SUIT FRIDGE CABINET

Colour	Cat. No.
Cloud	CO-4655
Vintage White	CO-4658
Brushed Metal	CO-4653
Midnight	CO-4657
Greywood	CO-4656
Chestnut	CO-4654

Packing: 1 Set (2 x Ends)

3 DRAWER CABINET



- > Material: White PVC foam filled carcass with white PVC edging, PVC foam filled drawer bases and backs. Soft close drawers.
- > Dimensions (mm): 636 x 900 x 625 (WxHxD)

	Cat. No.
	CO-4531

Packing: 1 Piece

COMPACT LAMINATE DRAWER FRONTS AND RAILS TO SUIT 3 DRAWER CABINET

Colour	Cat. No.
Cloud	CO-4649
Vintage White	CO-4652
Brushed Metal	CO-4647
Midnight	CO-4657
Greywood	CO-4656
Chestnut	CO-4654

Packing: 1 Set (3 x Drawer Fronts, 3 x Rails)

STONE BENCHTOP SET FOR 3 DOOR BBQ CABINET

BLACK PEARL

Description	Size W x D x T (mm)	Qty	Cat. No.
Granite benchtop	1185 x 640 x 20	1	CO-4522
Granite side upstand	250 x 640 x 20	2	
Granite back upstand	270 x 1145 x 20	1	

Packing: 1 Set (4 Pieces)

STEEL GREY

Description	Size W x D x T (mm)	Qty	Cat. No.
Granite benchtop	1185 x 640 x 20	1	CO-4523
Granite side upstand	250 x 640 x 20	2	
Granite back upstand	270 x 1145 x 20	1	

Packing: 1 Set (4 Pieces)

ENGLISH GREY

Description	Size W x D x T (mm)	Qty	Cat. No.
Natural Quartz benchtop	1185 x 640 x 20	1	CO-4694
Natural Quartz side upstand	250 x 640 x 20	2	
Natural Quartz back upstand	270 x 1145 x 20	1	

Packing: 1 Set (4 Pieces)

STONE BENCHTOP SET FOR 2 DOOR BBQ CABINET

BLACK PEARL

Description	Size W x D x T (mm)	Qty	Cat. No.
Granite benchtop	906 x 640 x 20	1	CO-4805
Granite side outer upstand	280 x 640 x 20	2	
Granite side inner upstand	270 x 503 x 20	2	
Granite side inner upstand	250 x 135 x 20	2	
Granite back upstand	865 x 135 x 20	1	

Packing: 1 Set (8 Pieces)

STEEL GREY

Description	Size W x D x T (mm)	Qty	Cat. No.
Granite benchtop	906 x 640 x 20	1	CO-4806
Granite side outer upstand	280 x 640 x 20	2	
Granite side inner upstand	270 x 503 x 20	2	
Granite side inner upstand	250 x 135 x 20	2	
Granite back upstand	865 x 135 x 20	1	

Packing: 1 Set (8 Pieces)

STONE BENCHTOP SET

FOR 2 DOOR BBQ CABINET (CONTINUED)

ENGLISH GREY

Description	Size W x D x T (mm)	Qty	Cat. No.
Natural Quartz benchtop	906 x 640 x 20	1	CO-4807
Natural Quartz side outer upstand	280 x 640 x 20	2	
Natural Quartz side inner upstand	270 x 503 x 20	2	
Natural Quartz side inner upstand	250 x 135 x 20	2	
Natural Quartz back upstand	865 x 135 x 20	1	

Packing: 1 Set (8 Pieces)

STONE BENCHTOP

FOR 1 X CABINET

BLACK PEARL

Description	Size W x D x T (mm)	Cat. No.
Granite benchtop	679 x 640 x 20	CO-4506
Granite benchtop with sink cut-out & tap hole	679 x 640 x 20	CO-4508

Packing: 1 Piece

STEEL GREY

Description	Size W x D x T (mm)	Cat. No.
Granite benchtop	679 x 640 x 20	CO-4507
Granite benchtop with sink cut-out & tap hole	679 x 640 x 20	CO-4509

Packing: 1 Piece

ENGLISH GREY

Description	Size W x D x T (mm)	Cat. No.
Natural Quartz benchtop	679 x 640 x 20	CO-4687
Natural Quartz benchtop with sink cut-out & tap hole	679 x 640 x 20	CO-4688

Packing: 1 Piece

STONE BENCHTOP

FOR 2 X CABINETS

BLACK PEARL

Description	Size W x D x T (mm)	Cat. No.
Granite benchtop	1315 x 640 x 20	CO-4510
Granite benchtop with left hand sink cut-out & tap hole	1315 x 640 x 20	CO-4511
Granite benchtop with right hand sink cut-out & tap hole	1315 x 640 x 20	CO-4513

Packing: 1 Piece

STONE BENCHTOP

FOR 2 X CABINETS (CONTINUED)

STEEL GREY

Description	Size W x D x T (mm)	Cat. No.
Granite benchtop	1315 x 640 x 20	CO-4515
Granite benchtop with left hand sink cut-out & tap hole	1315 x 640 x 20	CO-4512
Granite benchtop with right hand sink cut-out & tap hole	1315 x 640 x 20	CO-4514

Packing: 1 Piece

ENGLISH GREY

Description	Size W x D x T (mm)	Cat. No.
Natural Quartz benchtop	1315 x 640 x 20	CO-4689
Natural Quartz benchtop with left hand sink cut-out & tap hole	1315 x 640 x 20	CO-4691
Natural Quartz benchtop with right hand sink cut-out & tap hole	1315 x 640 x 20	CO-4690

Packing: 1 Piece

STONE BENCHTOP

FOR 3 X CABINETS

BLACK PEARL

Description	Size W x D x T (mm)	Cat. No.
Granite benchtop	1951 x 640 x 20	CO-4516
Granite benchtop with left hand sink cut-out & tap hole	1951 x 640 x 20	CO-4517
Granite benchtop with right hand sink cut-out & tap hole	1951 x 640 x 20	CO-4519

Packing: 1 Piece

STEEL GREY

Description	Size W x D x T (mm)	Cat. No.
Granite benchtop	1951 x 640 x 20	CO-4521
Granite benchtop with left hand sink cut-out & tap hole	1951 x 640 x 20	CO-4518
Granite benchtop with right hand sink cut-out & tap hole	1951 x 640 x 20	CO-4520

Packing: 1 Piece

STONE BENCHTOP

FOR 3 X CABINETS (CONTINUED)

ENGLISH GREY

Description	Size W x D x T (mm)	Cat. No.
Natural Quartz benchtop	1951 x 640 x 20	CO-4692
Natural Quartz benchtop with left hand sink cut-out & tap hole	1951 x 640 x 20	CO-4693
Natural Quartz benchtop with right hand sink cut-out & tap hole	1951 x 640 x 20	CO-4780

Packing: 1 Piece

STONE SLAB ENDS

GRANITE BLACK PEARL

Size H x D x T (mm)	Cat. No.
900 x 640 x 20	CO-4554

Packing: 1 Piece

GRANITE STEEL GREY

Size H x D x T (mm)	Cat. No.
900 x 640 x 20	CO-4555

Packing: 1 Piece

NATURAL QUARTZ ENGLISH GREY

Size H x D x T (mm)	Cat. No.
900 x 640 x 20	CO-4696

Packing: 1 Piece

COMPACT LAMINATE KICKBOARD

BRUSHED METAL

Size W x H (mm)	Suits	Cat. No.
636 x 100	1 x Cabinet	CO-4562
906 x 100	1 X BBQ Cabinet (2 Door Version)	CO-4808
1190 x 100	1 X BBQ Cabinet (3 Door Version)	CO-4559
1272 x 100	2 x Cabinets	CO-4560
1908 x 100	3 x Cabinets	CO-4561

Packing: 1 Piece

SQUARELINE SINK BOWL SINK



- > Features: 12 mm Internal radius
Single bowl
Round plug in waste with strainer
- > Dimensions (mm): 440 x 380 x 200 (W x D x H)
- > Material: 18/10 Stainless steel brushed finish
- > Mounting: Lay on

	Cat. No. CO-4663
--	----------------------------

Packing: 1 Piece

MIXER TAP GOOSENECK WITH PULL - OUT VEGGIE SPRAY

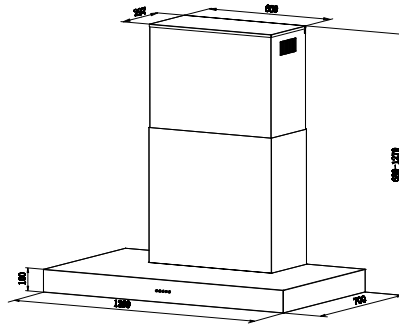


> Material:	Stainless Steel
-----------------------	-----------------

	Cat. No. CO-4664
--	----------------------------

Packing: 1 Piece

120 CM OUTDOOR BOX CANOPY RANGEHOOD

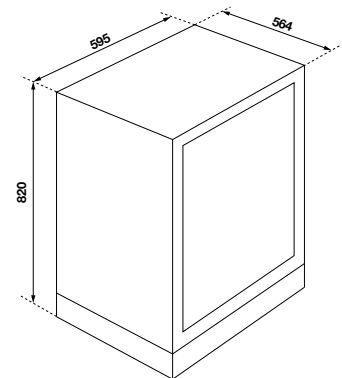


- > Features: Stainless Steel 304
Airflow 2000 m3/hr
6 rotatable LED lights
3 speed push button control
8 dishwasher safe baffle filters

	Cat. No. CO-4662
--	----------------------------

Packing: 1 Piece

60CM OUTDOOR BEVERAGE FRIDGE

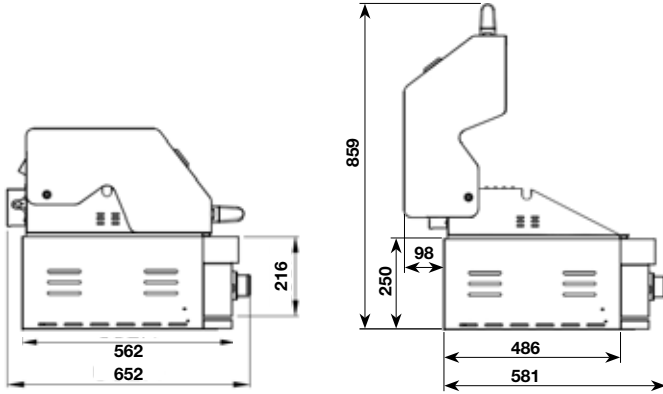
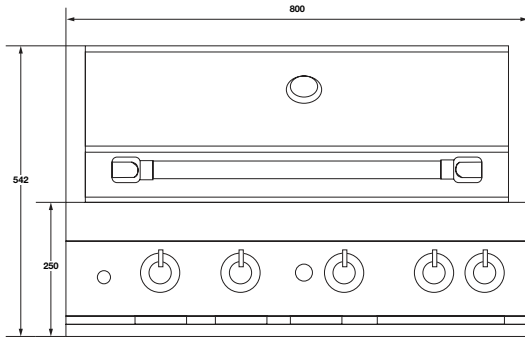


- > Features: 304 Stainless Steel with glass
Triple glazed heated glass door to prevent condensation.
Single Zone, 118L capacity
IPX4 Outdoor rating
Internal LED strip lighting
Electronic controls
Temperature range 0-10°C
Tropical rated: Ambient temp up to 43°C

	Cat. No. CO-4556
--	----------------------------

Packing: 1 Piece

4 BURNER BARBEQUE

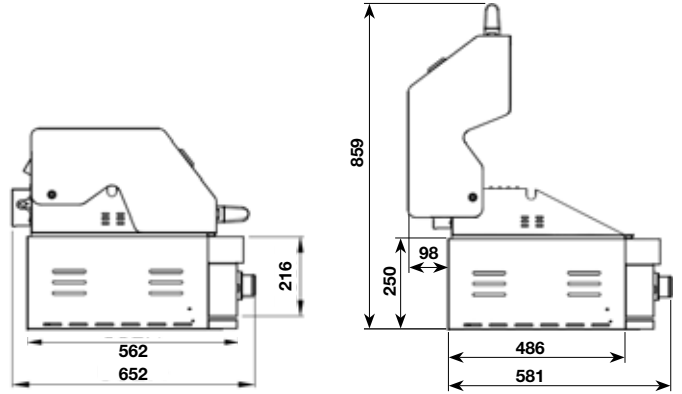
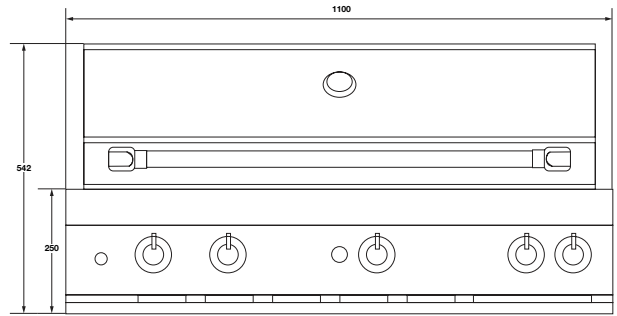


- > Features:**
- Stainless Steel 304
 - 4 Burners + 1 Rear Infrared burner
 - Gas Type: LPG / Propane, Natural gas conversion kit supplied with product.
 - 1 x 290 mm Stainless Steel grill plates,
 - 1 x 350 mm Solid cast plate
 - Warming rack
 - Internal 12V lights
 - LED knob lights
 - Barbeque Cover
 - Thermostat in double skin hood
 - Self supporting or bracket mount

Cat. No.
CO-4781

Packing: 1 Piece

6 BURNER BARBEQUE



- > Features:**
- Stainless Steel 304
 - 6 Burners + 1 Rear Infrared burner
 - Gas Type: LPG / Propane, Natural gas conversion kit supplied with product.
 - 2 x 290 mm Stainless Steel grill plates,
 - 1 x 350 mm Solid cast plate
 - Warming rack
 - Internal 12V lights
 - LED knob lights
 - Barbeque Cover
 - Thermostat in double skin hood
 - Self supporting or bracket mount

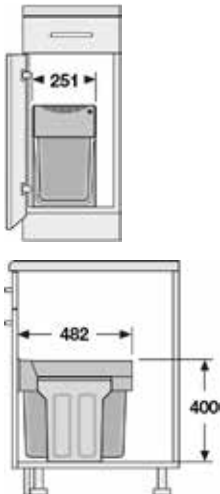
Cat. No.
CO-4524

Packing: 1 Piece

Dimensions in mm Dimensional data not binding. We reserve the right to alter specifications without notice.

TANDEM 30

2 X 15 LITRE CAPACITY



- > Material: Bin holder mounting components and runners: steel
Lid and pails: Plastic
- > For carcass width: 300 mm
- > Colour: Grey plastic-coated frame, dark grey plastic pails and lid
- > Features: Designed to be withdrawn from the cabinet whilst the lid lifts and remains in the cabinet
The frame incorporates its own runners and is secured to the carcass base

	Capacity (Litres)	Cat. No.
Tandem 30	30 (2 x 15)	CO-4529

Packing: 1 Piece

CLEANING AGENT



- > Features: Base mounted, under sink pull-out unit.
All plastic elements are detachable for easy cleaning and are dishwasher safe.
One piece base with streamlined wire surround.
Single bowl.
- > Material: Steel frame and runner, steel and plastic modular elements.
- > Finish: Grey powder-coated frame, runner and modular elements, grey modular elements.
- > Dimensions (mm): 298 x 480 x 480 (W x D x H)
- > Load Capacity (kg): 12
- > Extension length (mm): 440

	Cat. No.
	CO-4535

Packing: 1 Piece

SMOVE SOFT CLOSE DEVICE



- > Features: Smove is a device used to soften the closing action of any furniture door with concealed hinges.
The universal adaptor, made of durable plastic, enables Smove to be used with Alfresco Kitchen doors.
- > Material: Plastic

	Cat. No.
2 Door Pack	CO-4782
3 Door Pack (Special Order)	450.72.105

Packing: 1 Piece



Note: When fixing to PVC cabinet, use supplied nylon sockets. Predrill Ø5 x 12.5 mm deep holes for each fixing screw.

PLANNING AND INSTALLATION

When planning your Alfresco Kitchen the following points need to be considered.

- > The positioning of the Alfresco Kitchen must be undercover. Avoid, direct sunlight and weather. The materials used are resistant to weather but prolonged exposure to the weather will cause permanent damage.
- > Our Alfresco Kitchen has compact laminate door and drawer fronts, granite tops and granite slab ends so if the Alfresco Kitchen will be installed on an elevated deck or balcony the integrity and load capacity of the structure is paramount. For example the Barbeque Cabinet with a 6 Burner Barbeque is approximately 300 Kg per M2. Engage a Qualified Trades person or Engineer to ensure the structure can support this additional weight.
- > If the Alfresco Kitchen will be backing onto a wall the wall material must be non-combustible, i.e. Cement Sheet (Blue board), Masonry/Brick...
- > Plan any outdoor power outlets and have installed prior to your Alfresco Kitchen Installation, particularly if a Beverage Fridge or Outdoor Canopy will be installed, or your Barbeque Rotisserie comes with a 240 volt motor.
- > When it comes to the actual Alfresco Kitchen the starting point is the 3 Door Barbeque Cabinet which requires a Gas Bottle Cabinet located next to this either left or right side. Please note the maximum number of cabinets either left or right side of the Barbeque Cabinet is 3, as the longest granite top is 1951mm which covers 3 cabinets. Any additional cabinets in the run will show joints between the granite tops that would require sealing with appropriate silicone.
- > The Barbeque Cabinet area for a Barbeque is a specific size which is detailed in this brochure. When selecting your barbeque, check the specifications in particular the depth required when the barbeque hood is open to ensure the barbeque fits. Most barbeques are either self-supporting via feet and / or mounting brackets that are fitted to the barbeque sides and sit on the granite top. Either option needs to be checked so the barbeque when installed is stable and the feet or mounting brackets are within the granite front edge.

CUCINA APERTO ALFRESCO KITCHEN CARE & MAINTENANCE

Failure to adhere to the following recommended Care & Maintenance advice may void the product's warranty.

DOORS, DRAWER FRONTS, RAILS & KICKBOARD

Manufactured from Compact Laminate that's tough, impervious to water, stain and wear resistant makes this material ideal for Alfresco areas. To keep your compact laminate looking good they must not be exposed to direct sunlight or rain and periodically cleaned with a soft cloth moistened with plain water. Mild detergent can be added to plain water for spills. Avoid excessive water on the compact laminate.

CABINETS

All cabinets are made from PVC foamed filled material. The same care & maintenance regime for Compact Laminate applies to the cabinets. As soon as any spills are noticed inside a cabinet immediately dry the surface.

HARDWARE

Door Hinges, Soft Close Drawers and Pull-out Accessories, can be cleaned periodically with a clean dry cloth. Ensure moving parts are free from foreign matter and any liquid spills.

STONE BENCHTOPS AND SLAB ENDS GRANITE & NATURAL QUARTZ

A periodic clean with a soft cloth moistened with plain water is generally all that is required. For spills, a little mild detergent can be added to the water. Immediately clean up any spills to minimise the risk of staining from liquids such as red wine, coffee, tea... as even though the Granite and quartz are supplied pre-sealed they are not impervious to staining. We recommend specifically formulated Granite & Quartz cleaner and sealing products (that are generally available from a hardware store) when it is time to re-seal. The timing of this is when water is not beading on the surface as this will indicate the granite or quartz requires sealing. Avoid excessive heat as the Granite or Quartz may crack. It's inevitable that there will be scratches on the top from general use. Sliding, pots, pans, utensils across the surface will contribute to scratching but won't affect the performance of the top.

USE OUTDOORS ONLY

This appliance shall only be used in an above ground open-air situation with natural ventilation, without stagnant areas, where gas leakage and products of combustion are rapidly dispersed by wind and natural convection. Any outdoor enclosure in which the appliance is used shall comply with one of the following:

- > An enclosure with walls on all sides, but at least one permanent opening at ground level and no overhead cover. See Figure 1.
- > Within a partial enclosure that includes an overhead cover and no more than two walls. See Figure 2 & 3.
- > Within a partial enclosure that includes an overhead cover and more than two walls, the following shall apply:
At least 25% of the total wall area is completely open and unrestricted. See Figure 4 & 5.
At least 30% of the remaining wall area is open and unrestricted. See Figure 4 & 5.
- > In the case of balconies, at least 20% of the total of the side, back and front wall areas shall be and remain open and unrestricted.

The following diagrams provide a diagrammatic representation of outdoor areas. Rectangular areas have been used in these figures - the same principles apply to any other shaped area.



Figure 1: Enclosure with walls on all sides but no overhead cover



Figure 2: Partial enclosure with overhead cover and no more than two walls



Figure 3: Partial enclosure with overhead cover and no more than two walls

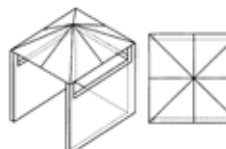


Figure 4: Open side at least 25% of total wall area. 30% or more in total of the remaining wall area is open and unrestricted.

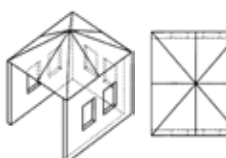


Figure 5: Open side at least 25% of total wall area. 30% or more in total of the remaining wall area is open and unrestricted.

HÄFELE 10 YEAR WARRANTY CUCINA APERTO ALFRESCO KITCHEN

Häfele Australia Pty Ltd ACN 006 021 432 (Häfele Australia), warrants all its products subject to the Conditions of Sale, accessible on the Häfele website at www.hafele.com.au.

Our Cucina Aperto Alfresco Kitchen comes with guarantees that cannot be excluded under the Australian Consumer Law. You are entitled to a replacement or refund for a major failure and compensation for any other reasonably foreseeable loss or damage. You are also entitled to have the goods repaired or replaced if the goods fail to be of acceptable quality and the failure does not amount to a major failure.

Where a failure does not amount to a major failure, Häfele will provide, at Häfele's option, a repair, replacement or refund for the Cucina Aperto Alfresco Kitchen component. If a product or component is no longer available and cannot be repaired, Häfele will, in its absolute discretion, replace the product with a substitute item.

Häfele Australia provides a 10 warranty on cabinets, doors, drawer fronts, rails, stone tops & stone components and hardware, with the following exceptions; Barbeque, Canopy Rangehood, Beveridge Fridge, Sink & Tap that carry a 2 year warranty supplied with these products.

Häfele will rectify, without charge to you, damage or faults on products proven to their satisfaction to be caused by an error in manufacture. No claim under this Warranty will be accepted for slight discrepancies from specifications, which are immaterial to the value and usability of the products, damage due to the following, are not covered by this 10 year warranty:

- Damage from transport and handling, misuse or abuse.
- Exposure to the weather, including, direct sunlight and rain.
- Excessive heat and moisture.
- Incorrect Installation.
- Normal Wear & Tear (scratches, staining, burn and scuff marks).
- Damage resulting from solvent based chemicals or other inappropriate cleaners.

This Warranty operates under the following conditions:

1. Any parts replaced become the property of Häfele Australia;
2. The warranty expires if unauthorised persons repair or interfere with the products, or if the products are fitted with supplementary parts or accessories that are not suited;
3. Repairs under this Warranty do not extend the warranty period and do not initiate a new warranty period and the warranty period for any replacement parts fitted ends together with the warranty for the entire product;
4. The warranty is transferrable for the period outlined under the product's express warranty.

To claim under this Warranty simply visit the supplier from which you purchased your Häfele hardware component, along with proof of purchase and documentary evidence of the fault. Such evidence may include photographs, statutory declarations, receipts or reports, depending on the loss or damage. Häfele will not be responsible for any costs incurred by the purchaser in bringing the product and/or evidence of the fault to the store.

The benefits to the purchaser given by this manufacturer's Warranty are in addition to all rights and remedies conveyed by the Competition and Consumer Act 2010 (Commonwealth) and any other statutory rights to which the purchaser may already be entitled, and this Warranty does not exclude, restrict or modify any such rights or remedies implied by law.

Häfele will not, under this Warranty, be responsible for consequential damages (such as loss of use) inconvenience, loss or damage to personal property, whether direct, indirect or economic and whether arising in contract or tort. Under this Warranty Häfele's responsibility shall not exceed the purchase price of the component or its replacement.

No other express warranty or representation has been made or will be made on behalf of Häfele with respect to its Cucina Aperto Alfresco Kitchen components, or the operation, repair or replacement of those components. No representative of Häfele or its distributors or retailers are authorised to make any changes or modifications to this Warranty.

This Warranty is provided by Häfele Australia Pty Ltd.

CUCINA APERTO ALFRESCO KITCHEN SINK & TAP - 2 YEAR WARRANTY

THANK YOU FOR PURCHASING A QUALITY SINK & TAP BY HÄFELE AUSTRALIA

Before going any further with the installation:

Inspect the sink for damage and dimensional compatibility. Do not attempt to install a damaged sink as this will void your warranty.

INSTALLATION INSTRUCTION FOR OVER MOUNT SINK

1. Ensure that the supplied cut-out gives the desired fit.
2. Position the sink in the cut-out hole and align properly.
3. Apply a continuous bead of neutral silicone sealant between the sink and the bench top and place into position.
4. Install the plumbing to the sink. This step & connecting the tap needs to be carried out by a qualified plumber.

Häfele bears no responsibility for faulty installation and the effects thereof.

CARING FOR STAINLESS STEEL

Stainless steel will generally be affected by normal domestic use, however, some items found in households do affect stainless steel. These include acids and chemicals such as pool chorine, battery acid, hydrochloric acid, solvents, glues and paint removers. Food and ingredients such as raw meat (especially salted) undiluted fruit juices (especially lemon) and spicy sauces may also cause damage. Bleach and Nappy Wash can affect stainless steel, rinse thoroughly with fresh water, if used on an occasional basis. Prolonged use is not recommended and a bucket should be used for frequent use of bleach. The improper use of these materials in or around your stainless steel product will void the warranty.

CLEANING STAINLESS STEEL

Stainless steel is easy to clean. Routine cleaning with soap, mild detergent or ammonia solutions in warm water, followed by a fresh water rinse is usually adequate for normal soiling. Repeated applications and the occasional use of a nylon scouring pad will often remove heavier soiling and even stains will become less noticeable and even invisible.

HEAVIER SOILING LIGHT STAINING

Apply the mildest household abrasive cleaner such as a creme cleanser or a paste made from soda bicarb, remember to wear gloves. Using a soft cloth, a fine nylon scouring pad or soft bristle brush, rub the surface as softly as possible, using long even strokes in the direction of the polished finish. Avoid using a circular motion. Rinse well and wash as per routine cleaning.

WARRANTY INFORMATION

Our goods come with guarantees that cannot be excluded under the Australian Consumer Law. You are entitled to a replacement or refund for a major failure and for compensation for any other reasonably foreseeable loss or damage. You are also entitled to have the goods repaired or replaced if the goods fail to be of acceptable quality and the failure does not amount to a major failure. Where a failure does not amount to a major failure, Häfele is entitled to choose between providing you with a repair, replacement or refund.

In addition to all rights and remedies to which you may be entitled under the Competition and Consumer Act 2010 (Commonwealth) and any other relevant legislation, the manufacturer warrants Häfele sinks & taps to be free from defects in workmanship for a period of 2 years from the date of purchase.

In order to claim under this warranty simply visit the store that supplied you with your Häfele Product, along with proof of purchase (typically this will be a receipt) and evidence of the fault (for example, a photo of the fault in the relevant product). Any cost incurred by you in bringing the product or evidence of the fault store will be borne by you. An inspection maybe required. We will then arrange, at our option or at the option of the manufacturer, either repair or replace the product, or refund your money and take back the product — in accordance with our Returns Policy.

Our liability under this manufacturer's warranty is subject to us being satisfied that a defect was caused by defective workmanship, and was not caused by or substantially contributed to by other factors, or circumstances beyond our control, including (but not limited to) defective installation, maintenance or repair, alteration or modification of the product in a manner not recommended by the manufacturers or any neglect, misuse or excessive use.

The benefits conferred by this manufacturer's warranty are in addition to all rights and remedies conveyed by the competition and Consumer Act 2010 (Commonwealth), and any other statutory rights to which you may already be entitled, and this warranty does not exclude, restrict or modify any such rights or remedies that are implied by law.

BARBEQUE, OUTDOOR CANOPY & BEVERAGE FRIDGE

2 year warranty by the manufacturer included in the product packaging.

HÄFELE

STRATCO ALFRESCO KITCHEN - 04.2019

Häfele Australia Pty. Ltd. | 8 Monterey Road | Dandenong | Victoria 3175
Phone: 1300 659 728 | **Fax:** (03) 9212 2001 | **Email:** info@hafele.com.au | www.hafele.com.au

Häfele New Zealand Ltd. | 16 Accent Drive | East Tamaki | Auckland 2013
Phone: 0800 442 335 | **Email:** info@hafele.co.nz | www.hafele.co.nz

HÄFELE LOCATIONS:

Australia | MELBOURNE | SYDNEY | NEWCASTLE | BRISBANE | ADELAIDE | LAUNCESTON | HOBART | PERTH
New Zealand | AUCKLAND | WELLINGTON | CHRISTCHURCH



« SCAN THIS QR CODE TO FIND A STRATCO NEAR YOU

1300 155 155
stratco.com.au

All brands and logos/images accompanied by ® or ™ are trade marks of Stratco (Australia) Pty Limited. © Copyright May 2019

How To.

