

How To.

ASSEMBLY GUIDE

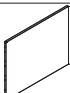
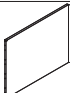

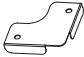

Twin Wall Garden Bed

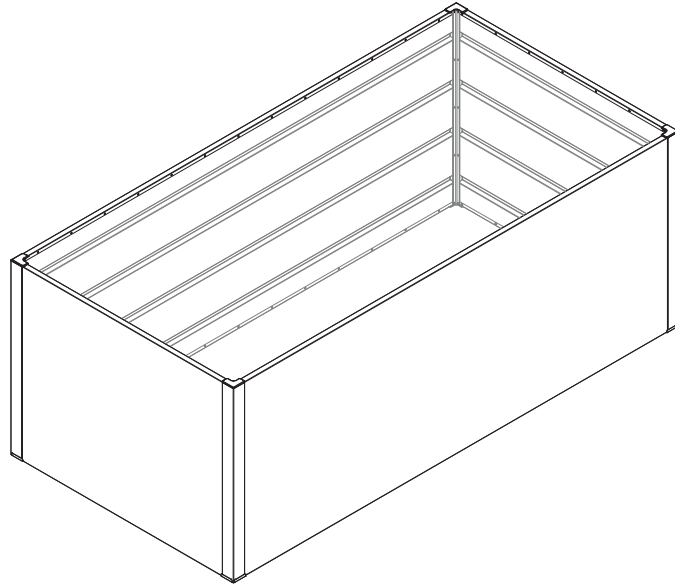


Please carefully read and follow these instructions to assemble your product.

ENSURE PROTECTIVE EYEWEAR & GLOVES ARE WORN WHEN ASSEMBLING THIS UNIT.

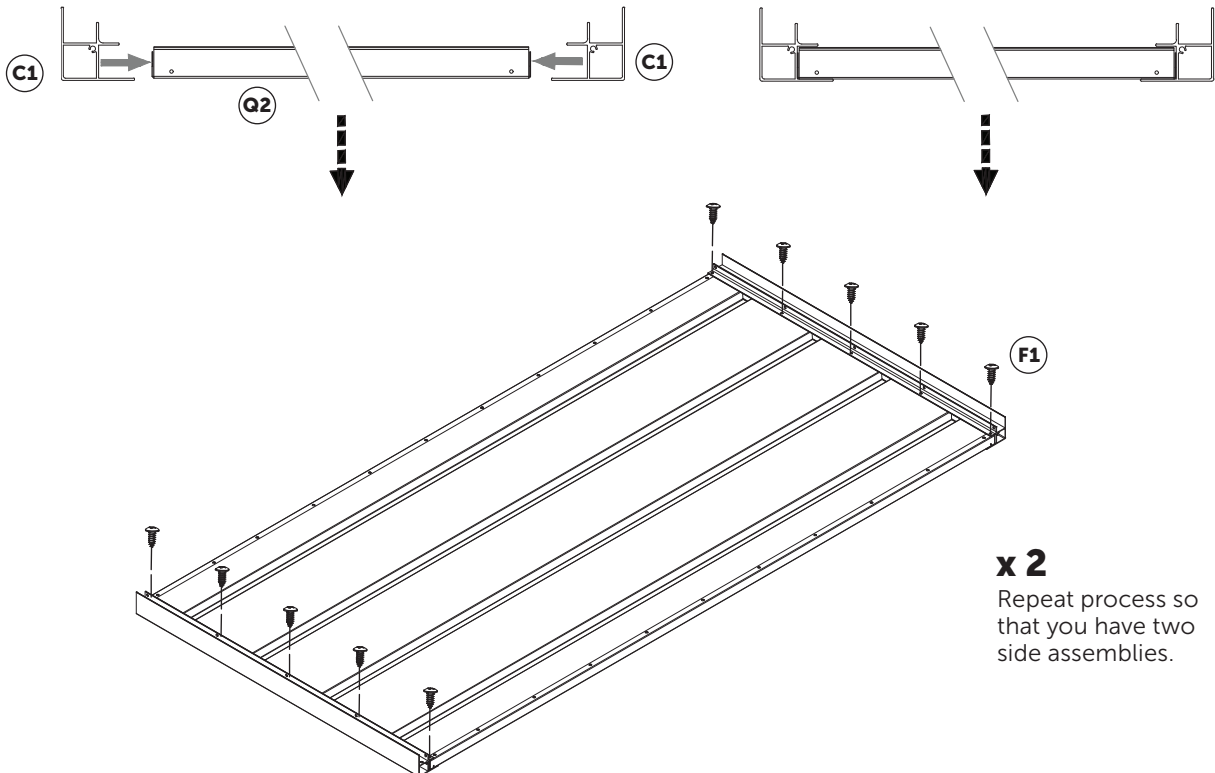
Components

- Q1** x 2  942x755mm
- Q2** x 2  1942x755mm
- C1** x 4  755mm
- S5** x 8 
- F1** x 64 



Step 1

Remove the protective film from each part before starting assembly.



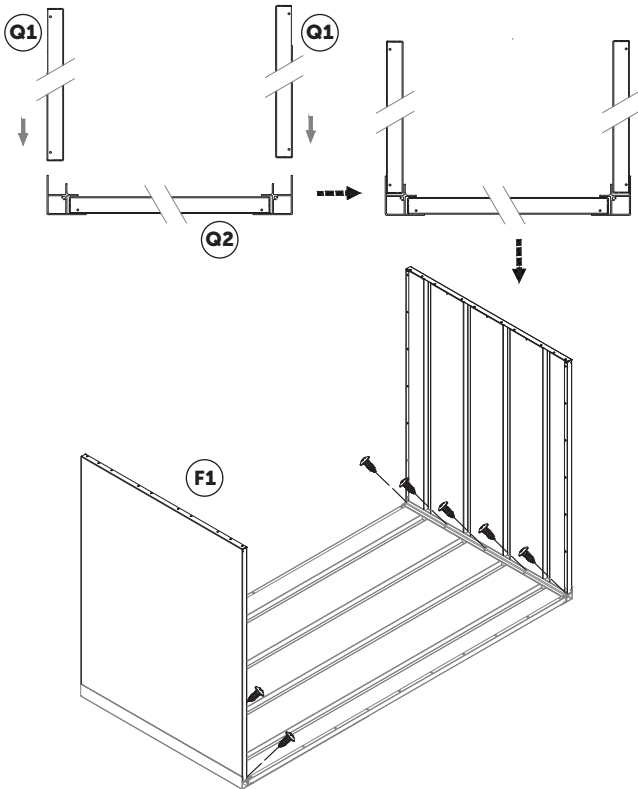
x 2
Repeat process so that you have two side assemblies.

How To.

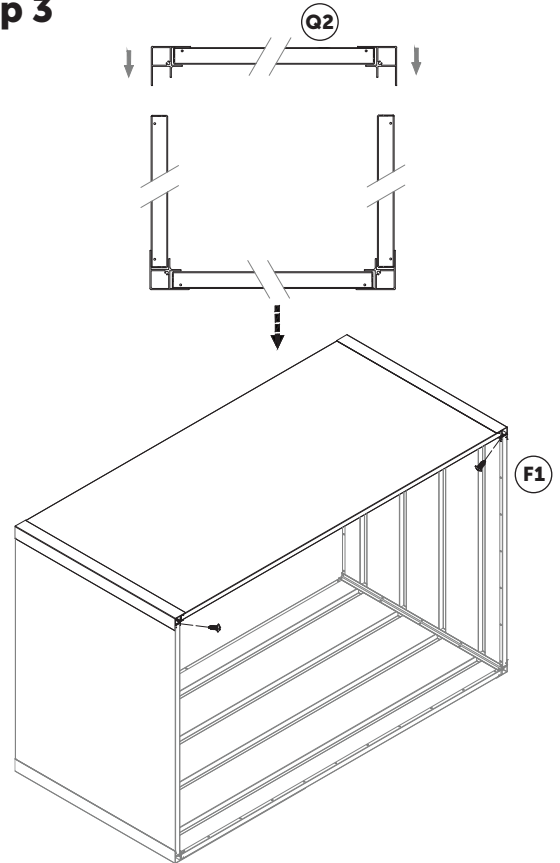
ASSEMBLY GUIDE

Twin Wall Garden Bed

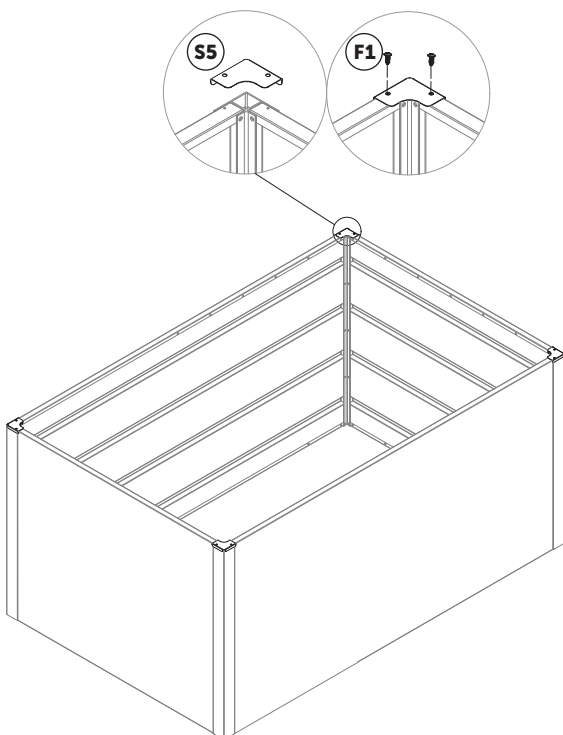
Step 2



Step 3



Step 4



Step 5

