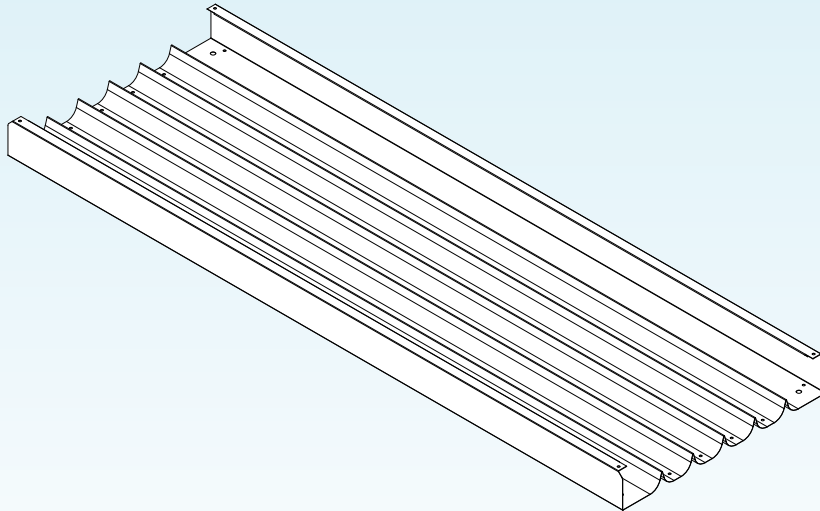
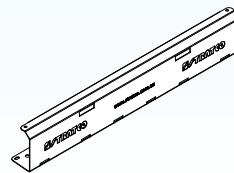


ORETRAY - NQ2

CORE TRAY ASSEMBLY GUIDE



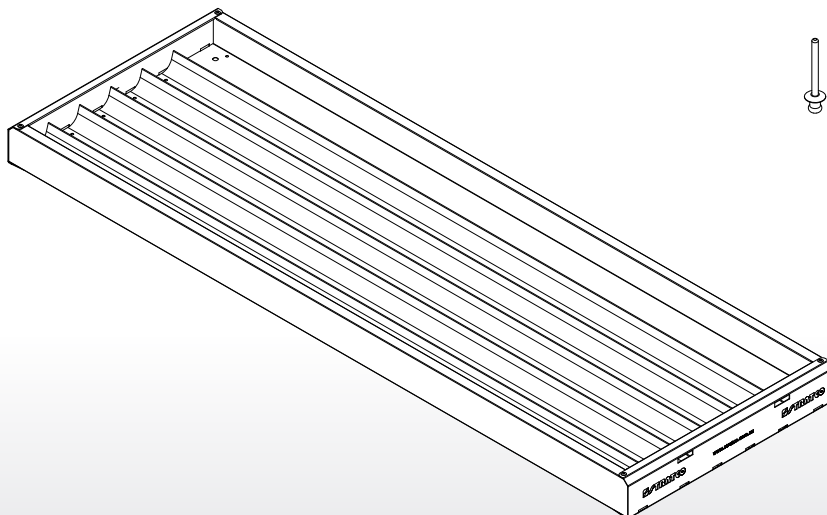
x 1



x 2



x 4 (Optional)



x 16 (1/8" Steel)

All brands and logos/images accompanied by © or ™ are trade marks of Stratco (Australia) Pty Limited. © Copyright April 2013

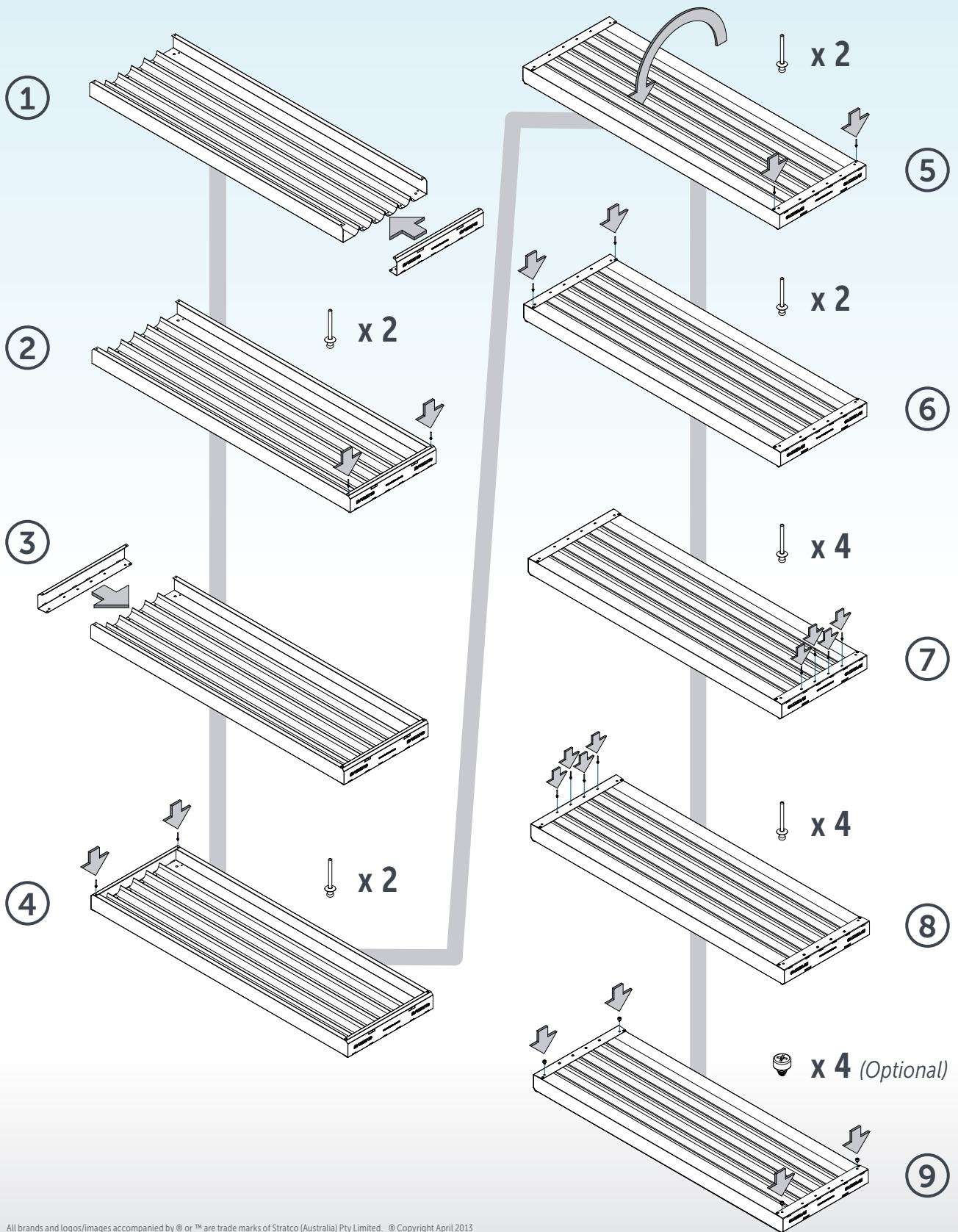
David Muller - 0409 895 945
david.muller@stratco.com.au

How To.



ORETRAY - NQ2

CORE TRAY ASSEMBLY GUIDE



All brands and logos/images accompanied by ® or ™ are trade marks of Stratco (Australia) Pty Limited. © Copyright April 2013

David Muller - 0409 895 945
david.muller@stratco.com.au

How To.

