

Note: This Design Guide is to be read in conjunction with the Stratco Outback Span Tables dated September 2020.

GENERAL NOTES

- The Outback Attached Patio Footing Bracket, in conjunction with 75x75x3.0mm SHS columns, is suitable to be used in lieu of the 68 Outback Columns and 68 Outback Reinforced Columns, when these columns are allocated as suitable for fixing onto a concrete base.
- Maximum allowable spans, as per the Outback Span Table Book, are to be maintained. Standard SHS column to beam connections apply.
- The concrete slab shall have a minimum compressive strength of 20MPa.
- Chemical Anchors are to be installed in accordance with the manufacturers requirements.
- The own/erector is responsible for ensuring the concrete base is capable of sustaining imposed loading from the Outback unit.

INSTALLATION NOTES

Measure and mark the position of the bolt holes on the 75mm SHS column using the information provided in Figure 1.0.

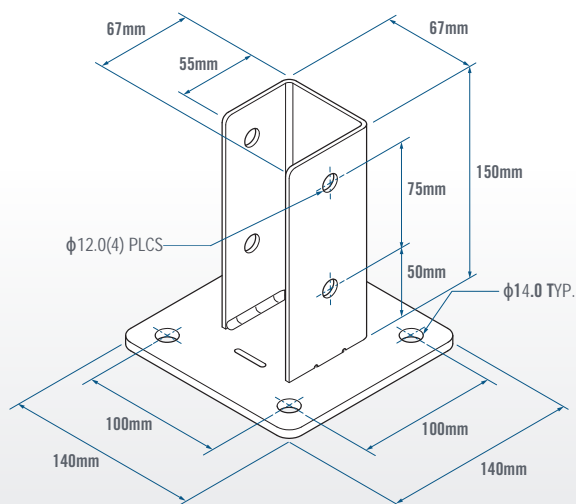


FIGURE 1.0

Drill the holes through the SHS and slide the column over the spigot. Secure the column with 2x M10 bolts with washers under both the nut and head of the bolt. The SHS column should seat neatly on top of the base plate as shown in Figure 1.2.

Once the patio is in position and ready to be secured to the concrete, chemical anchors shall be embedded a minimum of 70mm into the concrete base and are to be installed as per the manufacturer’s installation guidelines.

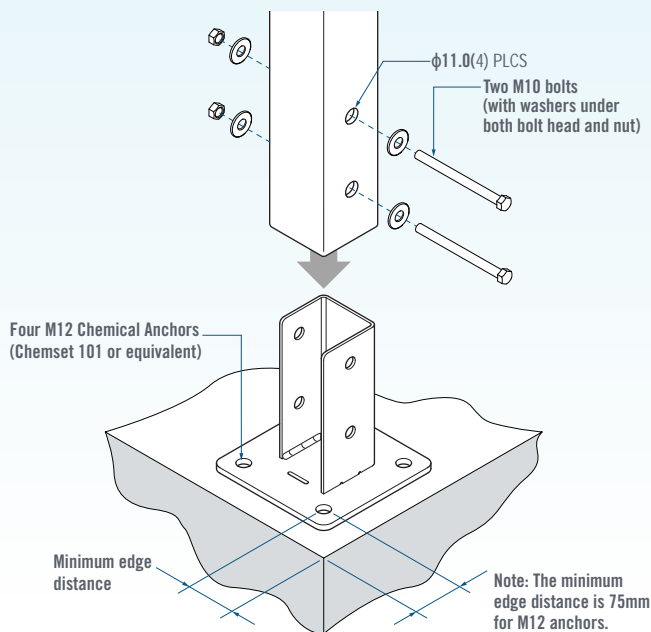


FIGURE 1.1

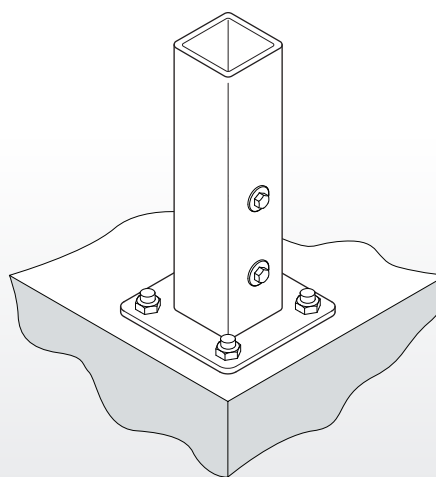


FIGURE 1.2

OUTBACK ATTACHED PATIO FOOTING (75mm SHS)

DESIGN GUIDE