

Note: This Design Guide is to be read in conjunction with the Stratco Outback Span Tables dated September 2020.

**GENERAL NOTES**

- The Outback Attached Patio Internal Upstand, in conjunction with 65x65x3mm, 75x75x2.5mm, 75x75x3.0mm, 90x90x2.0mm and 100x100x3.0mm SHS columns, is suitable to be used in lieu of the 68 Outback Columns, when these columns are allocated as suitable for fixing onto a concrete base.
- Maximum allowable spans, as per the Outback Span Table Book, are to be maintained. Standard SHS column to beam connections apply.
- The concrete slab shall have a minimum compressive strength of 32MPa.
- Chemical Anchors are to be installed in accordance with the manufacturers requirements.
- The owner/dealer is responsible for ensuring the concrete base is capable of sustaining imposed loading from the Outback unit.

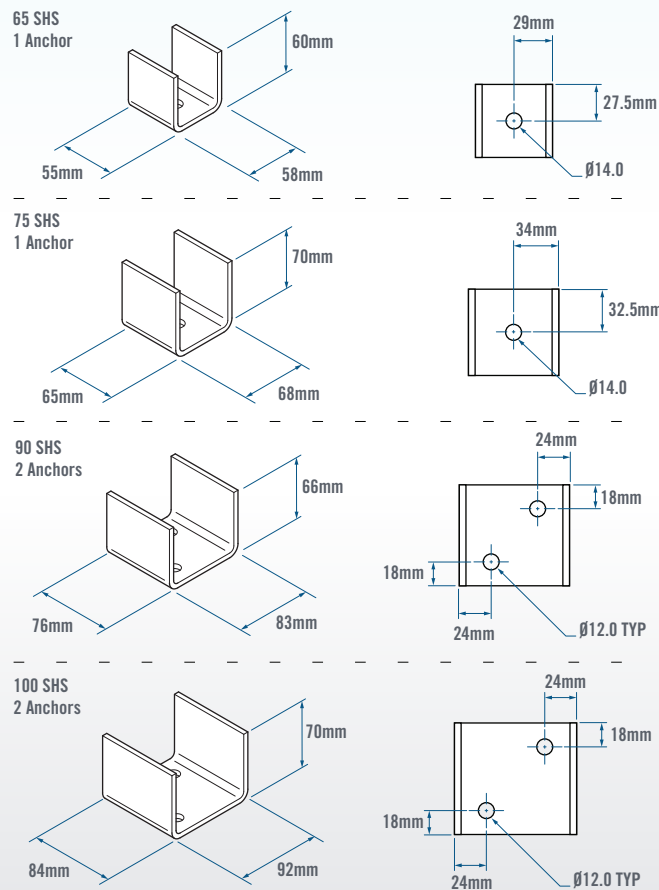


FIGURE 1.0

**INSTALLATION NOTES**

Secure the internal upstands to a clean, dry cement base with M10 or M12 (refer below) chemical anchors as per manufacturer's installation guidelines. Chemical anchors shall be embedded a minimum of 90mm into the concrete base and be spaced as shown in Figure 1.0 and 1.1.

For Increased corrosion protection, paint the cut base surface of the SHS with a metal primer or epoxy enamel paint. Refer paint supplier specifications.

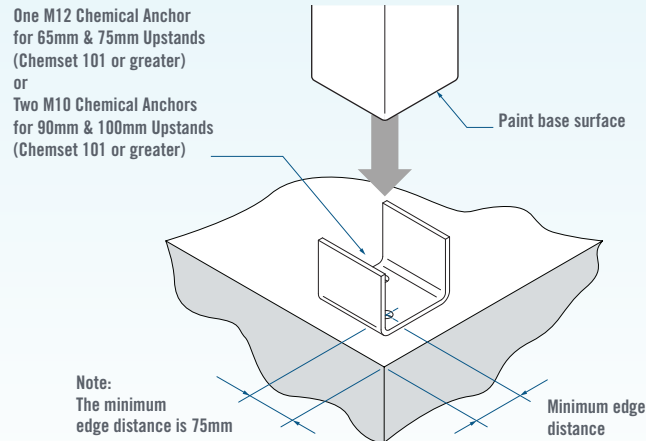


FIGURE 1.1

Install SHS over the Internal Upstand (Figure 1.2). For 65mm & 75mm SHS, pre-drill 2x 3.5mm holes on opposite sides of the SHS through both the SHS and the upstand legs. For 90mm & 100mm SHS, pre-drill 4x 3.5mm holes on opposite sides of the SHS through both the SHS and the upstand legs. Secure the SHS to the upstand with 12x20mm Self Drilling screws (Four screws for 65mm & 75mm SHS. Eight screws for 90mm & 100mm SHS) and seal the base with elastic sealant.

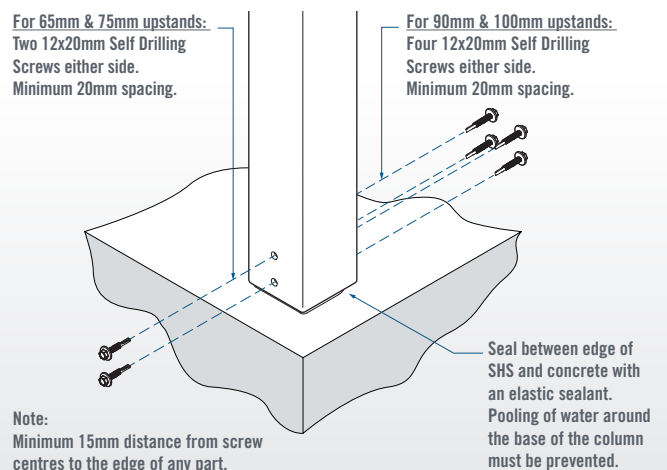


FIGURE 1.2

**OUTBACK ATTACHED PATIO  
SHS INTERNAL UPSTAND**

**DESIGN GUIDE**