

How To.

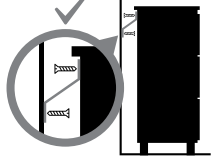
ASSEMBLY GUIDE

Heavy Duty 28 Bin Storage Rack

Please carefully read and follow these instructions to assemble your product.

ENSURE PROTECTIVE EYEWEAR & GLOVES ARE WORN WHEN ASSEMBLING THIS UNIT.

⚠ WARNING



Children have died from furniture tipover.

- ALWAYS secure this furniture with an anchor device.
- NEVER allow children to stand, climb or hang on drawers, doors, or shelves.
- NEVER open more than one drawer at a time.
- Place heavy items down low.

NEVER put a TV on this furniture

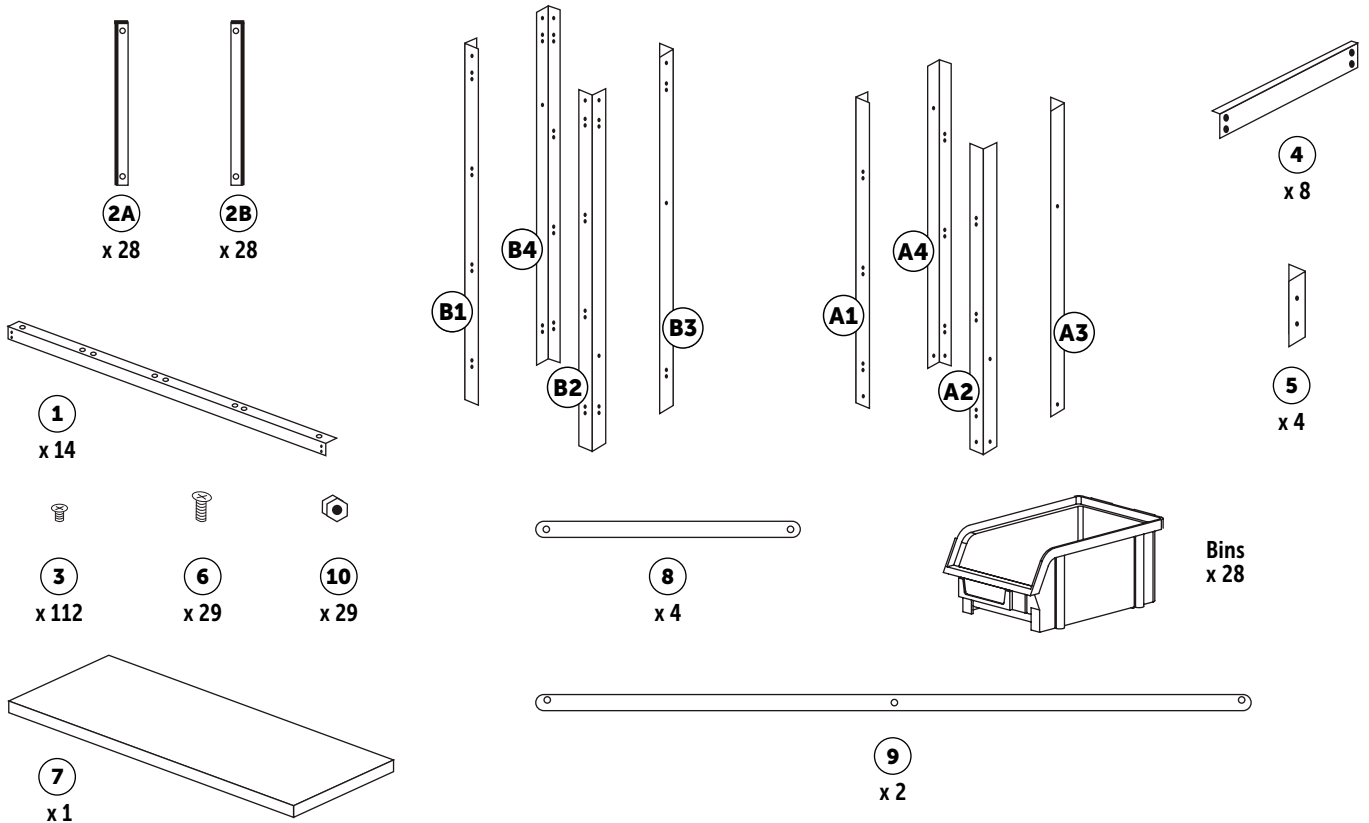


Components

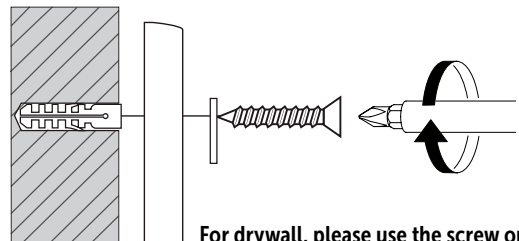
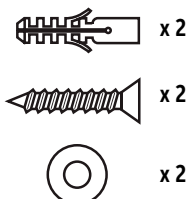
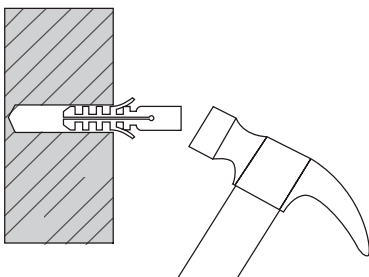


SAVE THESE INSTRUCTIONS

Read the WARNING section at the beginning of this document before assembly or use of this product.



Special Wall Anchor Pack



How To.

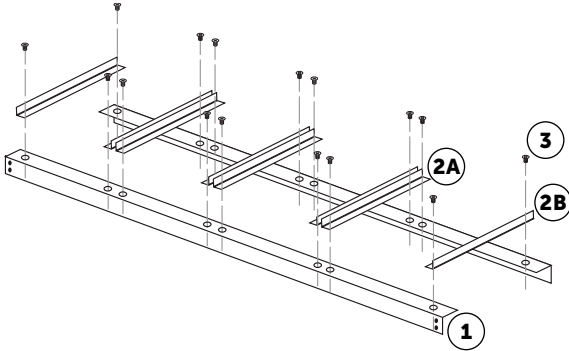
ASSEMBLY GUIDE

Heavy Duty 28 Bin Storage Rack

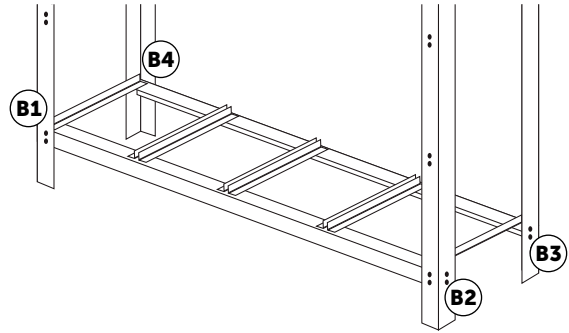


SS-10145

Step 1 Mount 8 Bin Holders (2A, 2B) on two Shelf Bars (1) using the Small Screws (3) according to above drawing. Make sure rivets on each shelf bar are facing outwards and each bin holder is in the right place as shown in Step 7.

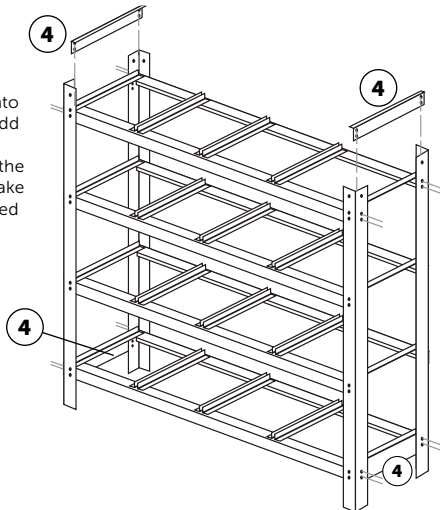


Step 2 Attach the Bottom Posts B1 to B4 as shown and install shelf by clipping the rivets on each edge into the holes on the post. Make sure rivets are clipped at the same level on the posts.



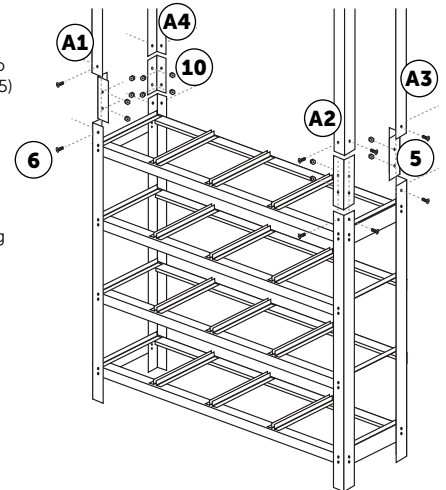
Step 3

Repeat Step 2 and install another three shelves onto the bottom post. Then add 4 Short Beams (4) on the short side of the rack as the drawing shows. Note: Make sure all rivets are tightened before you move to the next step.



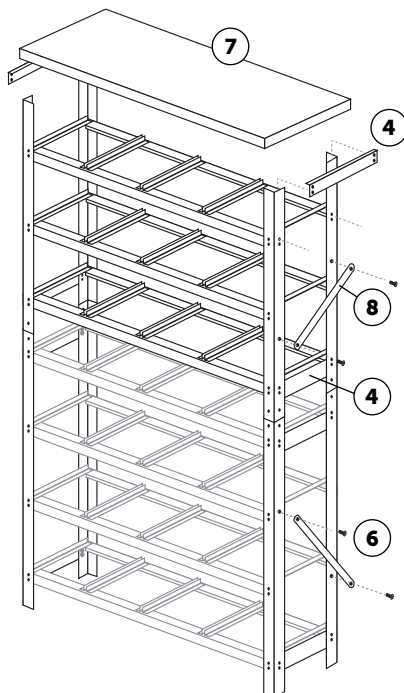
Step 4

Use the Long Screws (6) to mount 4 Junction Plates (5) on each top corner of the bottom rack with Lock Nuts (10). Then use Long Screws to mount 4 Top Posts accordingly. Note: Make sure Top Posts A1 to A4 are mounted according to right drawing shows.



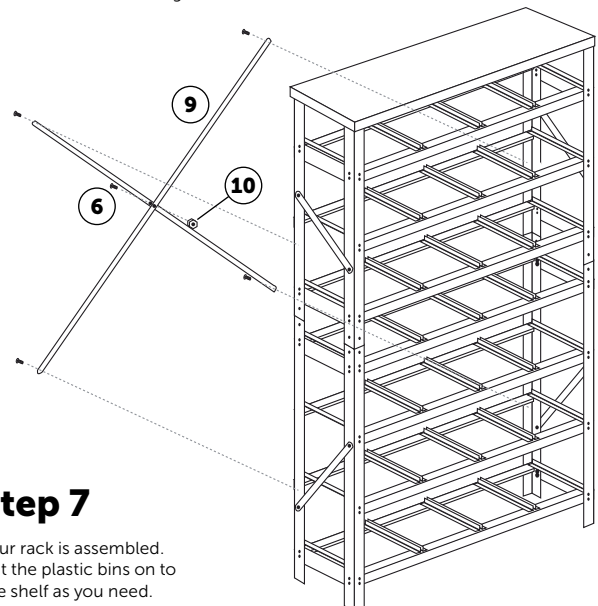
Step 5

Install another 3 shelves onto the top rack according to Step 2. Then place the Top Tray (7) onto the top. Use the Long Screws (6) to install the Short Support Bars (8) on both side of the rack. Install the last 2 Short Beams (4) on the top post sides position. Note: There are three short support bars on each side of the rack, make sure they are installed properly and tightened before usage.



Step 6

Install the Long Support Bars (9) on the back side of the rack with Long Screws (6) as below drawing shows. Use a Long Screw (6) and Lock Nut (10) to lock two Long Support Bars (9) together in the middle.



Step 7

Your rack is assembled. Put the plastic bins on to the shelf as you need.