

Please carefully read and follow these instructions to assemble your unit.

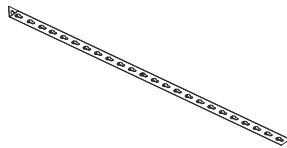
ENSURE PROTECTIVE EYEWEAR AND GLOVES ARE WORN WHEN ASSEMBLING THIS UNIT.

WARNING: SERIOUS INJURY CAN BE CAUSED BY TOPPLING FURNITURE. To help prevent tip-over, we recommend you anchor this product to a wall or other suitable surface. Check anchors regularly.

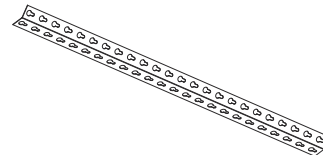
Components

TOOLS REQUIRED: Rubber Mallet, Flat Head Screwdriver, Gloves

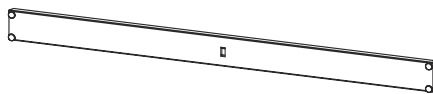
① x 6 VERTICAL BAR - LEG



② x 4 VERTICAL BAR - CORNER



③ x 10 LONG BEAM



④ x 10 SHORT BEAM



⑤ x 5 BEAM



⑥ x 10 CROSS BAR



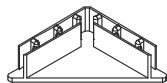
Ⓐ x 3 CONNECTOR



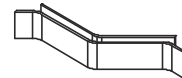
Ⓑ x 2 CONNECTOR



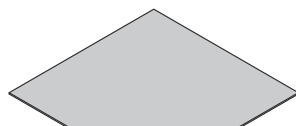
Ⓒ x 6 RUBBER FOOT PAD (FOR VERTICAL BAR - LEG)



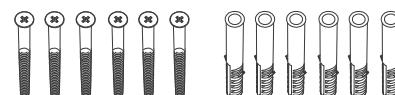
Ⓓ x 4 RUBBER FOOT PAD (FOR VERTICAL BAR - CORNER)



Ⓔ x 5 MDF SHELF BOARD



Ⓕ ANTI-TIP KIT



How To.

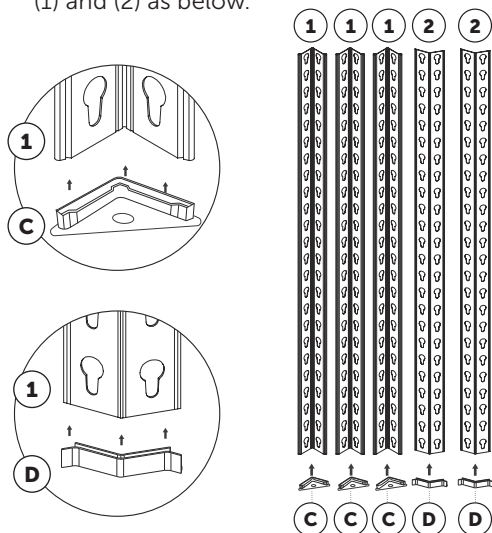
ASSEMBLY GUIDE

Boltless Corner 5 Shelf Unit

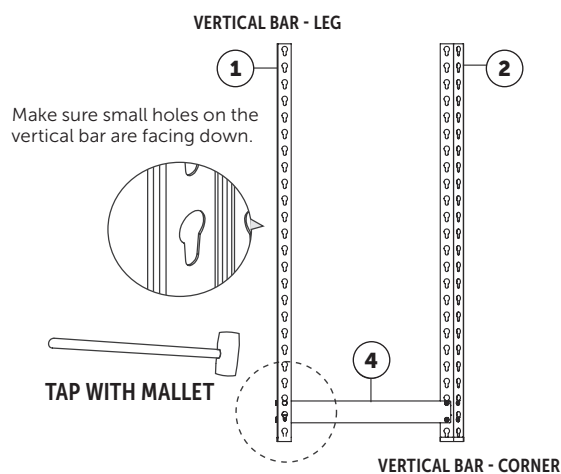


SS-10484

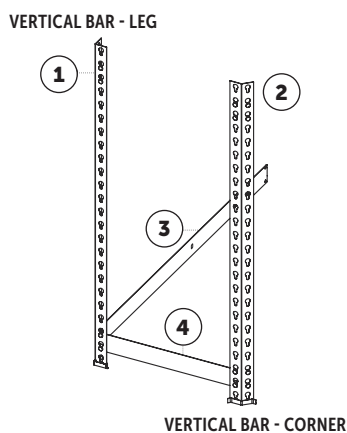
Step 1 Insert rubber foot pad (C) into vertical bars (1) and (2) as below.



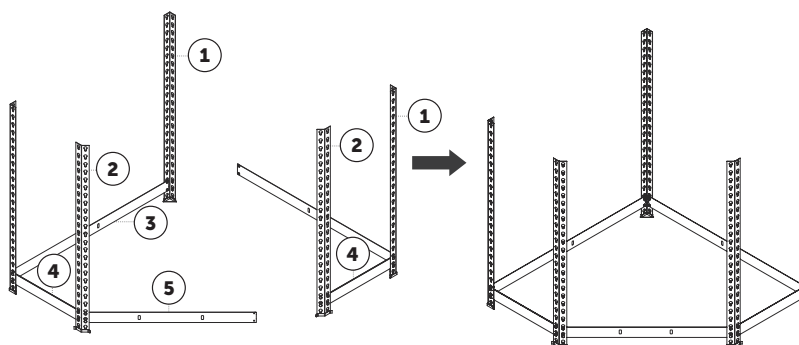
Step 2 Install short beam (4) on vertical bars (1) and (2), tighten them with rubber mallet.



Step 3 Repeat last step to assemble an identical part.

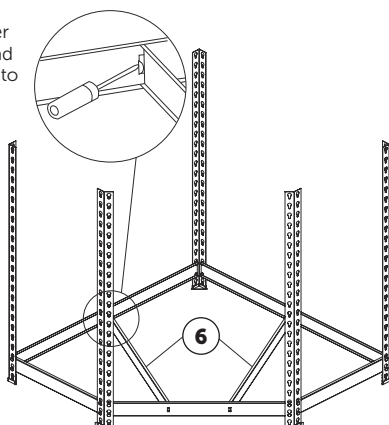


Step 4 Join the assembled parts with another two vertical bars through the beam.

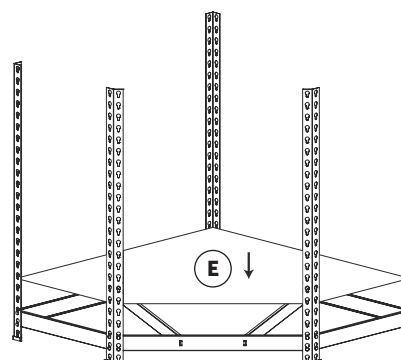


Step 5 Install 2 cross bars (6).

Fold tab over with flat head screwdriver to secure.



Step 6 Put the board (E) on the frame.

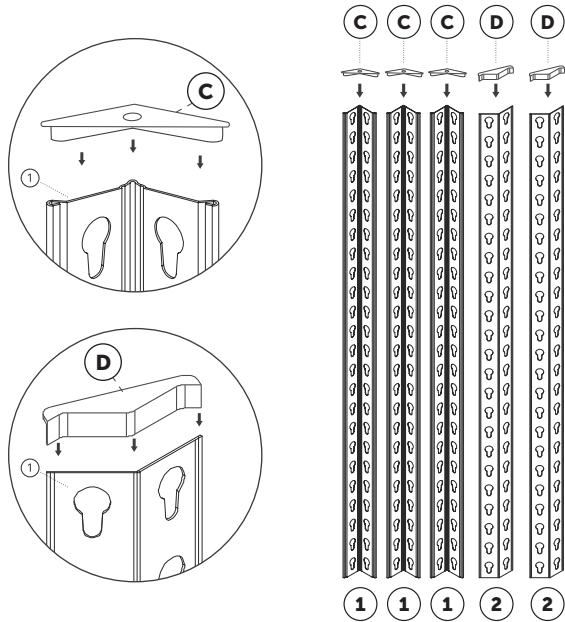


How To.

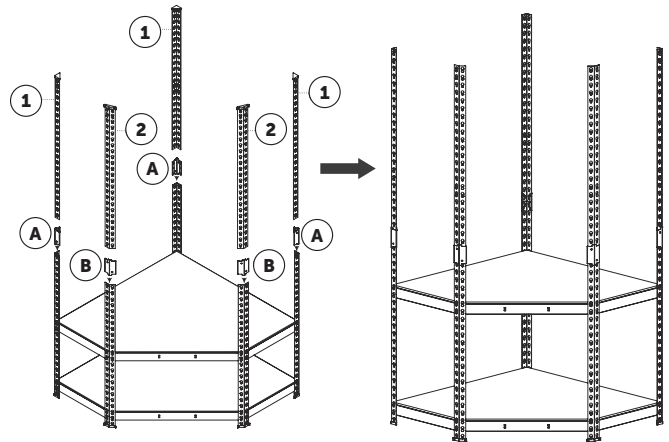
ASSEMBLY GUIDE

Boltless Corner 5 Shelf Unit

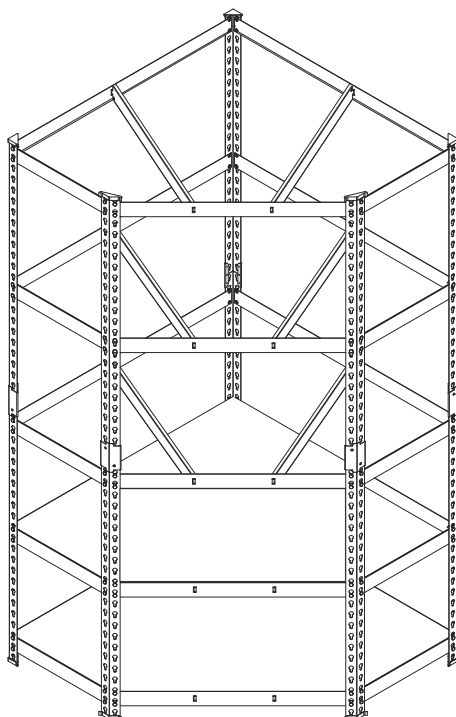
Step 7 Insert rubber foot pad (B) into the remaining four vertical bars (1) as below.



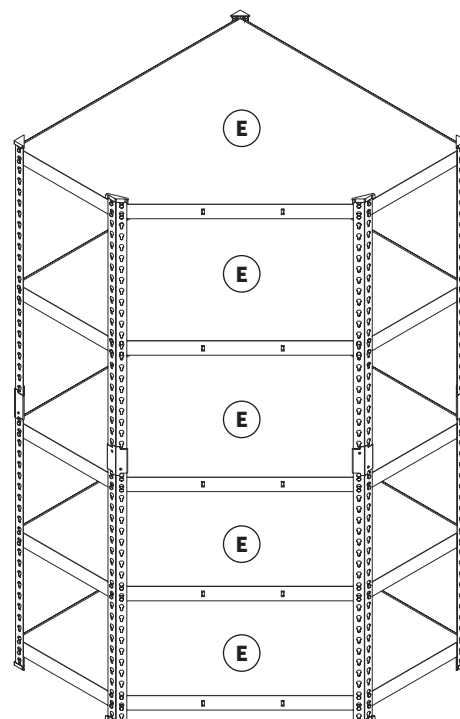
Step 8 Connect the remaining four vertical bars (1) to the finished frame with four connectors (A).



Step 9 Assemble the remaining cross bars as previously shown in Step 5.



Step 10 Place all MDF shelf boards (E) onto the frame, as shown below.



How To.

ASSEMBLY GUIDE

Boltless Corner 5 Shelf Unit



SS-10484

WARNING: SERIOUS INJURY CAN BE CAUSED BY TOPPLING FURNITURE. To help prevent tip-over, we recommend you anchor this product to a wall or other suitable surface. Check anchors regularly.

Step 11 (Optional) Install the anti-tip kit (part F) to keep the shelf unit stable.

