

Stratco

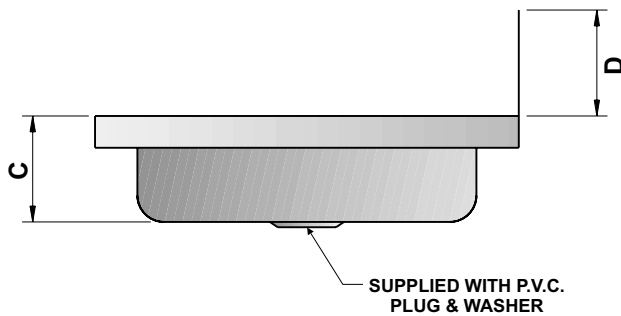
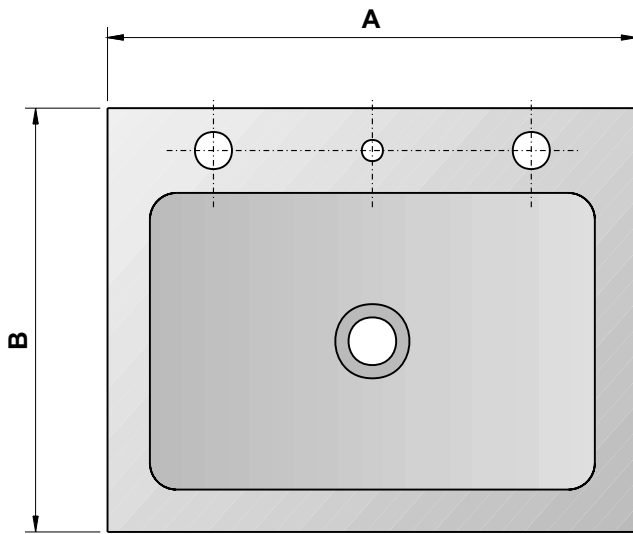
Stainless Steel

Heavy Duty Hand Basin	22
Inset Bowl	23
Multiple Basin Vanity Bench Top	24
Restaurant Sink	25
Wine Spittoon	25
Drip Sink	27
Inset Sluice Sink	28
Pan Room Sluice / Sink & Drainer - Single Bowl	29
Pan Room Sluice / Sink & Drainer - Double Bowl	30
Art Sink 1200 Fascia	31
Art Sink 1200 Inset	32

HEAVY DUTY HAND BASIN

Features

Durable heavy duty purpose hand basin supported by stainless steel brackets

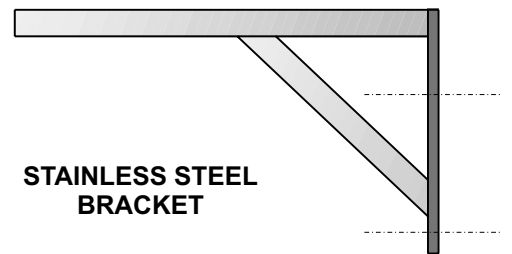


FEATURES

- Custom manufactured
- Satin finish
- Stainless steel brackets
- Tap holes to customer specification

STANDARD SPECIFICATION

- PVC plug and washer
- Radius internal corners
- Hob mount tap landing
- Manufactured from 1.2 mm 304 #4 stainless steel sheet complying with AS 1449



DRAWING CODE	A	B	C	D
DIMENSIONS	500 mm	400 mm	100 mm	100 mm

MODEL NO: HABAHDS
09/2004

INSET BOWL



Features

The inset bowl is applicable in areas where a single bowl is required. Made from 316 #4 or 304 #4 stainless steel it can be used for a variety of environments including schools, laboratories, kitchens & clinics.

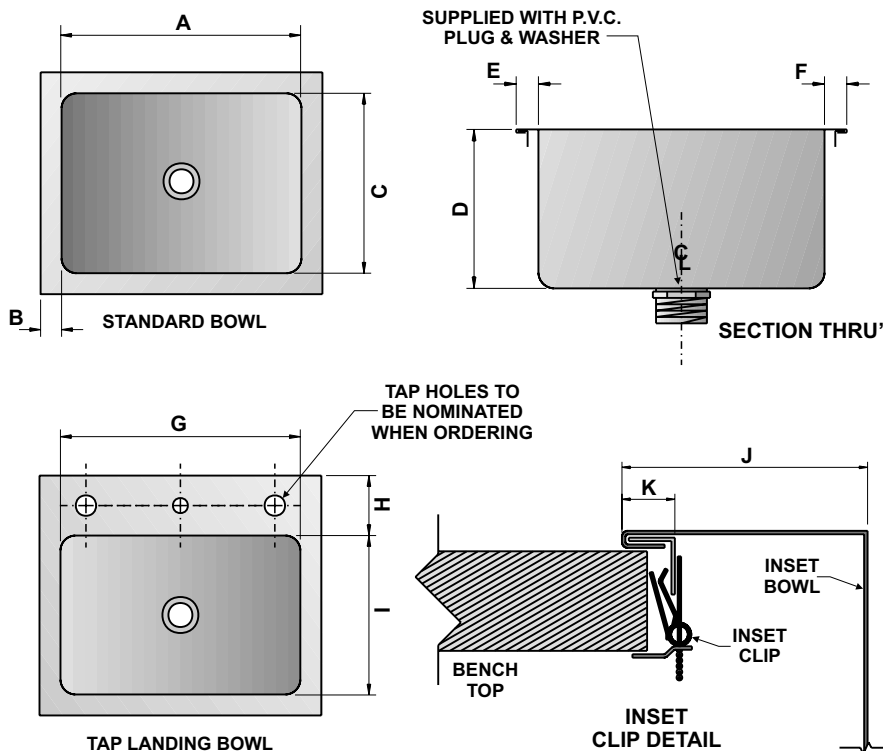


FEATURES

- Custom manufactured
- Satin finish
- Inset clip
- Manufactured from 316 #4 or 304 #4 stainless steel

STANDARD SPECIFICATION

- Radius internal corners
- Poly propylene or PVC plug and washer
- Manufactured from 1.2 mm 316 #4 or 304 #4 stainless steel sheet complying with AS 1449



DRAWING CODE	A	B	C	D	E	F	G	H	I	J	K
DIMENSIONS	C.S.	35 mm	C.S.	C.S.	35 mm	35 mm	C.S.	100 mm	C.S.	35 mm	15 mm

• C.S. - Custom Sizes

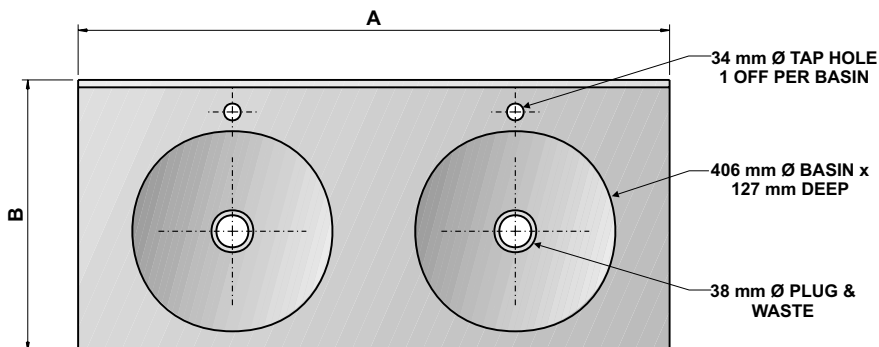
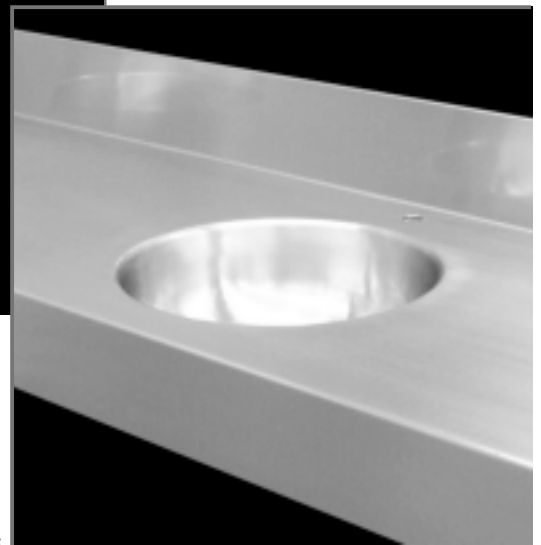
MODEL NO: INBLIBSS
09/2004

MULTIPLE BASIN VANITY BENCH TOP



Features

Custom made multiple basin vanity bench top suitable for industrial purposes, hospitals, public toilets, hotels & caravan parks. Hygienic, easy cleaning & fabricated to withstand harsh environments.

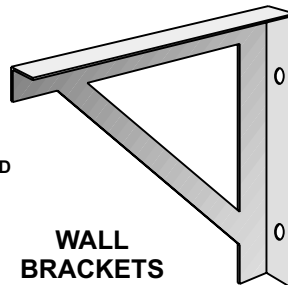
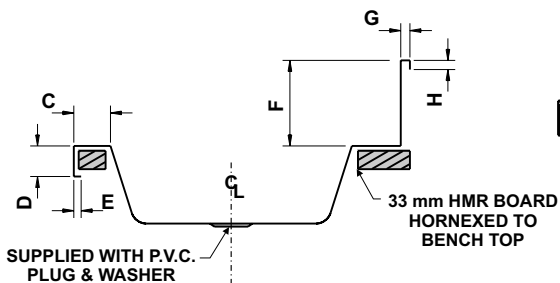


FEATURES

- Custom manufactured
- Satin finish
- Nosing on front
- Wall brackets available
- 140 mm high splash back
- Available up to six bowls

STANDARD SPECIFICATION

- PVC plug and washer
- Fully backed with HMR board
- All welded construction
- Standard lengths include: 1200 mm - double bowl, 1800 mm - triple bowl & 2400 mm - four bowl.
- Manufactured from 1.2 mm 304 #4 stainless steel sheet complying with AS 1449

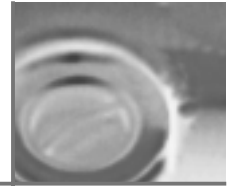
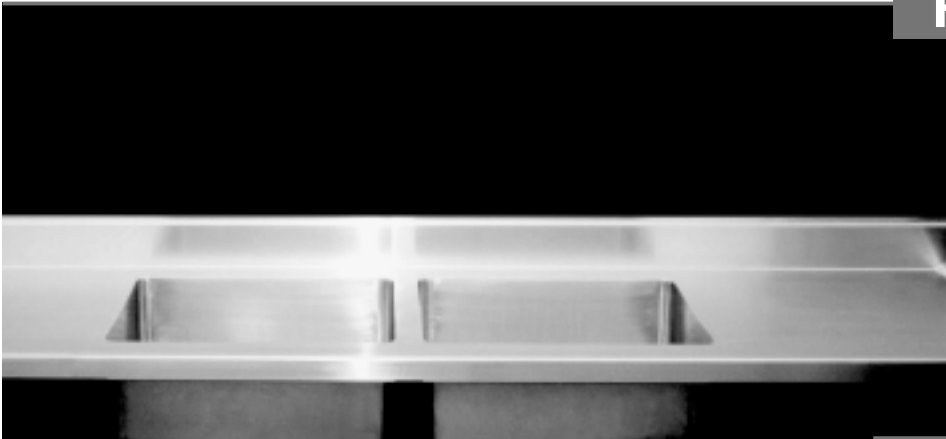


WALL BRACKETS

DRAWING CODE	A	B	C	D	E	F	G	H
DIMENSIONS	All Standard Lengths	550 mm	60 mm	50 mm	12 mm	140 mm	15 mm	15 mm

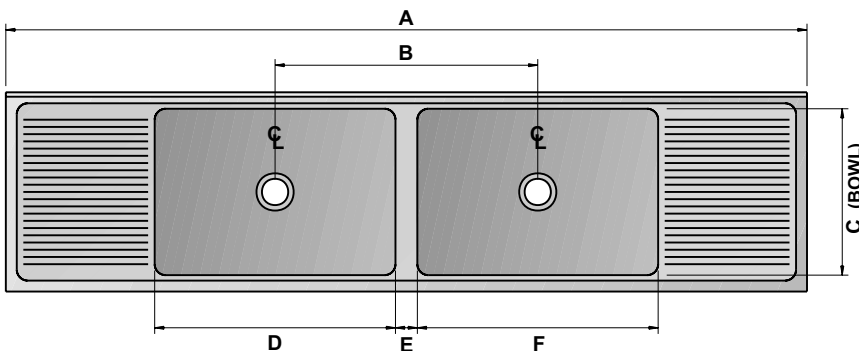
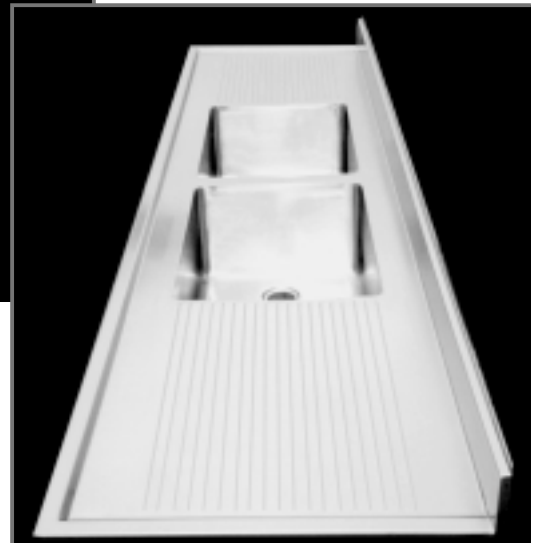
MODEL NO: MBVASS
09/2004

RESTAURANT SINK



Features

Custom made deep bowl sinks for restaurants, cafes & hotels

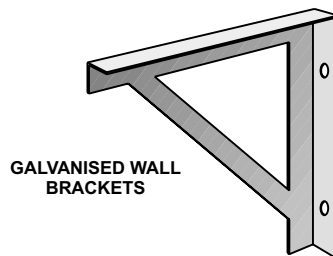
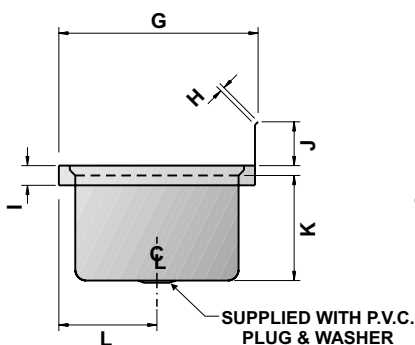


FEATURES

- Custom manufactured
- Satin finish
- Fascia front nosing
- Wall brackets available
- 100 mm high splash back

STANDARD SPECIFICATION

- PVC plug and washer
- Radius internal corners on bowls
- Manufactured from 1.2 mm 304 #4 stainless steel sheet complying with AS 1449



DRAWING CODE	A	B	C	D	E	F	G	H	I	J	K	L
DIMENSIONS (mm)	1370 to 1830	600	380	550	50	550	455	10	45	100	240	230

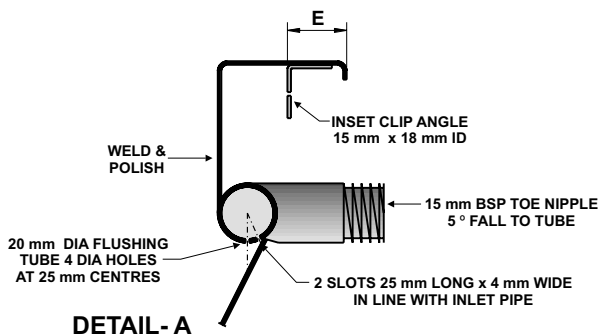
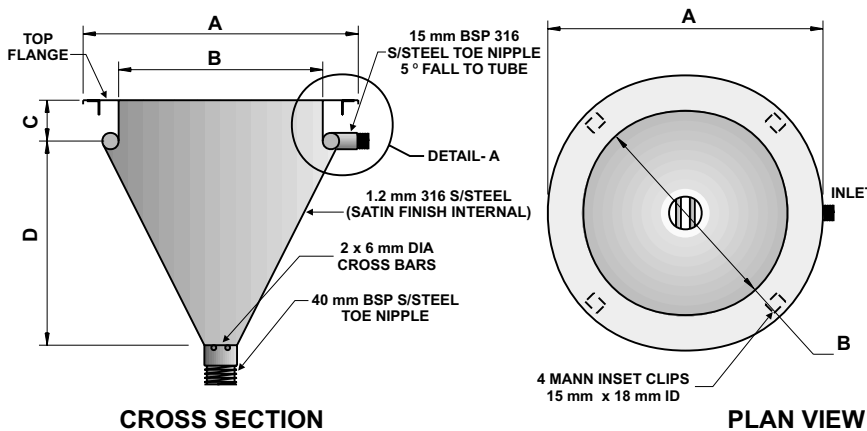
MODEL NO: RESKSS
09/2004

WINE SPITTOON



Features

Featuring a new design for backflow prevention, this product is specifically designed for the wine industry, wine tasting & Laboratories



FEATURES

- Custom manufactured
- Satin finish
- Flanged top

STANDARD SPECIFICATION

- Fabricated from 316 #4 stainless steel
- 40 mm BSP 316 toe nipple - outlet
- 15 mm BSP 316 toe nipple - inlet
- Manufactured from 1.2 mm 316 #4 stainless steel sheet complying with AS 1449

DRAWING CODE	A	B	C	D	E
DIMENSIONS	Ø 337 mm	Ø 250 mm	50 mm	250 mm	20 mm

MODEL NO: WISP250SS
09/2004

DRIP SINK

Features

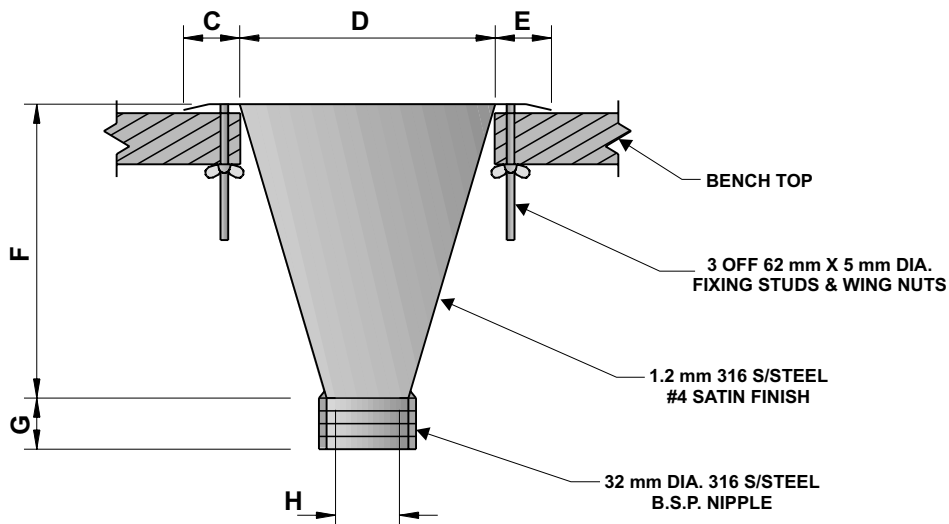
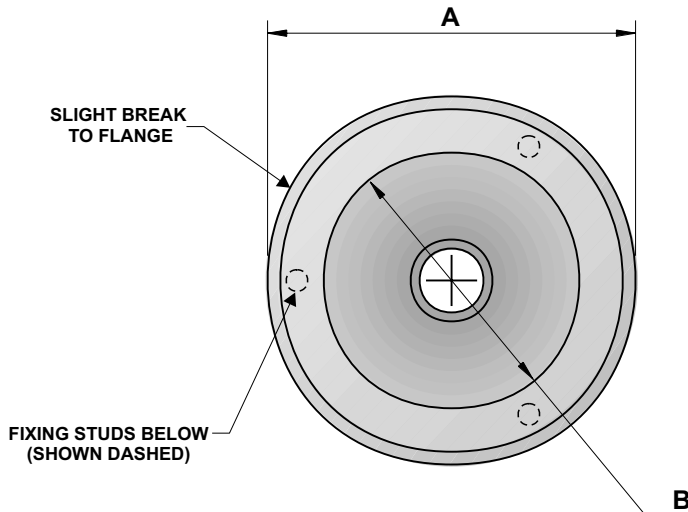
Specifically designed for laboratories & schools

FEATURES

- Custom manufactured
- Satin finish
- Flanged top

STANDARD SPECIFICATION

- Fabricated from 316 #4 stainless steel
- 32 mm dia. 316 stainless steel B.S.P. nipple
- Manufactured from 1.2 mm 316 #4 stainless steel sheet complying with AS 1449



DRAWING CODE	A	B	C	D	E	F	G	H
DIMENSIONS	Ø 144 mm	Ø 100 mm	22 mm	100 mm	22 mm	115 mm	20 mm	25 mm

MODEL NO: DRSI100SS
09/2004

INSET SLUICE SINK

Features

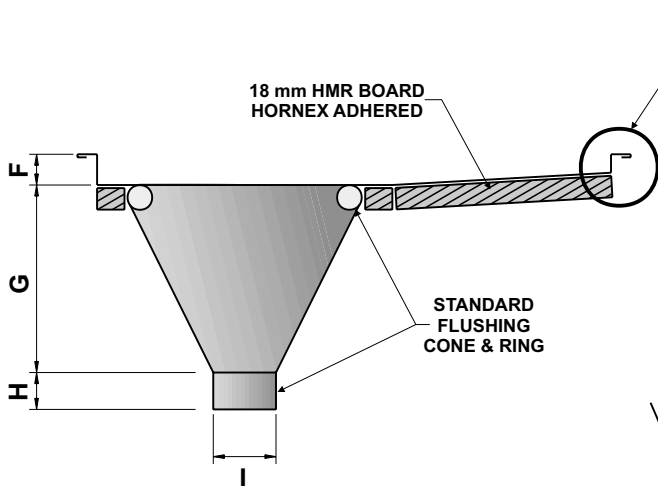
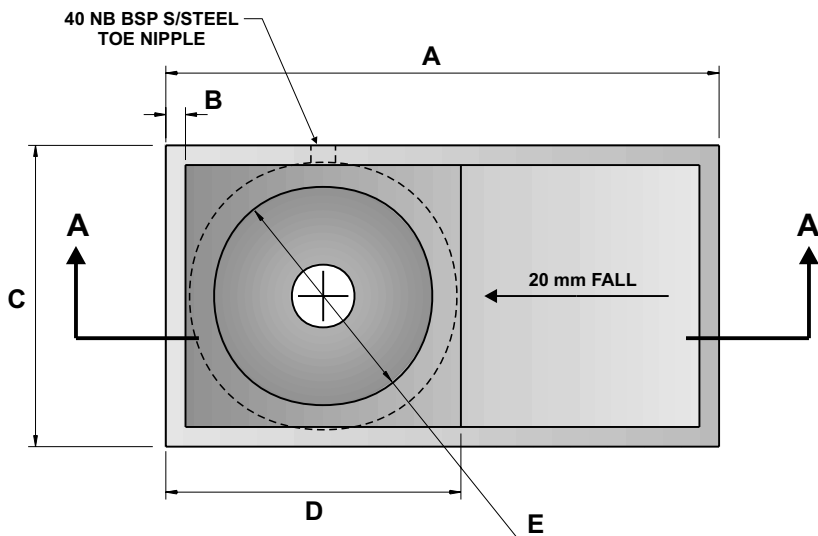
A sanitary sink used in hospitals, aged care facilities & child care centres. Inset sluice sink can be easily adapted into existing bench work.

FEATURES

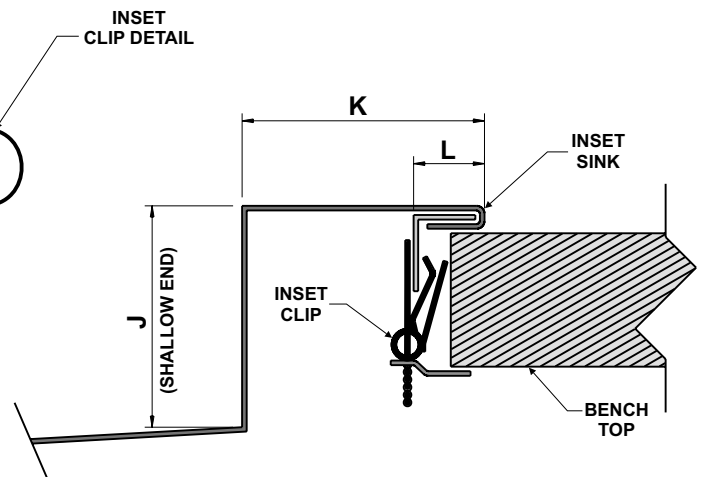
- Custom manufactured
- Satin finish
- Flush cone & ring
- Inset clip

STANDARD SPECIFICATION

- 40 mm BSP stainless steel toe nipple inlet
- HMR board backing
- Manufactured from 1.2 mm 304 #4 stainless steel sheet complying with AS 1449



SECTION A - A



INSET CLIP DETAIL

DRAWING CODE	A	B	C	D	E	F	G	H	I	J	K	L
DIMENSIONS (mm)	900	32 typ.	490	480	Ø 355	50	305	60	102	30	32	15

MODEL NO: ISSK900SS
09/2004

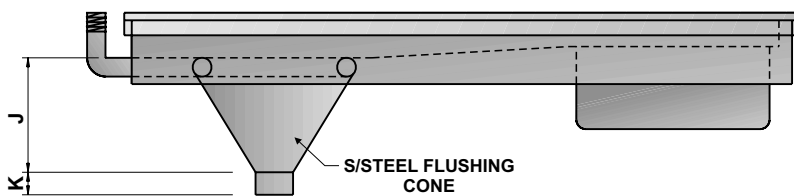
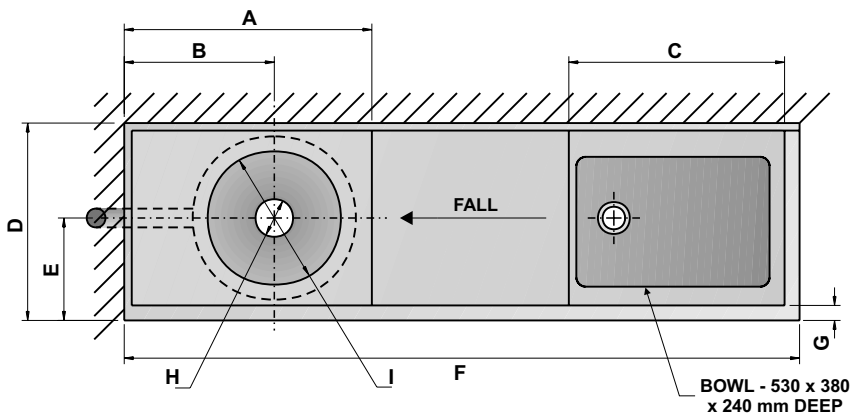
PAN ROOM SLUICE/SINK & DRAINER

- SINGLE BOWL



Features

A sanitary sink which incorporates a single bowl & flushing cone. Pan room sluice/sink & drainers are custom designed for hospitals, aged care & disabled care facilities.



FEATURES

- Custom manufactured
- Satin finish
- Flush cone & ring
- Deep splash front
- 304 #4 or 316 #4 stainless steel
- Left or right hand flush bowl
- Cistern positioned to customer specification

STANDARD SPECIFICATION

- Chrome plated brass plug & washer
- Radius internal corners on bowls
- HMR board backing
- 1500 mm standard lengths, other lengths available upon request
- Manufactured from 1.2 mm 304 #4 or 316 #4 stainless steel sheet complying with AS 1449

DRAWING CODE	A	B	C	D	E	F	G	H	I	J	K
DIMENSIONS (mm)	660	400	575	526	276	C.L.	40	Ø 100	Ø 355 typ.	305	60

• C.L. - Custom Lengths

**MODEL NO: PRSSIBWSS
09/2004**

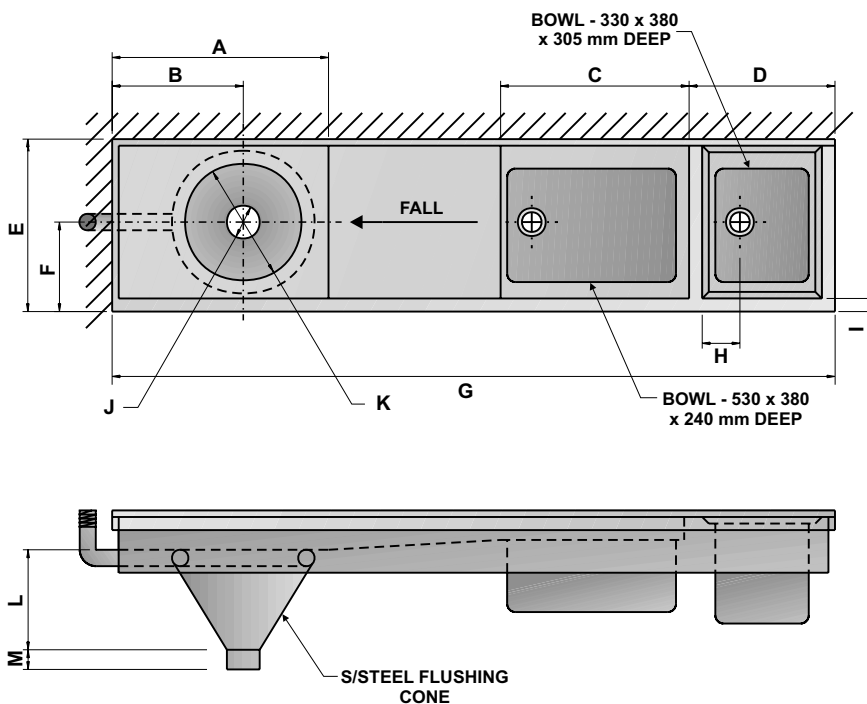
PAN ROOM SLUICE/SINK & DRAINER

- DOUBLE BOWL



Features

A sanitary sink which incorporates a double bowl & flushing cone. Pan room sluice/sink & drainers are custom designed for hospitals, aged care & disabled care facilities.



FEATURES

- Custom manufactured
- Satin finish
- Flush cone & ring
- Deep splash front
- 304 #4 or 316 #4 stainless steel
- Left or right hand flush bowl
- Cistern positioned to customer specification

STANDARD SPECIFICATION

- Chrome plated brass plug & washer
- Radius internal corners on bowls
- HMR board backing
- 2100 mm standard lengths, other lengths available upon request
- Manufactured from 1.2 mm 304 #4 or 316 #4 stainless steel sheet complying with AS 1449

DRAWING CODE	A	B	C	D	E	F	G	H	I	J	K	L	M
DIMENSIONS (mm)	660	400	575	445	526	276	C.L.	95	40	Ø 100	Ø 355 typ.	305	60

• C.L. - Custom Lengths

**MODEL NO: PRSS2BWSS
09/2004**

Features

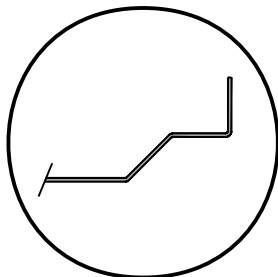
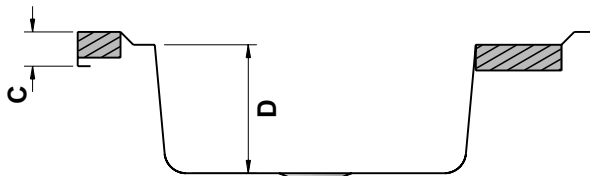
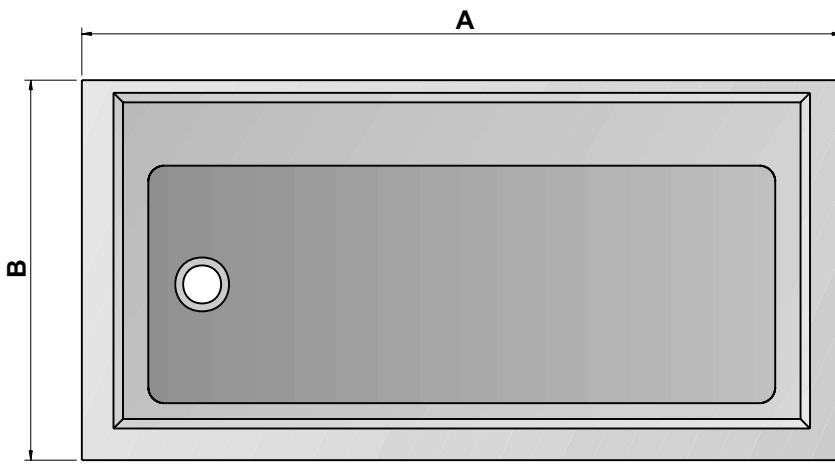
Utilised in schools, child care centres & kindergartens, featuring radius internal corners for easy cleaning. Detailed ends to suit any design - walls, cupboards, or freestanding.

FEATURES

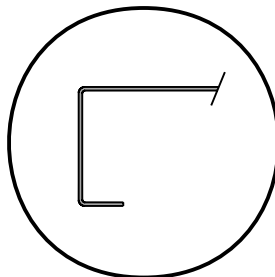
- Custom manufactured
- Satin finish
- Left or right hand outlet
- Hob mount tap landing

STANDARD SPECIFICATION

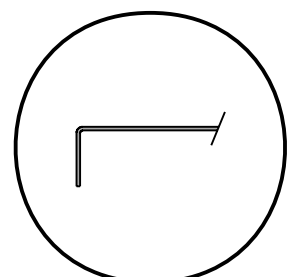
- PVC plug and washer
 - Radius internal corners
 - 20 mm tile rebate
 - Tap holes to customer specification
- Manufactured from 1.2 mm 304 #4 stainless steel sheet complying with AS 1449



**TYPE "B" END
ABUTTS WALLS**



**TYPE "C" FOR
OPEN ENDS**



**TYPE "D" END
ABUTTS C/BOARDS**

DRAWING CODE	A	B	C	D
DIMENSIONS	1200 mm	600 mm	40 mm	150 mm

**MODEL NO: ARSKFASS
09/2004**

ART SINK 1200 INSET

Features

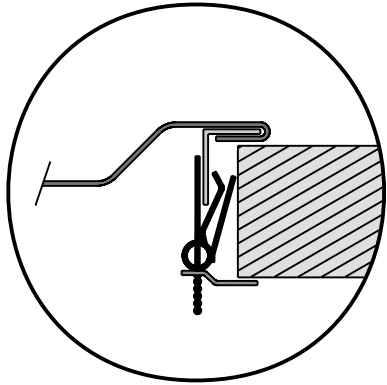
Utilised in schools, child care centres & kindergartens, featuring radius internal corners for easy cleaning

FEATURES

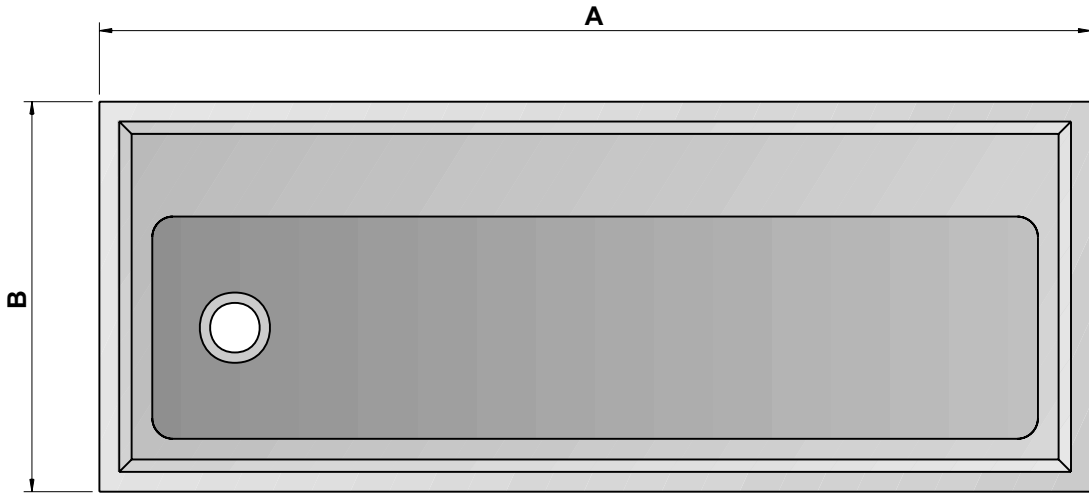
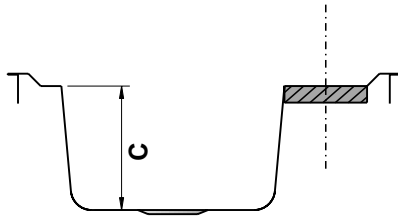
- Custom manufactured
- Satin finish
- Left of right hand outlet
- Hob mount tap landing

STANDARD SPECIFICATION

- PVC plug and washer
- Radius internal corners
- Tap holes to customer specification
- Manufactured from 1.2 mm 304 #4 stainless steel sheet complying with AS 1449



INSET DETAIL



DRAWING CODE	A	B	C
DIMENSIONS	1200 mm	472 mm	150 mm

MODEL NO: ARSKINSS
09/2004