

Stratco

Stainless Steel

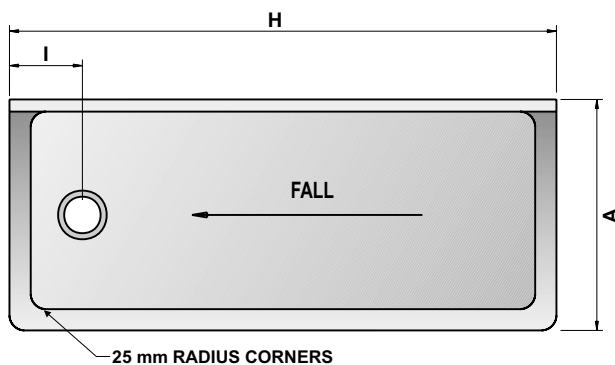
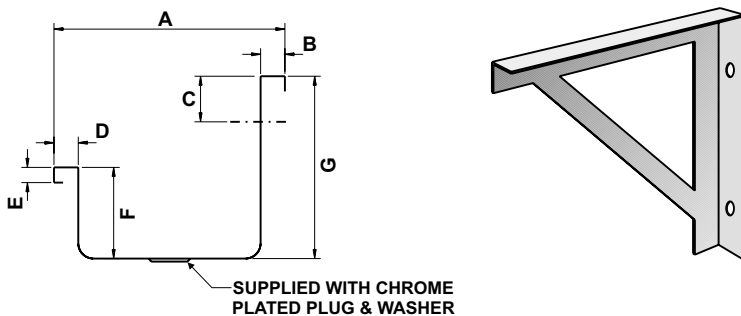
P.W.D Ablution Trough	6
Ablution Trough Pattern No. 1	7
Ablution Trough Pattern No. 2	8
Ablution Trough Pattern No. 3	9
Inset Ablution Trough	10
Commercial Ablution Trough	11
Hob Mount Trough	12
Inset Photographic Trough	13
Wet Rub Trough	14
Drinking Trough	15
Medical Scrub-up Trough	16
Health Commission Cleaners Floor Trough	17
Cleaners Trough	18
Inset Babies Bath	19

P.W.D ABLUTION TROUGH



Features

Designed for schools & child care centres, featuring galvanised gallow support brackets & 25 mm radius corners for easy cleaning, refined finish & child safety.



FEATURES

- Custom manufactured
- Satin finish
- Pipe leg supports available
- Tap holes to customer specification
- Cavity splash back for plumbing requirements

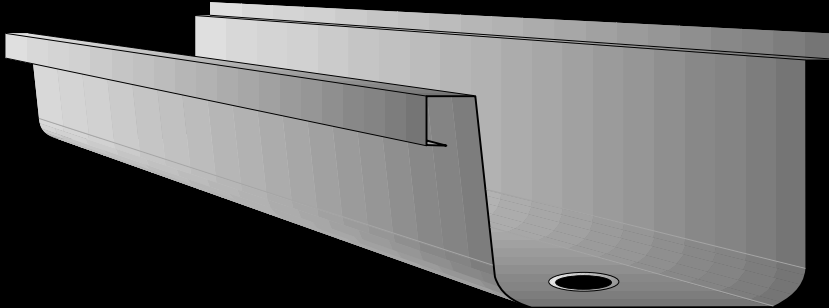
STANDARD SPECIFICATION

- Chrome plated plug and washer
- Galvanised gallow support brackets
- 25 mm radius corners
- Fall 1:80
- 600 mm, 900 mm, 1200 mm, 1500 mm, 1800 mm, 2100 mm & 2400 mm standard lengths
- Manufactured from 1.2 mm 304 #4 stainless steel sheet complying with AS 1449

DRAWING CODE	A	B	C	D	E	F	G	H	I
DIMENSIONS	380 mm	40 mm	75 mm	40 mm	25 mm	150 mm	300 mm	All Standard Lengths	120 mm

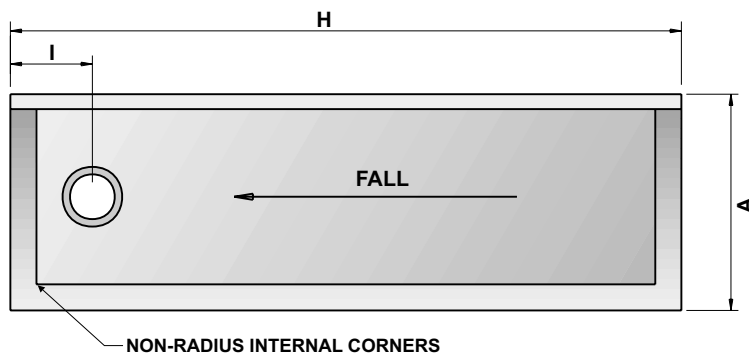
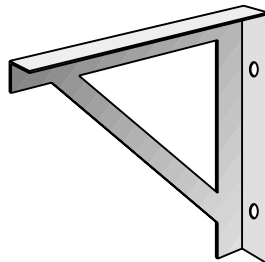
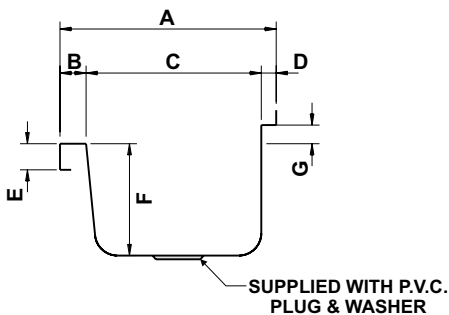
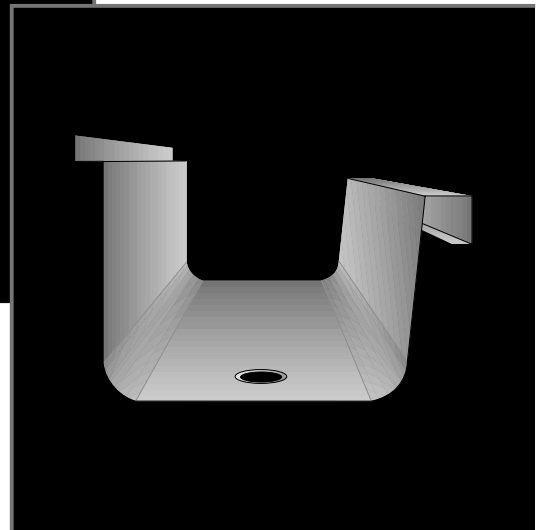
MODEL NO: ABTRPWDSS
09/2004

ABLUTION TROUGH PATTERN NO. 1



Features

Features galvanised gallow support brackets
a sturdy design for industrial purposes



FEATURES

- Custom manufactured
- Satin finish
- Pipe leg supports available

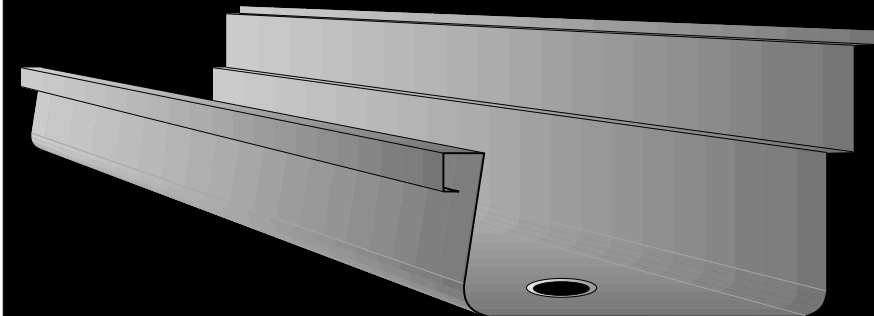
STANDARD SPECIFICATION

- PVC plug and washer
- Galvanised gallow support brackets
- Fall 1:80
- 600 mm, 900 mm, 1200 mm, 1500 mm, 1800 mm, 2100 mm & 2400 mm standard lengths
- Manufactured from 1.2 mm 304 #4 stainless steel sheet complying with AS 1449

DRAWING CODE	A	B	C	D	E	F	G	H	I
DIMENSIONS	290 mm	40 mm	235 mm	20 mm	30 mm	150 mm	25 mm	All Standard Lengths	110 mm

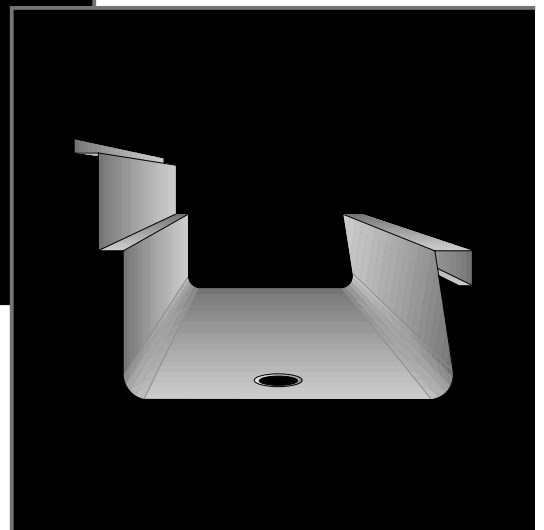
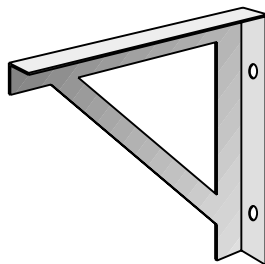
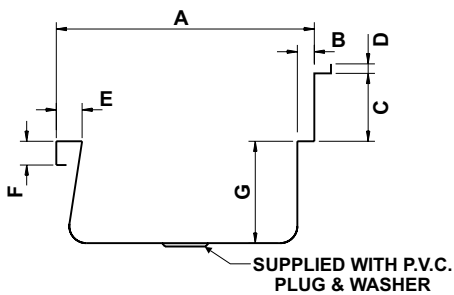
MODEL NO: ABTRPA1SS
09/2004

ABLUTION TROUGH PATTERN NO.2



Features

Features galvanised gallow support brackets a sturdy design for industrial purposes

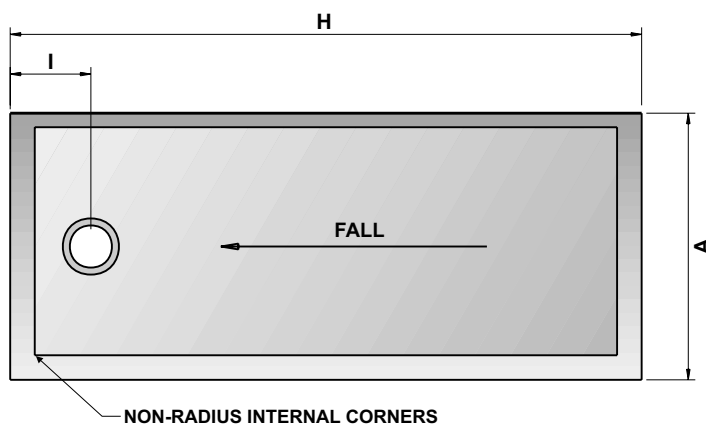


FEATURES

- Custom manufactured
- Satin finish
- Pipe leg supports available
- Tap holes to customer specification

STANDARD SPECIFICATION

- PVC plug and washer
- Galvanised gallow support brackets
- Anti splash front
- 100 mm high splash back
- Fall 1:80
- 600 mm, 900 mm, 1200 mm, 1500 mm, 1800 mm, 2100 mm & 2400 mm standard lengths
- Manufactured from 1.2 mm 304 #4 stainless steel sheet complying with AS 1449



DRAWING CODE	A	B	C	D	E	F	G	H	I
DIMENSIONS	400 mm	25 mm	100 mm	12 mm	40 mm	30 mm	150 mm	All Standard Lengths	115 mm

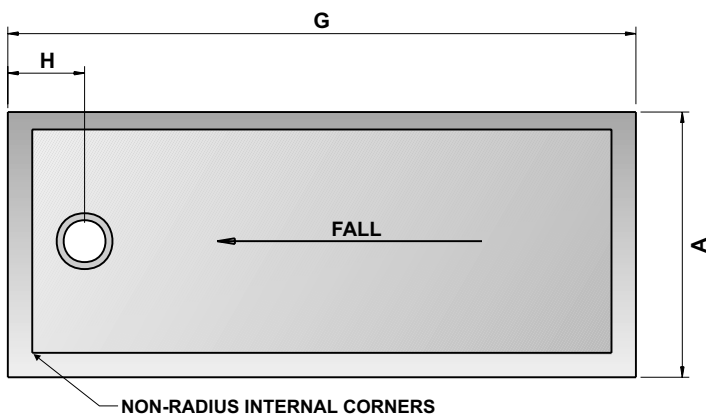
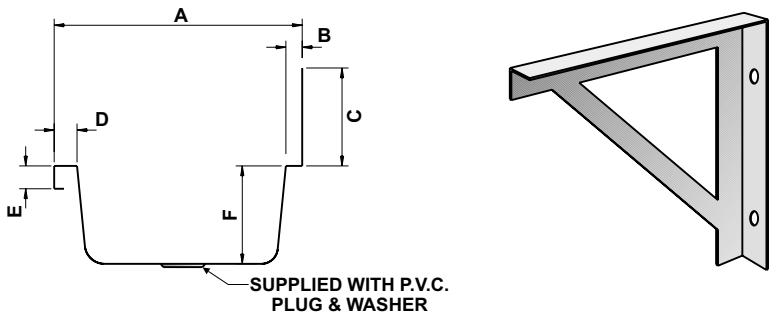
MODEL NO: ABTRPA2SS
09/2004

ABLUTION TROUGH PATTERN NO.3



Features

Features galvanised gallow support brackets a sturdy design for industrial purposes



FEATURES

- Custom manufactured
- Satin finish
- Pipe leg supports available
- Tap holes to customer specification

STANDARD SPECIFICATION

- PVC plug and washer
- Galvanised gallow support brackets
- 150 mm high splash back
- Fall 1:80
- 600 mm, 900 mm, 1200 mm, 1500 mm, 1800 mm, 2100 mm & 2400 mm standard lengths
- Manufactured from 1.2 mm 304 #4 stainless steel sheet complying with AS 1449

DRAWING CODE	A	B	C	D	E	F	G	H
DIMENSIONS	380 mm	25 mm	150 mm	40 mm	30 mm	150 mm	All Standard Lengths	110 mm

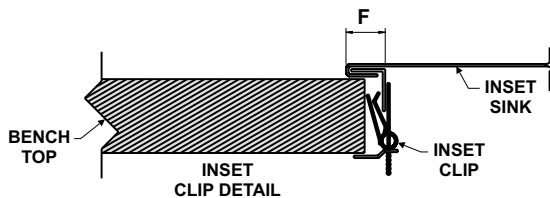
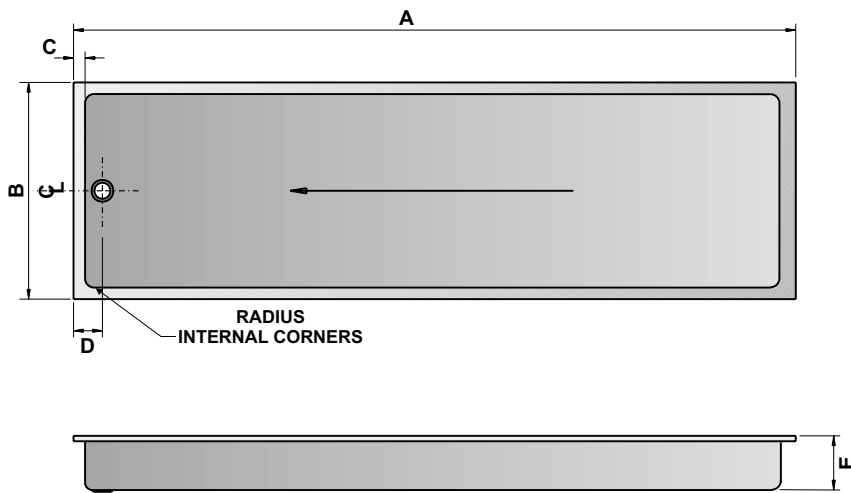
MODEL NO: ABTRPA3SS
09/2004

INSET ABLUTION TROUGH



Features

Features a sturdy inset design for industrial purposes.



FEATURES

- Custom manufactured
- Satin finish
- Inset clips
- Poly propylene or PVC plug and washer

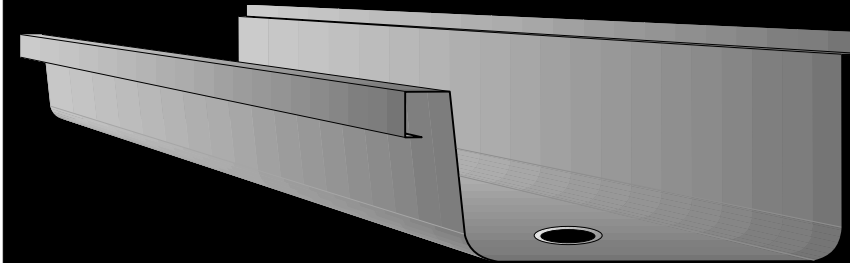
STANDARD SPECIFICATION

- 25 mm radius corners
- Fall 1:80
- 600 mm, 900 mm, 1200 mm, 1500 mm, 1800 mm, 2100 mm & 2400 mm standard lengths
- Manufactured from 1.2 mm 304 #4 stainless steel sheet complying with AS 1449

DRAWING CODE	A	B	C	D	E	F
DIMENSIONS	All Standard Lengths	404 mm	32 mm	80 mm	150 mm	32 mm

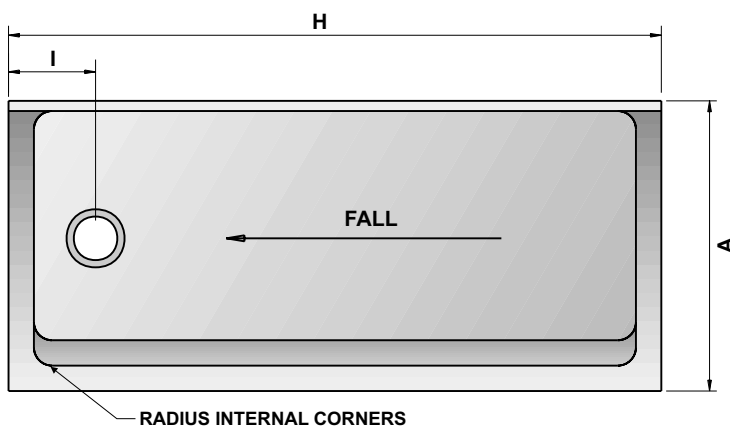
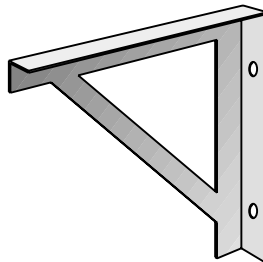
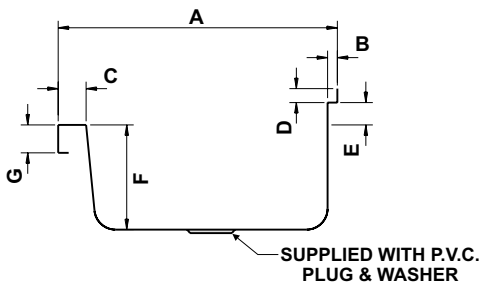
MODEL NO: ABTRINSSS
09/2004

COMMERCIAL ABLUTION TROUGH



Features

Designed for schools and public toilets, featuring galvanised gallow support brackets & radius internal corners for easy cleaning



FEATURES

- Custom manufactured
- Satin finish
- Pipe leg supports available
- Designed for schools and public amenities

STANDARD SPECIFICATION

- PVC plug and washer
- Galvanised gallow support brackets
- Radius internal corners
- Fall 1:80
- 600 mm, 900 mm, 1200 mm, 1500 mm, 1800 mm, 2100 mm & 2400 mm standard lengths
- Manufactured from 1.2 mm 304 #4 stainless steel sheet complying with AS 1449

DRAWING CODE	A	B	C	D	E	F	G	H	I
DIMENSIONS	380 mm	14 mm	40 mm	20 mm	32 mm	150 mm	30 mm	All Standard Lengths	120 mm

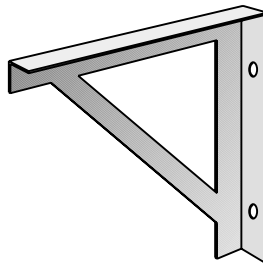
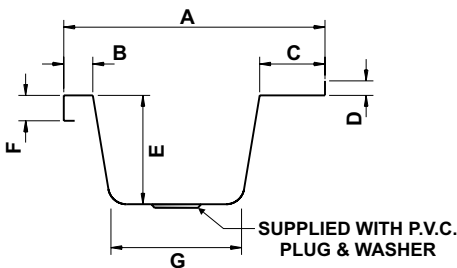
MODEL NO: ABTRCOMSS
09/2004

HOB MOUNT TROUGH



Features

Designed for schools & public toilets, featuring galvanised gallow support brackets & radius internal corners for easy cleaning

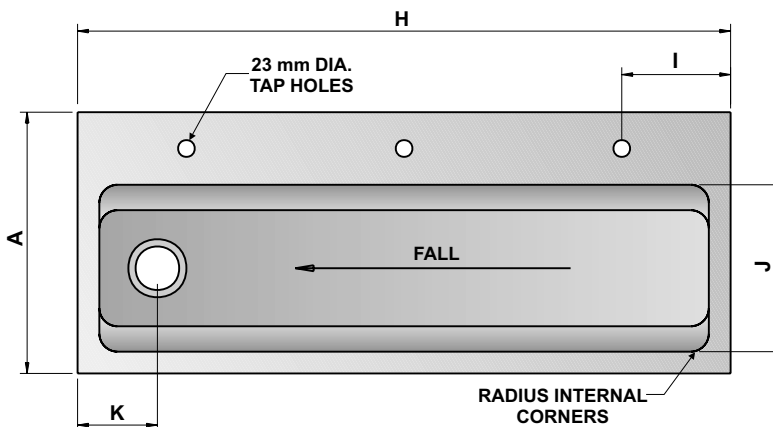


FEATURES

- Custom manufactured
- Satin finish
- Tap holes to customer specification
- Designed for schools and public amenities

STANDARD SPECIFICATION

- PVC plug and washer
- Galvanised gallow support brackets
- Radius internal corners
- Fall 1:80
- 600 mm, 900 mm, 1200 mm, 1500 mm, 1800 mm, 2100 mm & 2400 mm standard lengths
- Manufactured from 1.2 mm 304 #4 stainless steel sheet complying with AS 1449



DRAWING CODE	A	B	C	D	E	F	G	H	I	J	K
DIMENSIONS	360	40	90	20	150	30	180	All Standard Lengths	150	230	110

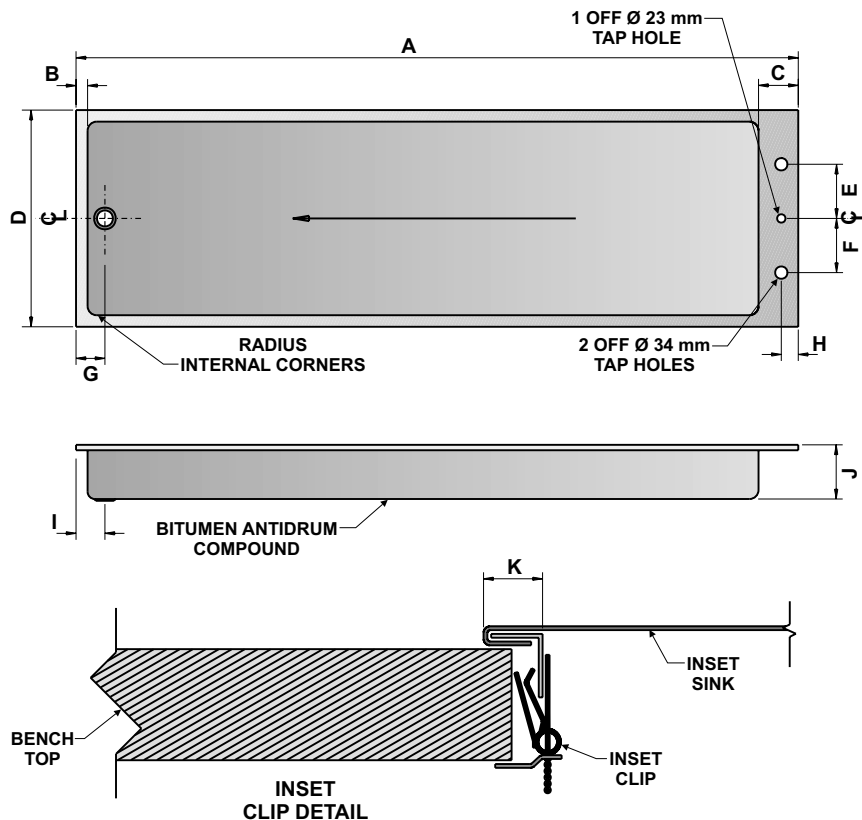
MODEL NO: ABTRHOBSS
09/2004

INSET PHOTOGRAPHIC TROUGH



Features

Specifically designed for photographic applications in schools & laboratories



FEATURES

- Custom manufactured
- Satin finish
- Bitumen antidrum compound

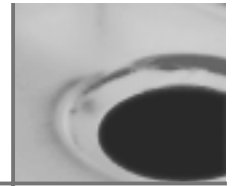
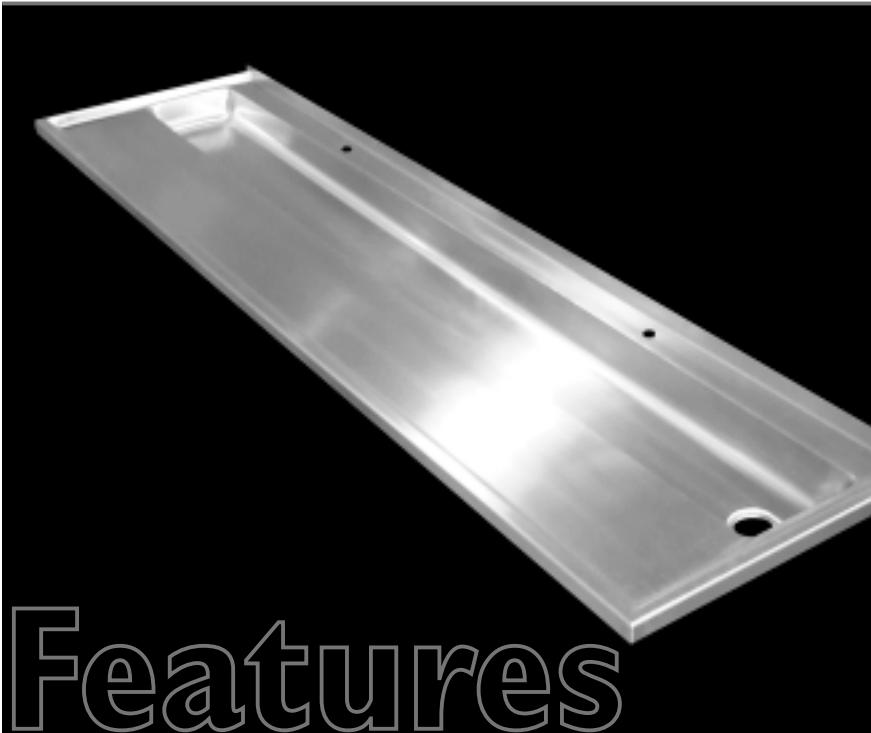
STANDARD SPECIFICATION

- Radius internal corners
- Poly/propylene plug and washer
- Manufactured from 316 #4 stainless steel
- 2000 mm standard lengths, optional designs available
- Manufactured from 1.2 mm 316 #4 stainless steel sheet complying with AS 1449

DRAWING CODE	A	B	C	D	E	F	G	H	I	J	K
DIMENSIONS (mm)	2000	32 Typ.	110	600	150	150	80	47	80	150	15

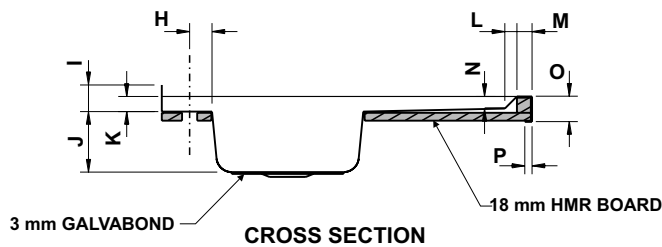
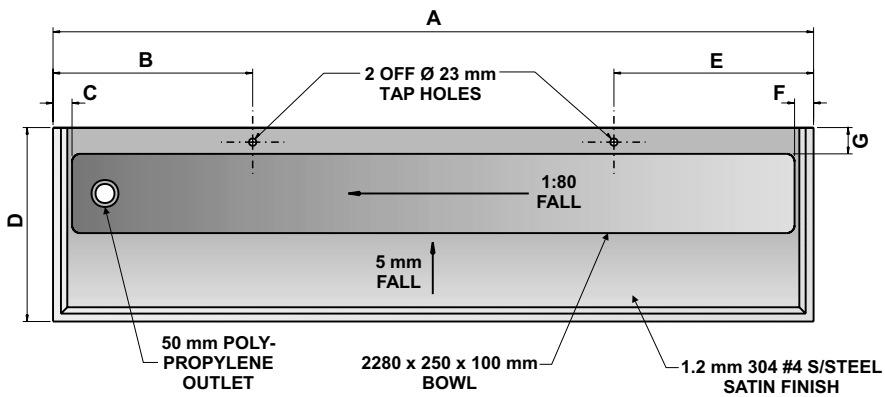
MODEL NO: PHTRSS
09/2004

WET RUB TROUGH



Features

Specifically designed for wet rub applications in schools & industrial factories



FEATURES

- Custom manufactured
- Satin finish
- Left or right hand outlet
- Hob mount tap landing

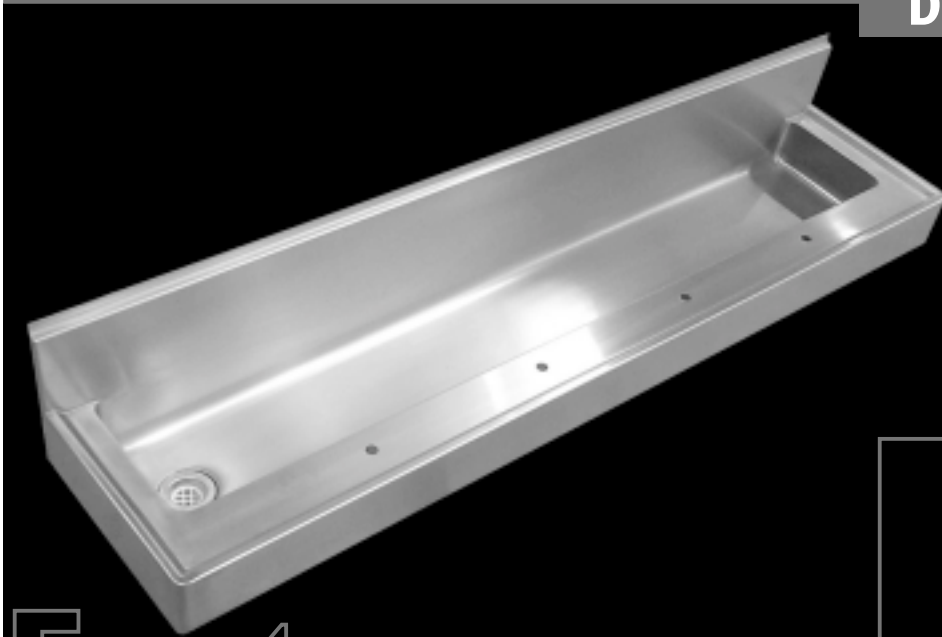
STANDARD SPECIFICATION

- PVC plug and washer
- Radius internal corners
- 2400 mm standard lengths available
- Manufactured from 1.2 mm 304 #4 stainless steel sheet complying with AS 1449

DRAWING CODE	A	B	C	D	E	F	G	H	I	J	K	L	M	N	O	P
DIMENSIONS (mm)	2400	630	60	612	630	60	83	37	44	100	25	20	25	20	42	12

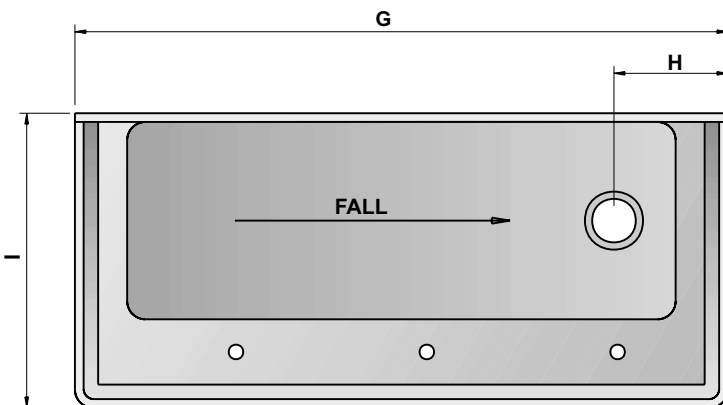
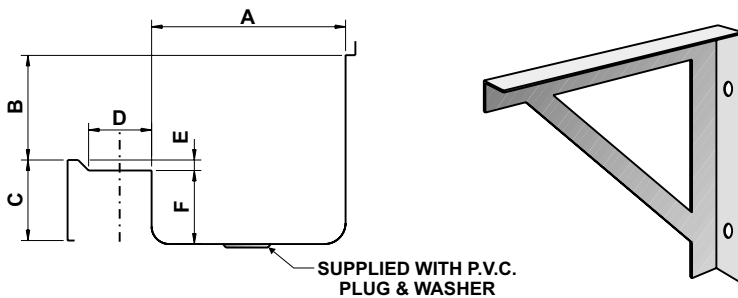
MODEL NO: WRTRSS
09/2004

DRINKING TROUGH



Features

Featuring galvanised gallow support brackets & radius internal corners for easy cleaning



FEATURES

- Custom manufactured
- Satin finish
- Tap holes to customer specification
- Extended front flange to accommodate drinking bubblers
- Stainless steel fascia to conceal plumbing

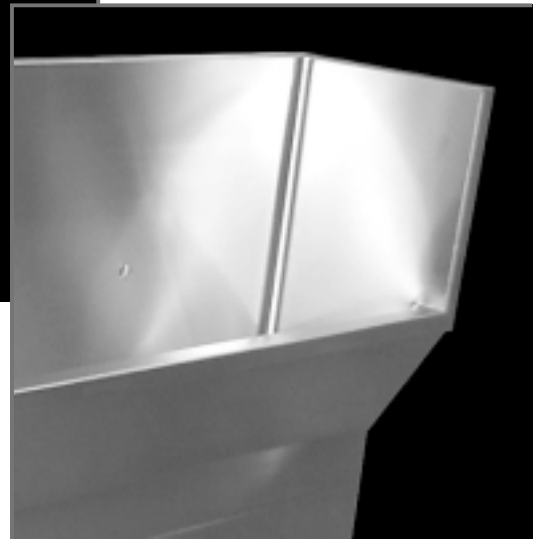
STANDARD SPECIFICATION

- Galvanised gallow support brackets
- Radius internal corners
- Fall 1:100
- 600 mm, 900 mm, 1200 mm, 1500 mm, 1800 mm, 2100 mm & 2400 mm standard lengths
- Manufactured from 1.2 mm 304 #4 stainless steel sheet complying with AS 1449

DRAWING CODE	A	B	C	D	E	F	G	H	I
DIMENSIONS	277 mm	150 mm	115 mm	90 mm	15 mm	125 mm	All Standard Lengths	157 mm	406 mm

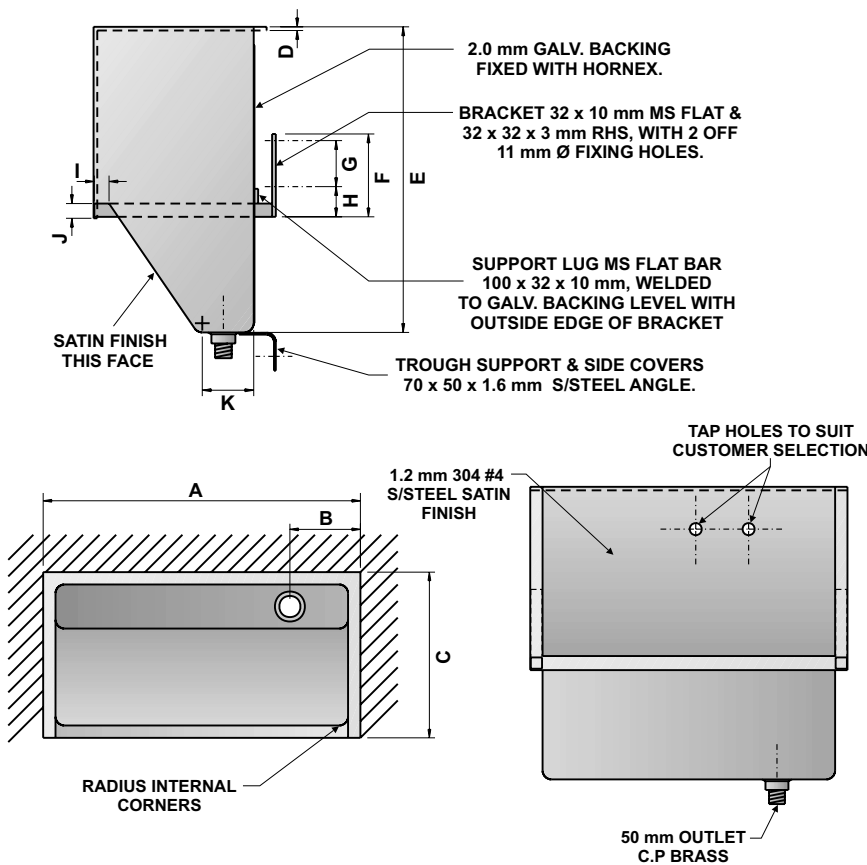
MODEL NO: DRTRSS
09/2004

MEDICAL SCRUB-UP TROUGH



Features

Specifically designed & custom made for medical applications in hospitals, surgeries & clinics



FEATURES

- Custom manufactured
- Satin finish
- Tap holes to customer specification
- Support brackets
- Other designs available

STANDARD SPECIFICATION

- Radius internal corners
- 50 mm chrome plated outlet
- 2.0 mm galv back
- Trough support and side covers
70 x 50 x 1.6 mm stainless steel
- Support lug mild steel flat bar
100 x 32 x 10 mm welded to galv backing
- Custom lengths available
- Manufactured from 1.2 mm 304 #4
stainless steel sheet complying with
AS 1449

DRAWING CODE	A	B	C	D	E	F	G	H	I	J	K
DIMENSIONS	C.L.	200	470	10	830	225	125	82	40	40	140

• C.L. - Custom Lengths

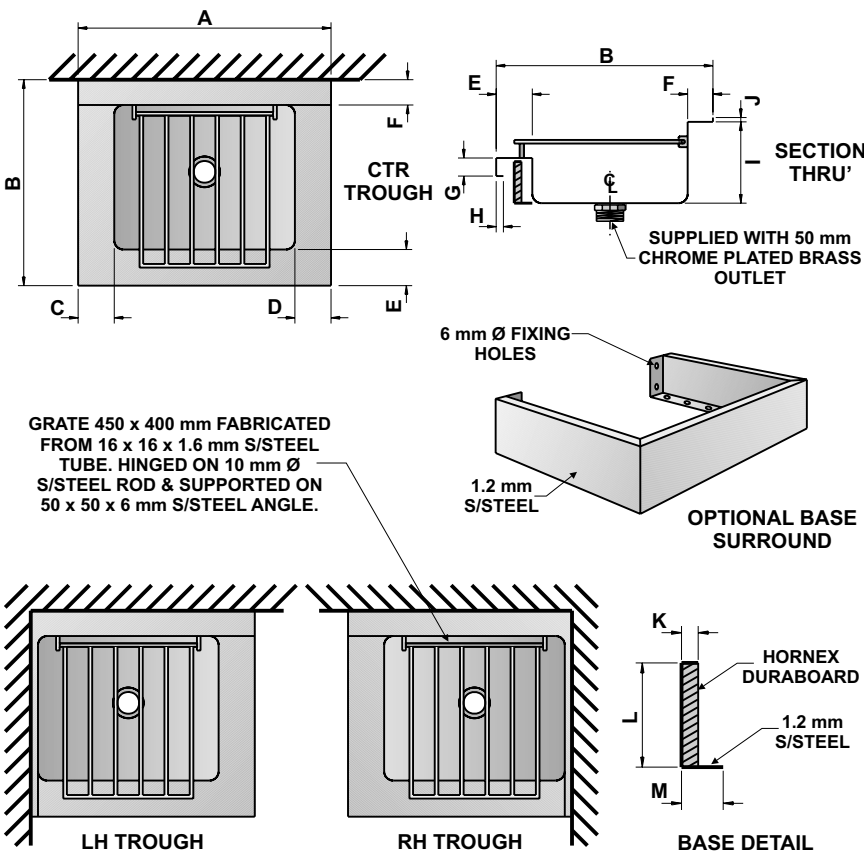
MODEL NO: SUTRSS
09/2004

HEALTH COMMISSION CLEANERS FLOOR TROUGH



Features

Designed for hospitals, nursing homes & health clinics to comply with occupational health & safety regulations



GRATE 450 x 400 mm FABRICATED FROM 16 x 16 x 1.6 mm S/STEEL TUBE. HINGED ON 10 mm Ø S/STEEL ROD & SUPPORTED ON 50 x 50 x 6 mm S/STEEL ANGLE.

FEATURES

- Custom manufactured
- Satin finish
- All stainless steel grate
- Stainless steel hinging system

STANDARD SPECIFICATION

- Chrome plated brass domed outlet
- Radius internal corners
- Optional stainless steel base surround
- Manufactured from 1.2 mm 304 #4 stainless steel sheet complying with AS 1449

DRAWING CODE	A	B	C	D	E	F	G	H	I	J	K	L	M
DIMENSIONS (mm)	700	570	100	100	100	70	50	20	225	12	20	125	50

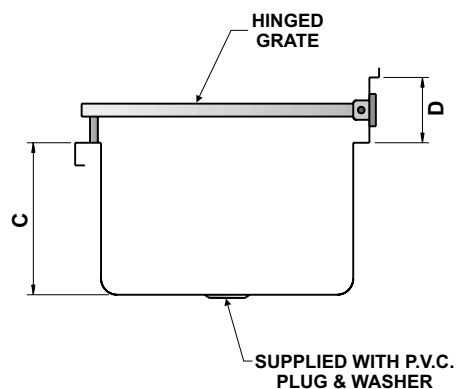
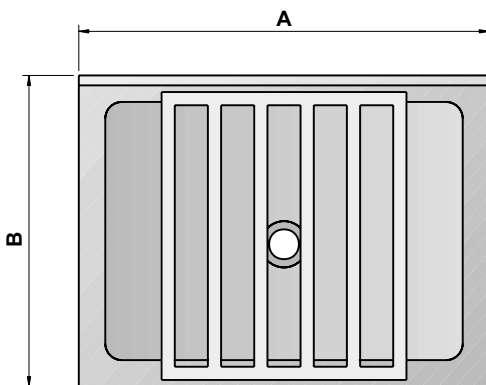
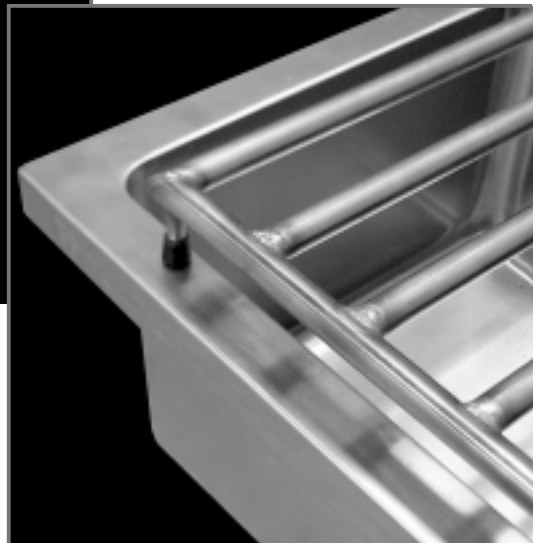
MODEL NO: CLTRHCSS
09/2004

CLEANERS TROUGH



Features

Utilised in hospitals, industrial areas & shopping centres, featuring radius corners for easy cleaning



FEATURES

- Custom manufactured
- Satin finish
- Strong durable stainless steel hinged grate
- Wall brackets or adjustable legs

STANDARD SPECIFICATION

- PVC plug and washer
- Radius internal corners
- Manufactured from 1.2 mm 304 #4 stainless steel sheet complying with AS 1449

DRAWING CODE	A	B	C	D
DIMENSIONS	620 mm	470 mm	235 mm	101 mm

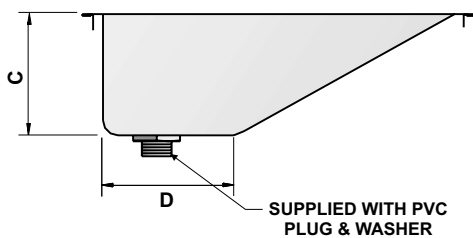
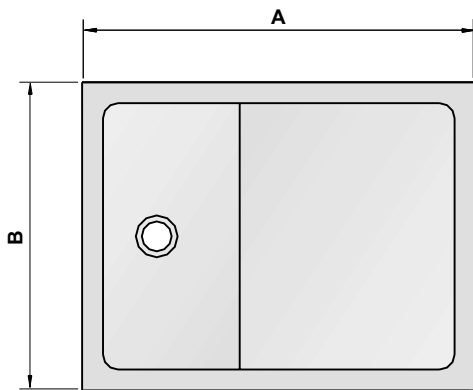
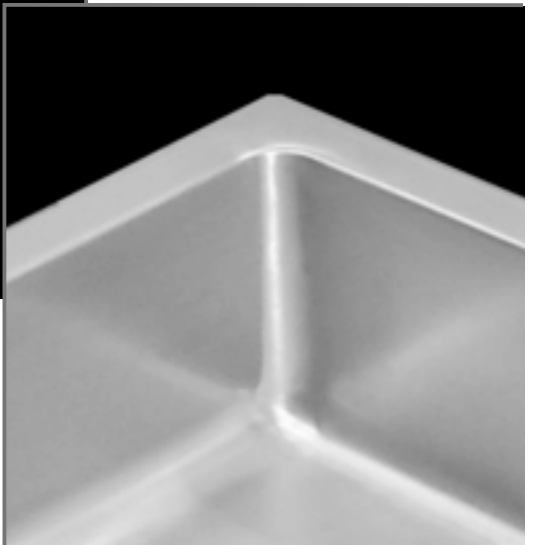
MODEL NO: CLTRSS
09/2004

INSET BABIES BATH



Features

Specifically designed for child care centres & hospitals



FEATURES

- Custom manufactured
- Satin finish

STANDARD SPECIFICATION

- Radius internal corners
- Poly/propylene plug and washer
- Manufactured from 1.2 mm 316 #4 stainless steel sheet complying with AS 1449

DRAWING CODE	A	B	C	D
DIMENSIONS (mm)	660	515	200	230

MODEL NO: BABAINSSS
09/2004