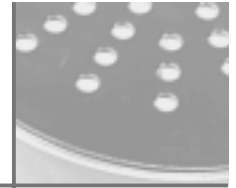


Stratco

Stainless Steel

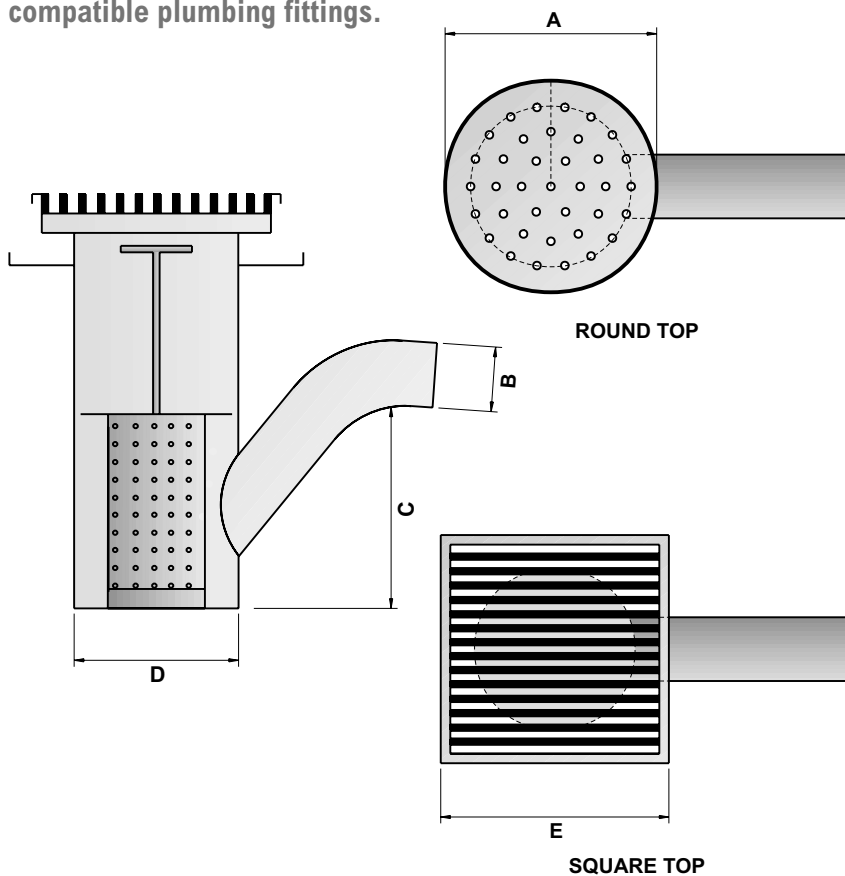
| | |
|-----------------------------------------|----|
| Silt Trap With Bucket & Grate | 42 |
| Laboratory Neutralizer Tank | 43 |
| Plaster Solids Trap Tank | 44 |
| Soil Waste Dump Point Cone | 45 |
| Theatre Floor Waste Flushing Cone | 46 |
| Inwall Tundish | 47 |
| Floor Tundish | 48 |
| Safety Tray | 49 |
| Floor Trench | 50 |

SILT TRAP WITH BUCKET AND GRATE



Features

Designed specifically for silt retention in commercial & industrial applications. All components are fabricated to suit compatible plumbing fittings.



FEATURES

- Custom manufactured
- Holes & spacings to customer specification
- Fabricated from 304 or 316 stainless steel

STANDARD SPECIFICATION

- Round flat grate or square anti slip grate
- Seepage tray available
- Manufactured from 304 or 316 stainless steel sheet complying with AS 1449

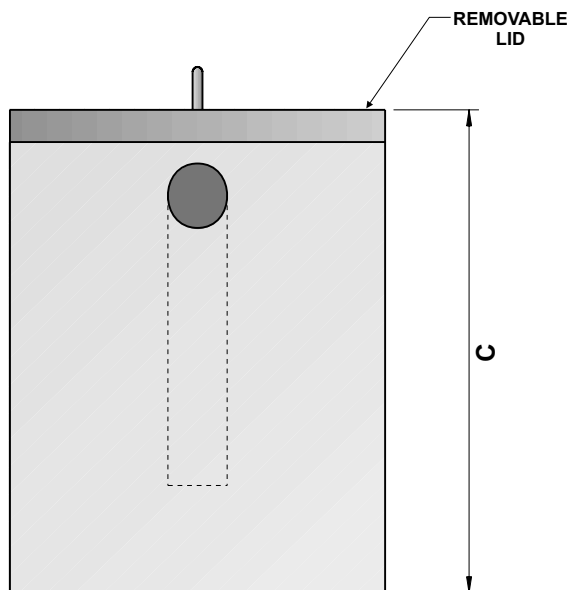
| DRAWING CODE | A | B | C | D | E |
|--------------|--------|----------|--------|--------|--------|
| DIMENSIONS | 332 mm | Ø 100 mm | 300 mm | 254 mm | 350 mm |

MODEL NO: STRPSQSS
09/2004

LABORATORY NEUTRALIZER TANK

Features

Designed specifically for neutralization of acids in commercial & industrial applications, dental, hospitals, & photographic institutions

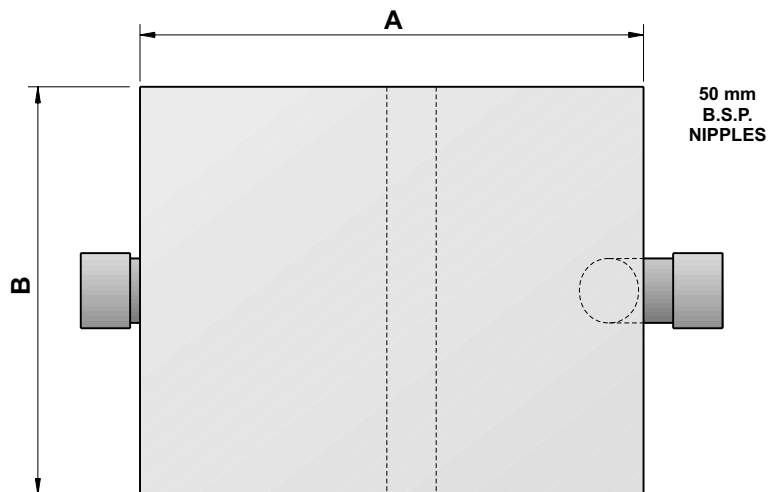


FEATURES

- Custom manufactured
- Satin finish
- 65 litre capacity
- Fabricated from 316 stainless steel

STANDARD SPECIFICATION

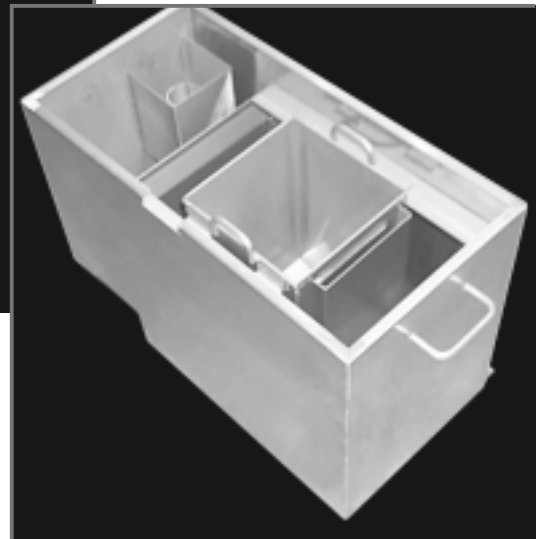
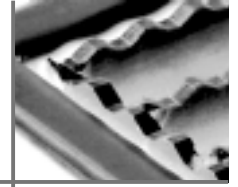
- Removable lid with handle
- Inlet and outlet - 50 mm B.S.P.
- Manufactured from 316 stainless steel sheet complying with AS 1449



| DRAWING CODE | A | B | C |
|--------------|--------|--------|--------|
| DIMENSIONS | 510 mm | 380 mm | 450 mm |

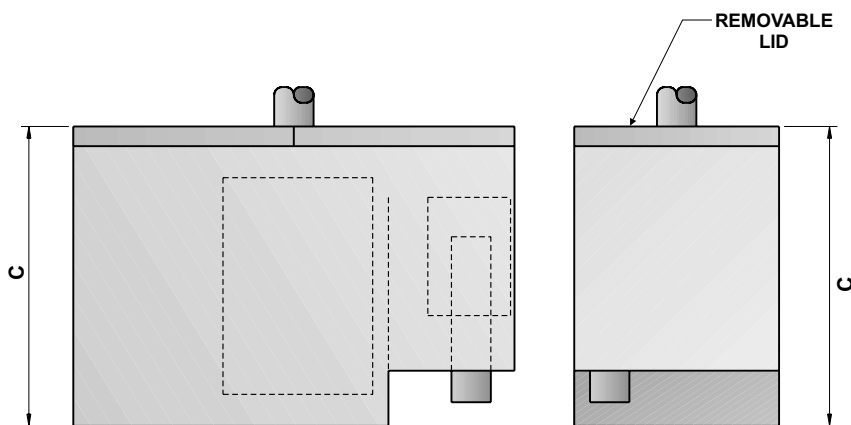
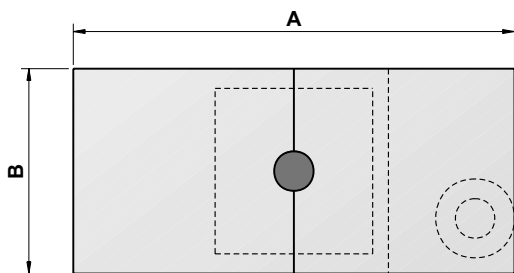
MODEL NO: LNTKSS
09/2004

PLASTER SOLIDS TRAP TANK



Features

Designed specifically for entrapment of water born solids in hospitals, surgeries & laboratories



FEATURES

- Custom manufactured
- Satin finish
- 35 litre capacity
- Fabricated from 1.6 mm 304 stainless steel
- Design can be modified to suit location

STANDARD SPECIFICATION

- Removable split lids
- Inlet and outlet - 50 mm spigot
- Manufactured from 1.2 mm 304 or 316 stainless steel sheet complying with AS 1449

| DRAWING CODE | A | B | C |
|--------------|--------|--------|--------|
| DIMENSIONS | 560 mm | 260 mm | 380 mm |

MODEL NO: PSTTSS
09/2004

SOIL WASTE DUMP POINT CONE

Features

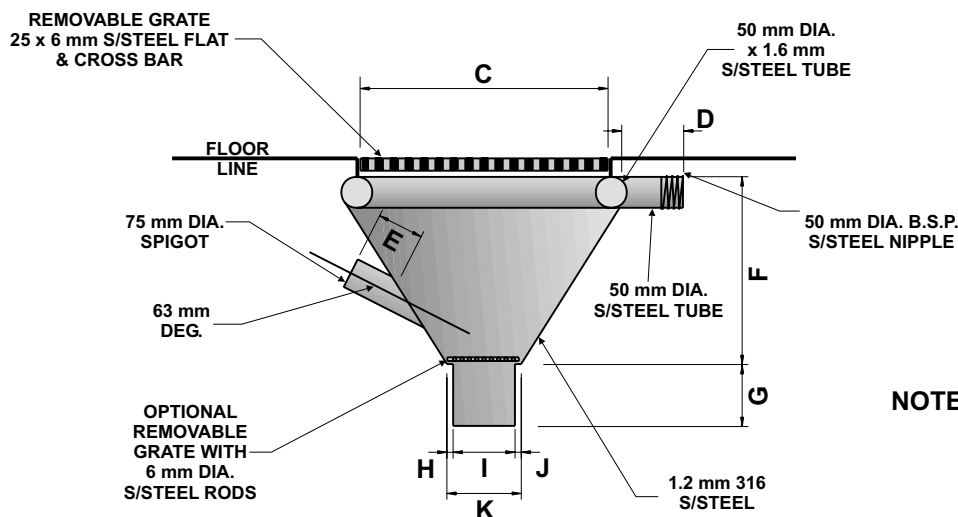
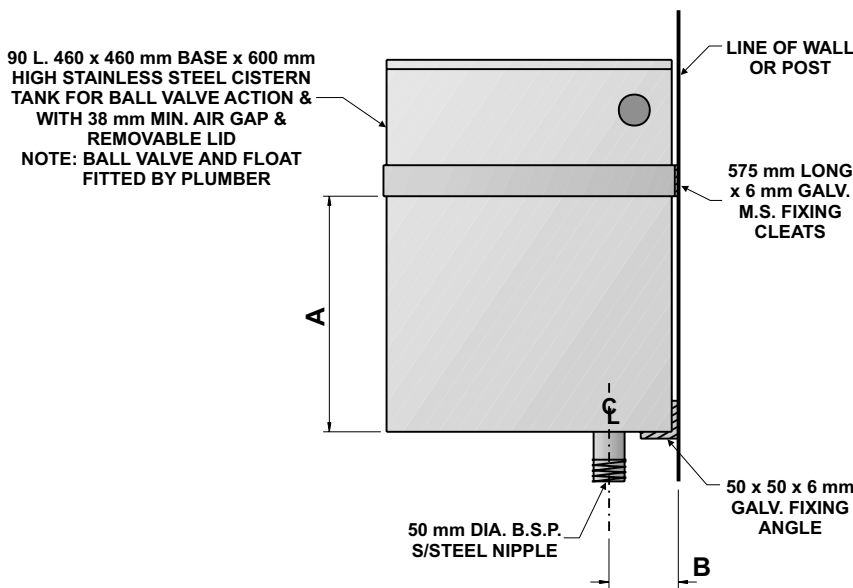
The soil waste dump point cone is specifically designed for vehicle & mobile toilet waste transfer. All components are fabricated to suit compatible plumbing fittings. This design includes a 90 litre stainless steel over head cistern.

FEATURES

- Custom manufactured
- Satin finish
- Flush cone & ring
- Fabricated from 316 #4 stainless steel
- Optional removable grate with 6 mm stainless steel rod

STANDARD SPECIFICATION

- 75 mm dia. spigot
- 50 mm dia. BSP stainless steel nipple
- Cross bar with acid passivated finish
- 90 litre stainless steel cistern
- Galvanised fixing cleats
- Manufactured from 1.2 mm 316 #4 stainless steel sheet complying with AS 1449



SECTION DETAILS

NOTE: ALL EXPOSED SURFACES OF BOWL TO BE SATIN FINISH

| DRAWING CODE | A | B | C | D | E | F | G | H | I | J | K |
|-----------------|-----|-----|-------|-----|----|-----|-----|----|---------|----|-----|
| DIMENSIONS (mm) | 380 | 112 | Ø 400 | 100 | 75 | 303 | 100 | 10 | 100 O/D | 10 | 120 |

MODEL NO: SWDPSS
09/2004

THEATRE FLOOR WASTE FLUSHING CONE

Features

The theatre floor waste flushing cone is specifically designed for hospital theatres, funeral parlours & mortuaries. All components are fabricated to suit compatible plumbing fittings.

FEATURES

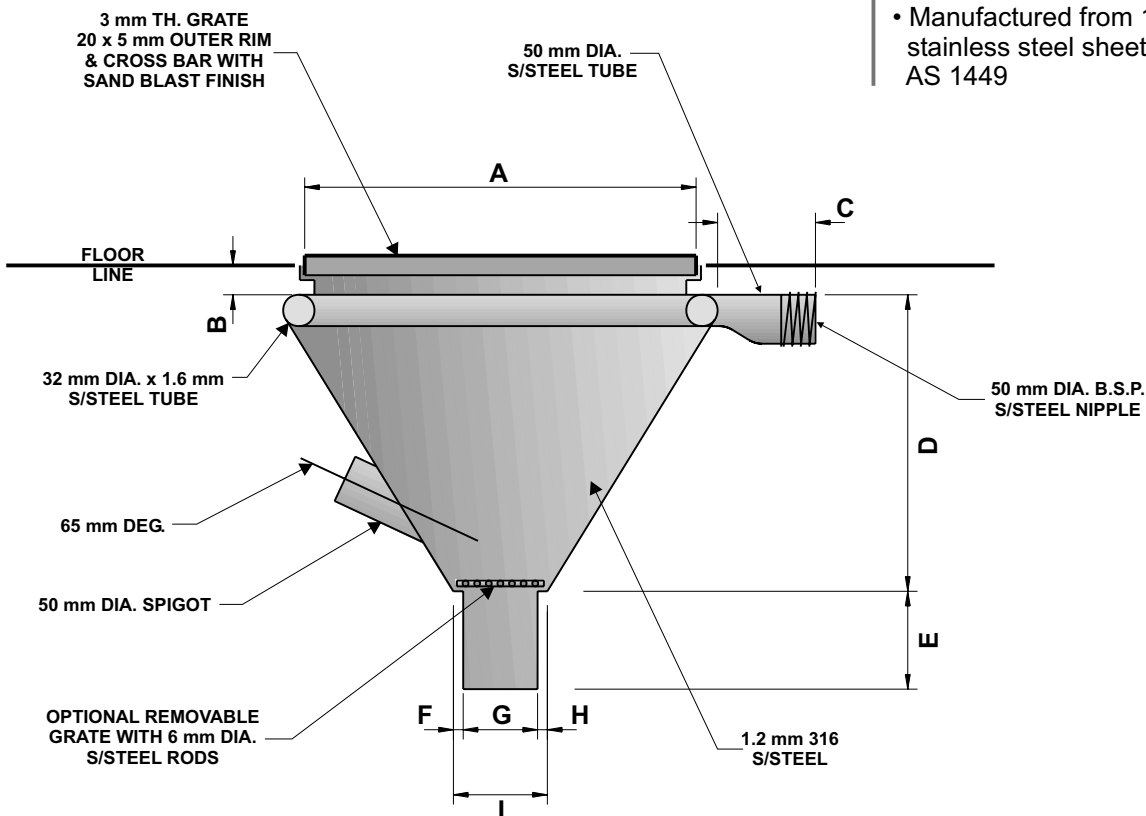
- Custom manufactured
- Satin finish
- Flush cone & ring
- Fabricated from 316 #4 stainless steel
- Optional removable grate with 6 mm stainless steel rod

STANDARD SPECIFICATION

- 50 mm dia. spigot
- 50 mm dia. BSP stainless steel nipple
- Cross bar with acid passivated finish
- Manufactured from 1.2 mm 316 #4 stainless steel sheet complying with AS 1449

SECTION DETAIL

NOTE: ALL EXPOSED SURFACES OF BOWL TO BE SATIN FINISH



| DRAWING CODE | A | B | C | D | E | F | G | H | I |
|--------------|---------|-----|--------|--------|--------|-------|-------|-------|-------|
| DIMENSIONS | Ø400 mm | TBA | 100 mm | 303 mm | 100 mm | 10 mm | 76 mm | 10 mm | 96 mm |

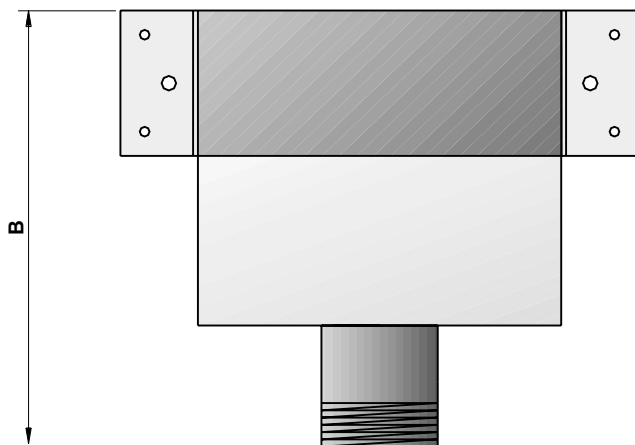
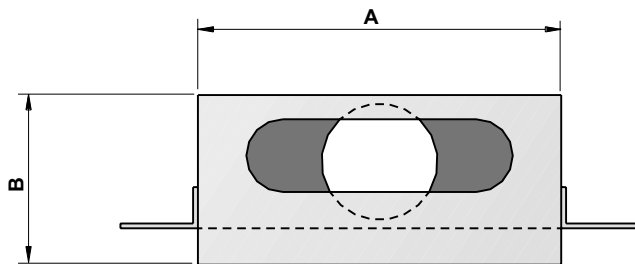
**MODEL NO: TFFWSS
09/2004**

INWALL TUNDISH



Features

Specifically designed for use in refrigeration & airconditioning wastes.



| DRAWING CODE | A | B | C |
|--------------|--------|-------|--------|
| DIMENSIONS | 150 mm | 70 mm | 130 mm |



FEATURES

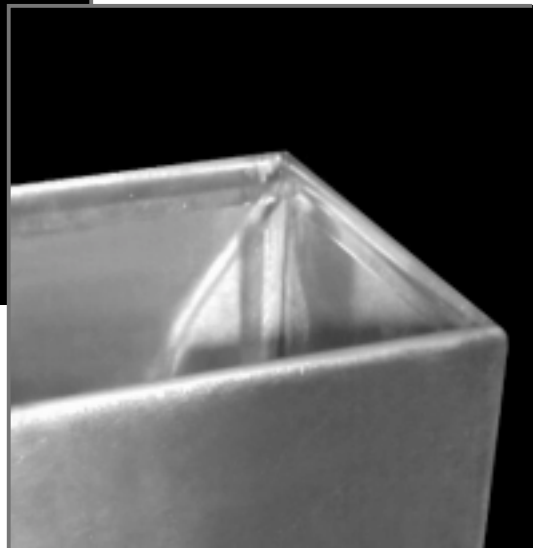
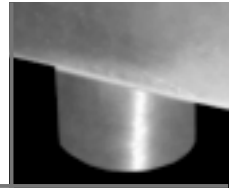
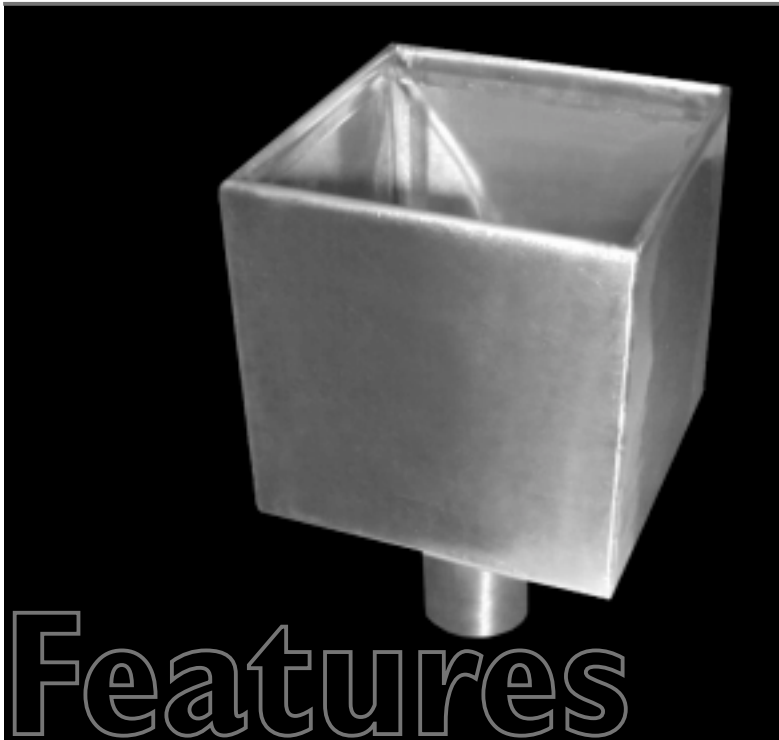
- Satin Finish front cover
- Louvre cover panel or Plain cover panel vented
- 38 mm dia. BSP stainless steel toe nipple

STANDARD SPECIFICATION

- Manufactured from 1.2 mm 304 #4 stainless steel sheet complying with AS 1449

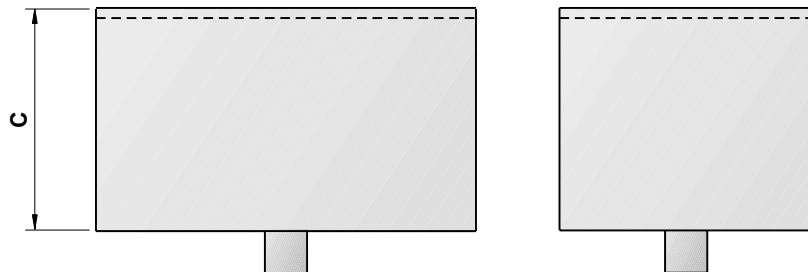
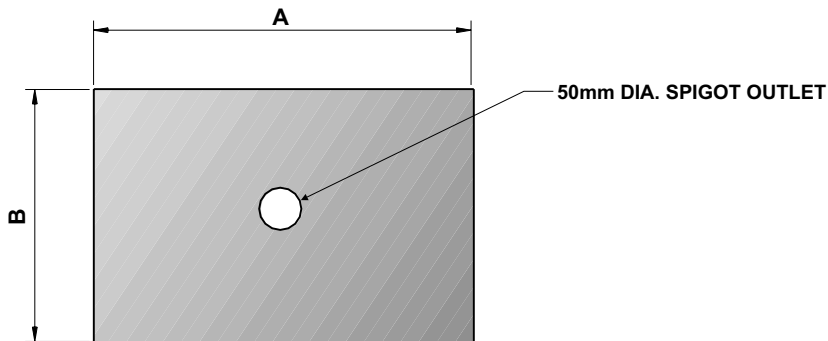
MODEL NO: TUIWSTSS
09/2004

FLOOR TUNDISH



Features

Featuring radius internal corners for hygienic & easy cleaning



FEATURES

- Custom manufactured
- Safety edge around top
- 50 mm dia. spigot outlet
- Outlet position to suit customer requirements

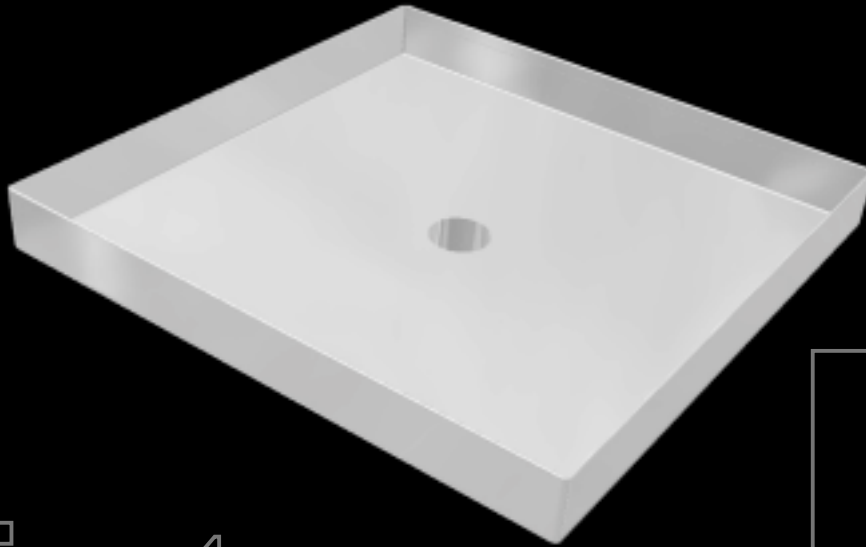
STANDARD SPECIFICATION

- Manufactured from 1.2 mm 316 stainless steel sheet complying with AS 1449

| DRAWING CODE | A | B | C |
|--------------|----------------------|----------------------|----------------------|
| DIMENSIONS | All Standard Lengths | All Standard Lengths | All Standard Lengths |

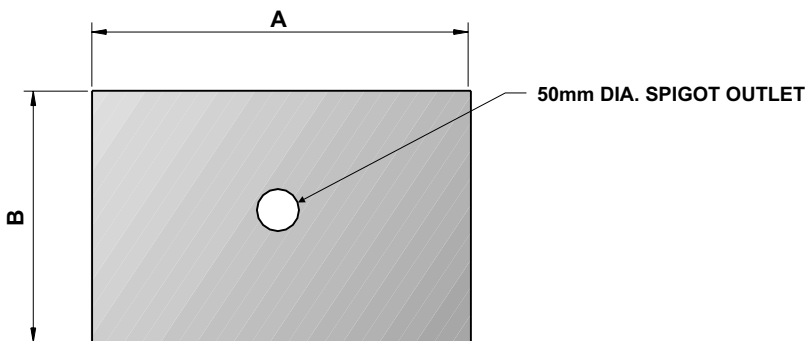
MODEL NO: TUFLSS
09/2004

SAFETY TRAY



Features

Featuring radius internal corners for hygienic & easy cleaning

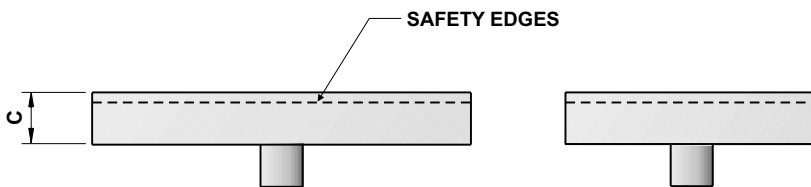


FEATURES

- Custom manufactured
- Safety edge around top
- 50 mm dia. spigot outlet
- Outlet position to suit customer requirements

STANDARD SPECIFICATION

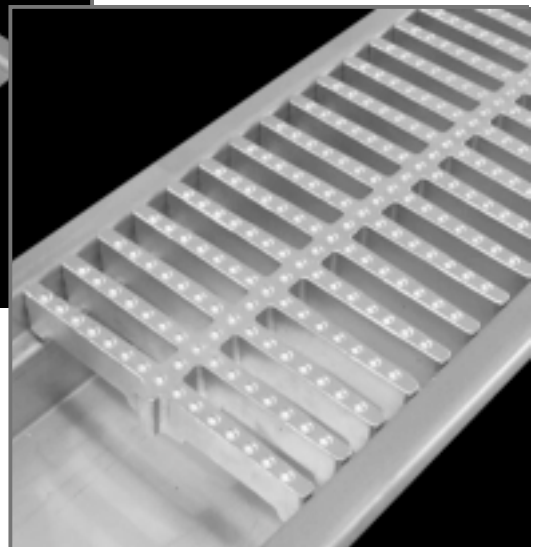
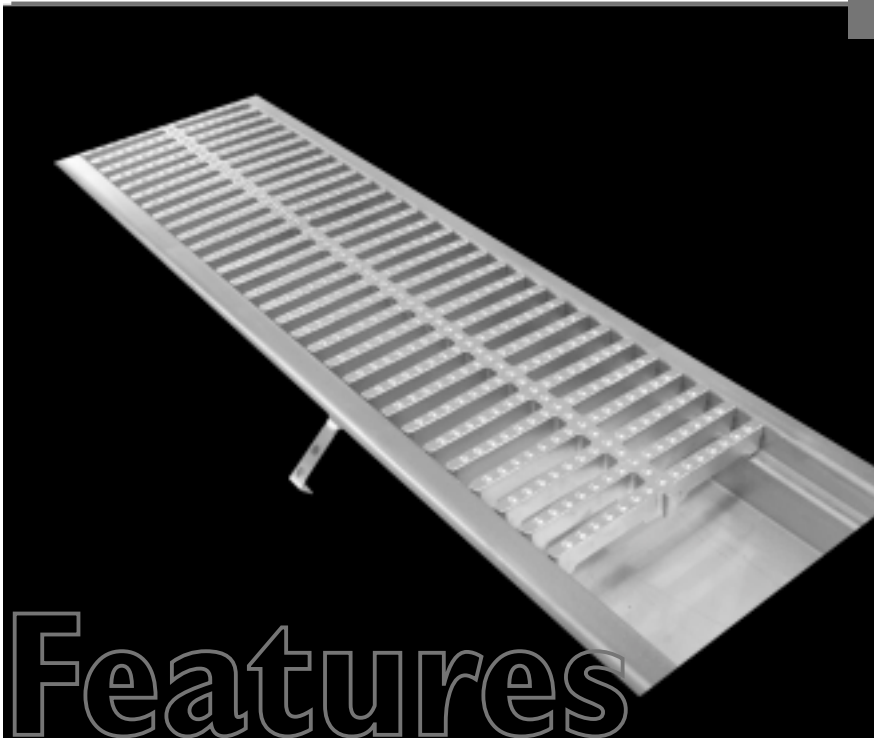
- Manufactured from 1.2 mm 304 #4 stainless steel sheet complying with AS 1449



| DRAWING CODE | A | B | C |
|--------------|----------------------|----------------------|----------------------|
| DIMENSIONS | All Standard Lengths | All Standard Lengths | All Standard Lengths |

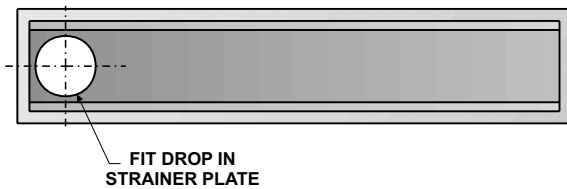
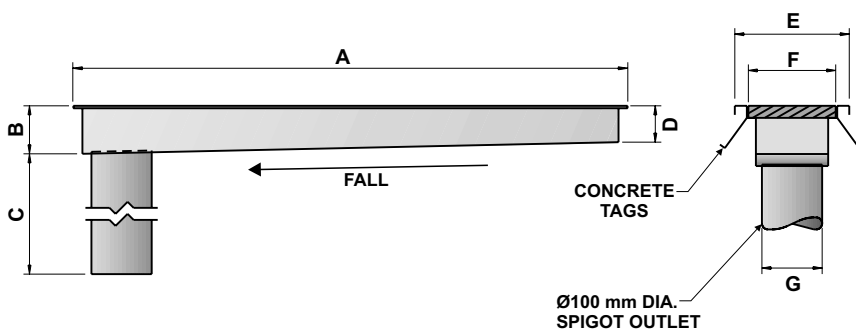
MODEL NO: SATRSS
09/2004

FLOOR TRENCH



Features

Features anti-slip grate & 100 mm outlet, a sturdy design for industrial purposes



FEATURES

- Manufactured up to 6000 mm lengths
- Custom manufactured
- Satin finish
- Stainless Steel cast grate

STANDARD SPECIFICATION

- 1.6 mm 316 stainless steel trough
- 100 mm outlet
- 1:80 fall
- Manufactured from 1.6 mm 316 stainless steel sheet complying with AS 1449

| DRAWING CODE | A | B | C | D | E | F | G |
|-----------------|------|------|-----|------|-----|-----|------|
| DIMENSIONS (mm) | C.L. | C.L. | 100 | C.L. | 230 | 197 | Ø100 |

• C.L. - Custom Lengths

**MODEL NO: FLDRSS
09/2004**