

Stratco

Stainless Steel

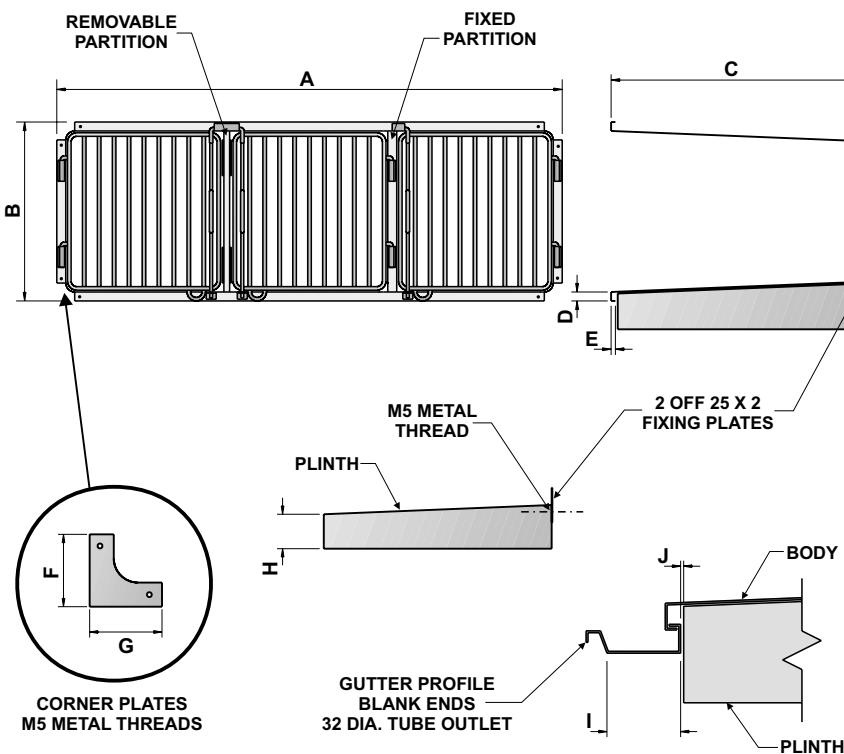
Veterinary Cages	58
Dry / Wet Bench Tops & Stands	59
Bottle & Bed Pan Rack	60
Shower Base	61
Kick Plates	62
Square Pedestal Drinking Fountain	63
Round Pedestal Drinking Fountain	64

VETERINARY CAGES



Features

Specifically designed for veterinary surgeries for containing domestic & other animals



FEATURES

- Custom manufactured
- Satin finish
- Manufactured from 304 #4 stainless steel

STANDARD SPECIFICATION

- Removable or fixed partitions
- Front gutter and 32 dia. tube outlet
- 700 mm, 1050 mm, 1400 mm & 2100 mm standard lengths available
- Manufactured from 1.2 mm 304 #4 stainless steel sheet complying with AS 1449

DRAWING CODE	A	B	C	D	E	F	G	H	I	J
DIMENSIONS	C.L.	500 mm	680 mm	25 mm	12 mm	75 mm	75 mm	100 mm	75 mm	2 mm

• C.L. - Custom Lengths

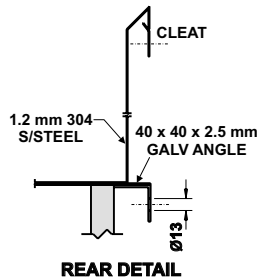
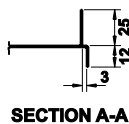
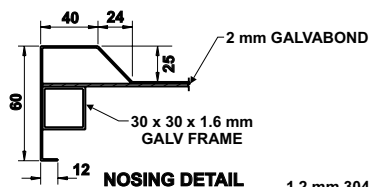
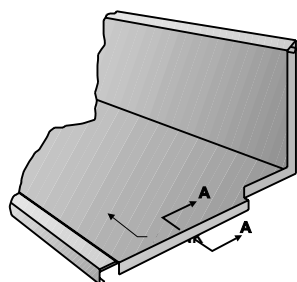
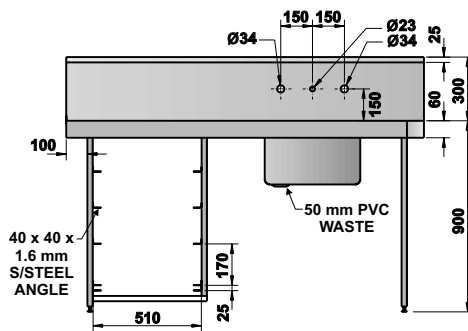
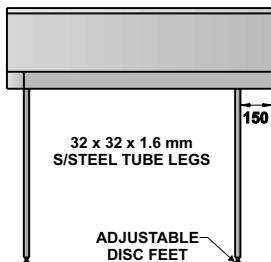
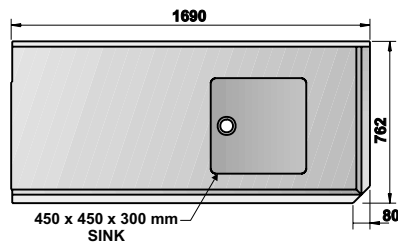
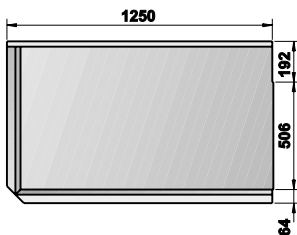
MODEL NO: VETCAGESS
09/2004

DRY / WET BENCH TOPS & STANDS



Features

Features stainless steel square tube stands, a sturdy design for commercial purposes



FEATURES

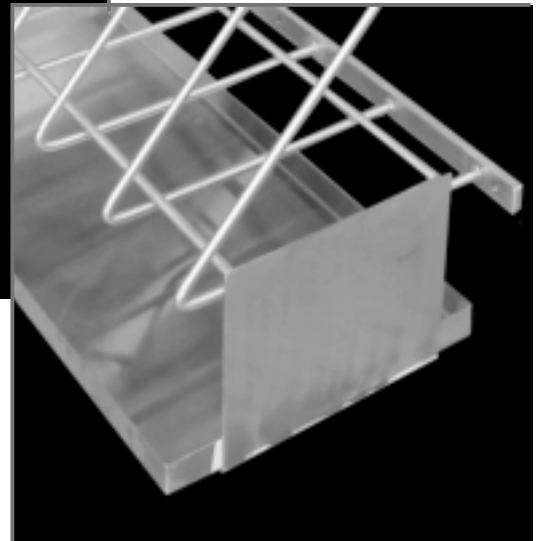
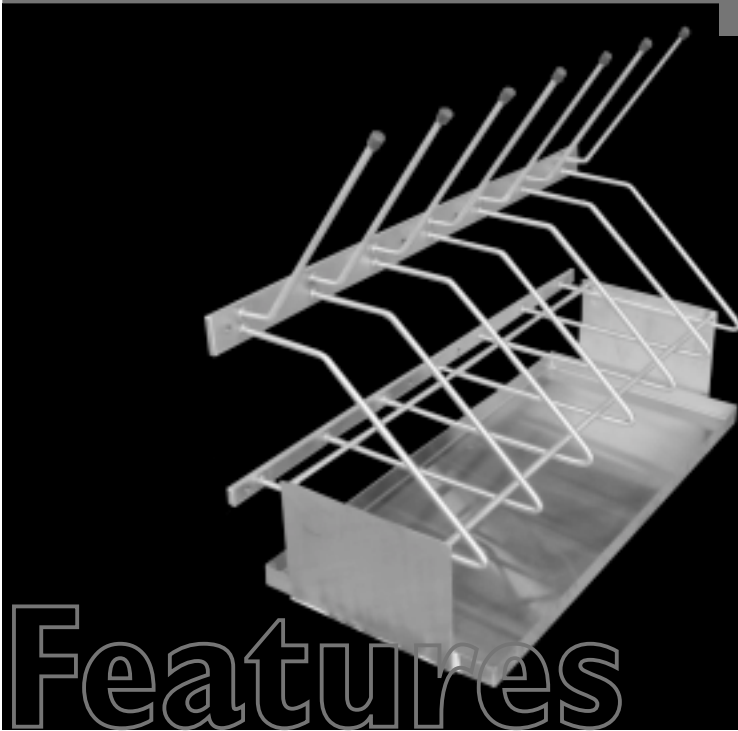
- Custom manufactured
- Satin finish
- Stainless steel square tube stands
- Tap holes to customer specification

STANDARD SPECIFICATION

- PVC or chrome plated brass plug & washer
- Adjustable disc feet
- 300 mm or optional 150 mm high splash back
- Manufactured from 1.2 mm 304 #4 stainless steel sheet complying with AS 1449

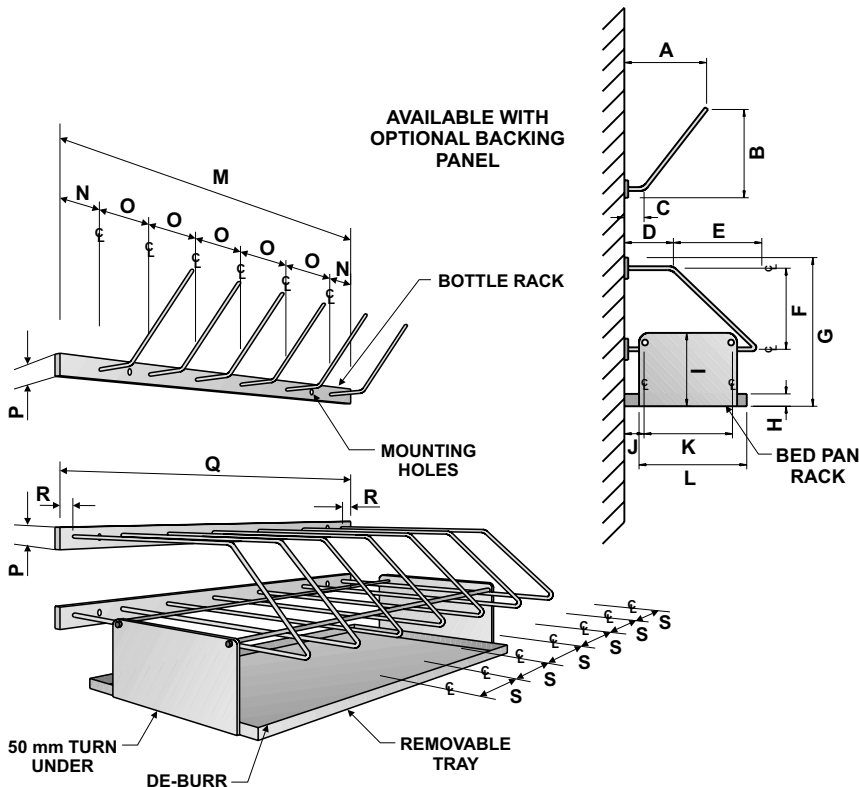
MODEL NO: BENCHUNITSS
09/2004

BOTTLE & BED PAN RACK



Features

Specifically designed for drying bed pans & specimen bottles, this product is applied with sluice sinks & pan room drainers



FEATURES

- Custom manufactured
- Satin finish
- Removable tray

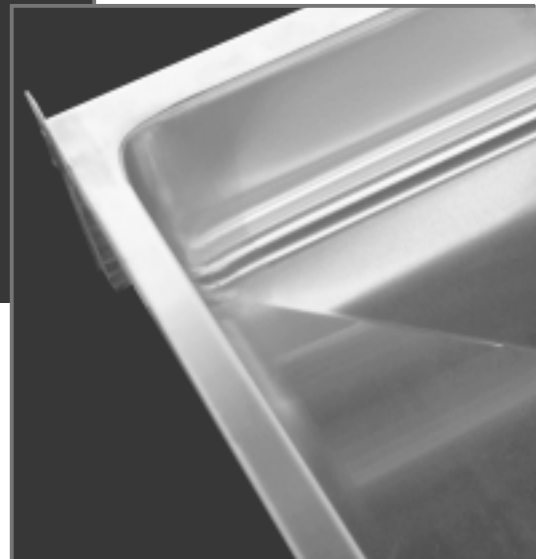
STANDARD SPECIFICATION

- 10 mm 304 grade stainless rod
- Manufactured from 10 mm 304 #4 stainless steel rod complying with AS 1449

DRAWING CODE	A	B	C	D	E	F	G	H	I	J	K	L	M	N	O	P	Q	R	S
DIMENSIONS (mm)	213 O/A	229 O/A	51	127	229	210	385 O/A	32	190	51	229	279	785	63	132	25	812	25	127

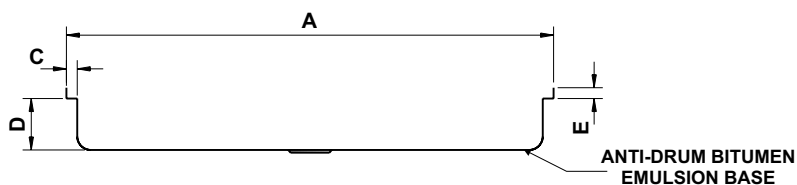
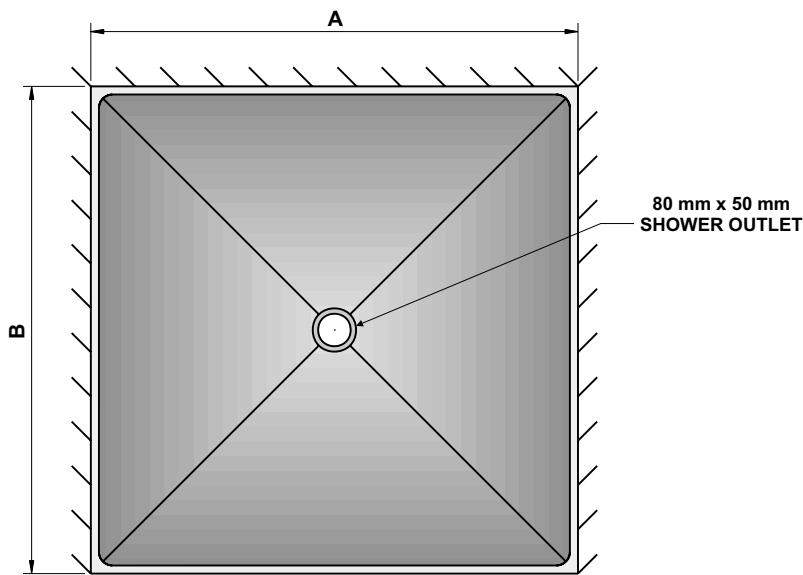
MODEL NO: BPBRSS
09/2004

SHOWER BASE



Features

Featuring radius internal corners for hygienic & easy cleaning



FEATURES

- Custom manufactured
- Satin finish
- Outlet 80 mm x 50 mm
- Anti-drum bitumen emulsion base

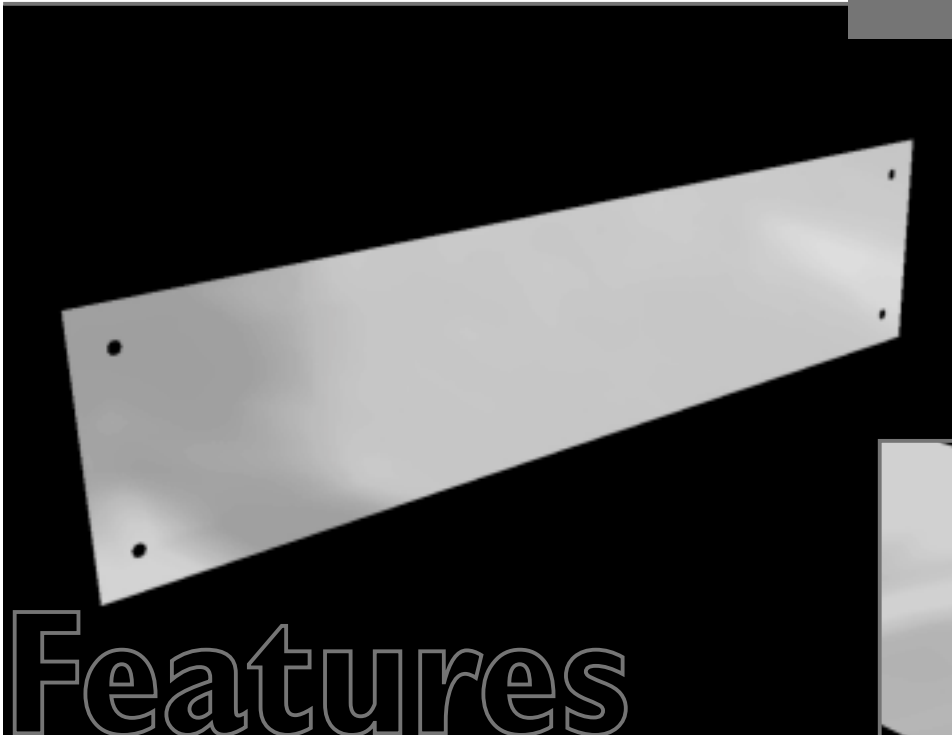
STANDARD SPECIFICATION

- 20 mm tile rebate
- Radius internal corners
- Positive fall with cross break to outlet
- Manufactured from 1.2 mm 304 #4 stainless steel sheet complying with AS 1449

DRAWING CODE	A	B	C	D	E
DIMENSIONS	900 mm	900 mm	20 mm	95 mm	20 mm

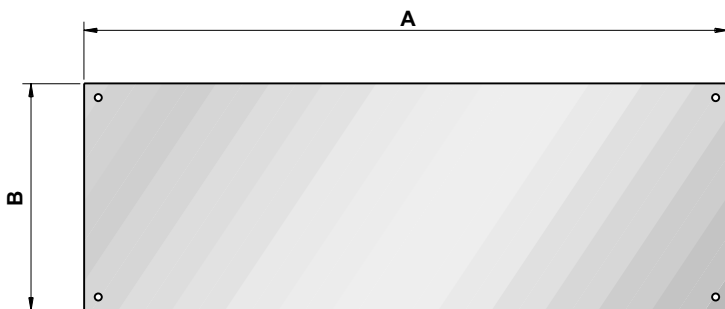
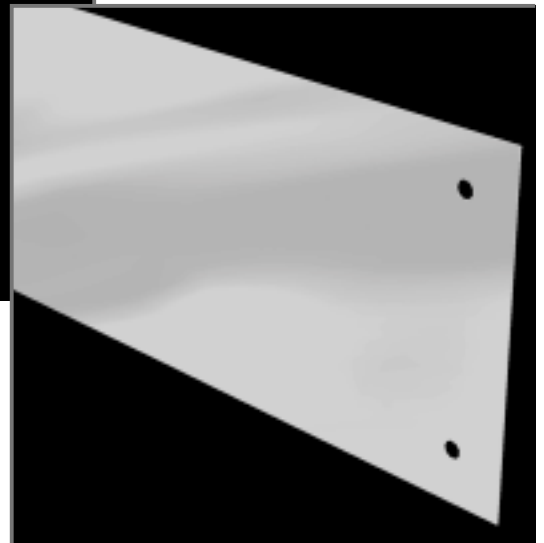
MODEL NO: SBSS
09/2004

KICK PLATE



Features

Featuring radius internal corners for hygienic & easy cleaning



FEATURES

- Custom manufactured
- Satin finish
- Drilled or undrilled as required
- Skirting boards 0.9 mm 304 #4 stainless steel

STANDARD SPECIFICATION

- Manufactured from 0.9 mm or 1.2 mm 304 #4 stainless steel sheet complying with AS 1449

DRAWING CODE	A	B
DIMENSIONS	Custom Lengths	Custom Lengths

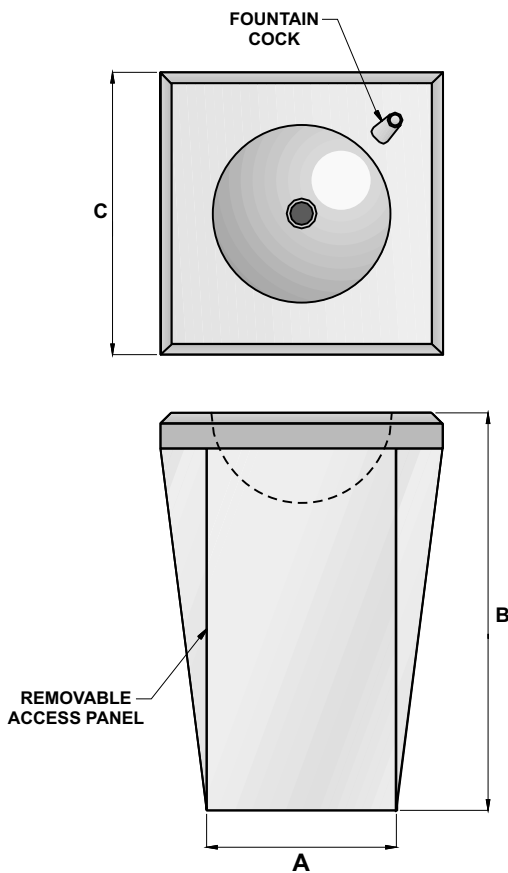
MODEL NO: KIPLSS
09/2004

SQUARE PEDESTAL DRINKING FOUNTAIN



Features

Heavy duty construction, suitable for outdoor use in schools, parks, gardens and reserves.



FEATURES

- No sharp edges
- Vandal proof construction
- Complete with vandal proof drinking faucet
- Quick and easy installation
- Available in 560 mm or 711 mm heights

STANDARD SPECIFICATION

- Manufactured from 1.2 mm 304 #4 stainless steel sheet complying with AS 1449

DRAWING CODE	A	B	C
DIMENSIONS	267 mm	560 mm or 711 mm	400 mm

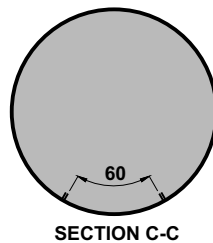
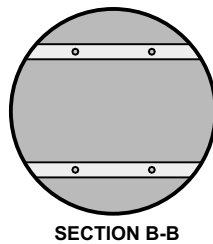
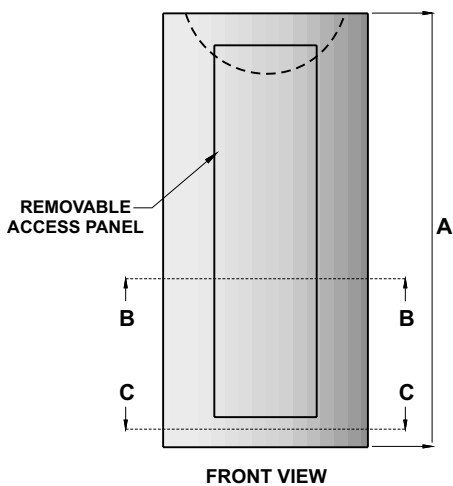
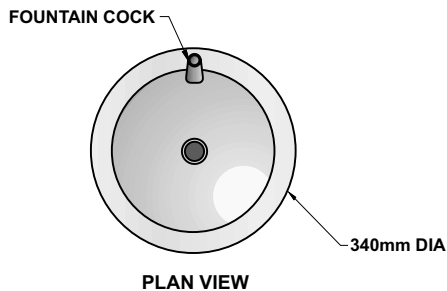
MODEL NO: DRFTSQSS
09/2004

ROUND PEDESTAL DRINKING FOUNTAIN



Features

Heavy duty construction, suitable for outdoor use in schools, parks, gardens and reserves.



FEATURES

- No sharp edges
- Vandal proof construction
- Complete with vandal proof drinking faucet
- Quick and easy installation
- Available in 720 mm heights

STANDARD SPECIFICATION

- Manufactured from 1.2 mm 304 #4 stainless steel sheet complying with AS 1449

DRAWING CODE	A
DIMENSIONS	720 mm

MODEL NO: DRFTRNDSS
09/2004